



Vokèra

24/96 RSE Flowmatic

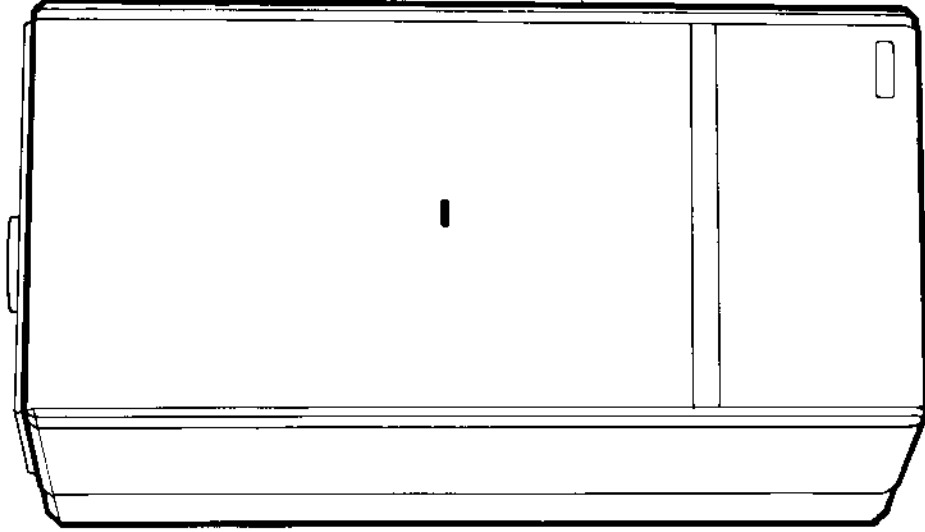
Installation and Servicing Instructions

SERIAL No. NG 2809
TG 0001
LPG 439
UPWARDS

G C No. 4709408
British Gas Tested and Certified
NWC No. 89 11 061

**HAND THESE
INSTRUCTIONS
TO THE USER.**

This Appliance is for use
with Natural Gas only



SECTION 1 INTRODUCTION

The Vokera 24/96 Flowmatic is a combined central heating and domestic hot water appliance. By design it incorporates Full sequence electronic ignition, circulating pump, expansion vessel, safety valve, temperature gauge, pressure gauge and 3 port diverter valve.

It is produced as a room sealed category 1N appliance suitable for wall mounting applications only. It is provided with a fan powered flue outlet with an annular co-axial combustion air intake which can be rotated through 360 degrees.

This appliance is designed for use with a sealed heating system only and is not intended for use on an open vented system. A range-rating facility is incorporated in the boiler for the central heating system in conjunction with the high/low burner control. The domestic hot water (dhw) service utilises a differential water pressure control combined with a 3 port diverter valve to give hot water priority.

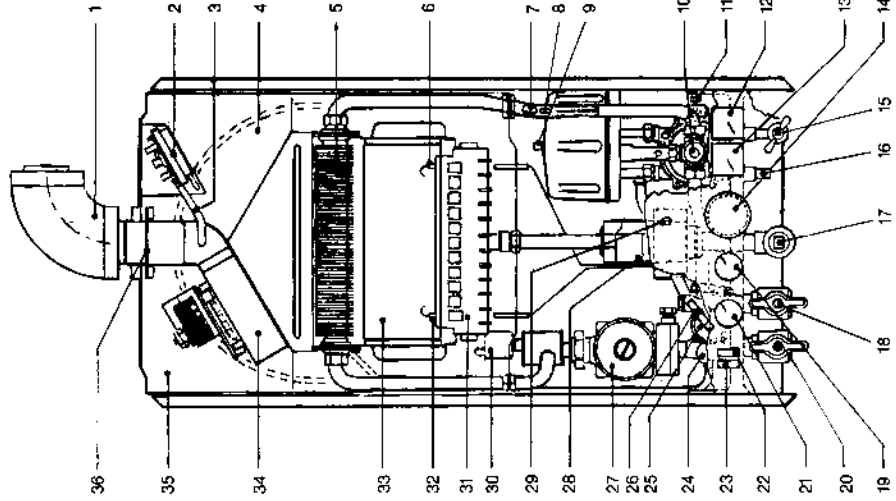


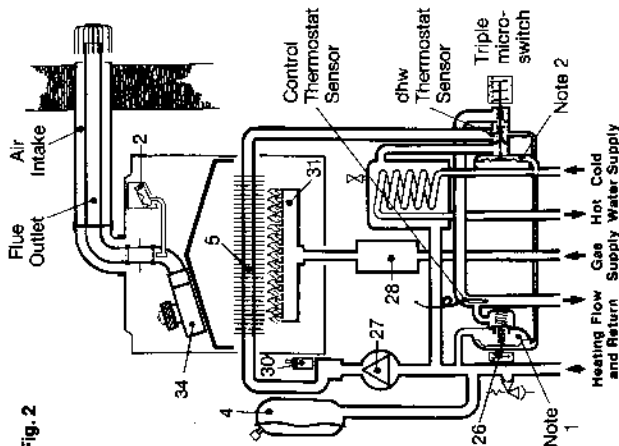
Fig.1 General Layout

- 1 Air Intake
- 2 Pressure Differential Switch
- 3 Silicone Pressure Tube
- 4 Expansion Vessel
- 5 Main Heat Exchanger
- 6 Flame Sensing Electrodes
- 7 Safety Thermostat
- 8 Fan Overrun Stat
- 9 Air Release Valve (dhw Heat Exchanger)
- 10 Three Port Diverter Valve (behind dhw microswitch)
- 11 Dhw Flow Regulator
- 12 Pressure Gauge
- 13 Temperature Gauge
- 14 Time Clock (optional)
- 15 Cold Water Inlet Stopcock
- 16 Hot Water Outlet
- 17 Gas Service Tap
- 18 Central Heating Flow Valve
- 19 Dhw Thermostat
- 20 Central Heating Return Valve
- 21 Central Heating Thermostat
- 22 Mode Selector Switch
- 23 Boiler On/Off Switch
- 24 Safety Valve
- 25 Central Heating Manifold and Auto By-pass Flow Switch (Boiler)
- 26 Pump
- 27 Gas Valve
- 28 High Limit Reset Button
- 29 Automatic Air Release Valve
- 30 Main Burner
- 31 Spark Electrode
- 32 Combustion Chamber
- 33 Fan
- 34 Air Chamber (with front removed)
- 35 Flue Outlet

CONTENTS

Section	Subject	Page No.	Section	Subject	Page No.	
Section 1	Introduction	1	8.14	Refixing the front cover	18	
	General Layout	1		8.15	Fitting optional time clock	18
	Schematic Diagram	2			Section 7 Instructing the User	
Section 2	Design Principles and Operating Sequence		Section 8 Servicing Instructions			
	2.2	Central Heating 2.2.1-2.2.3	8.1	General	19	
	2.3	Domestic Hot Water 2.3.1-2.3.6	8.2	Important Notes	19	
	2.4	Safety Devices	8.3	Recommended Routine Servicing	19	
	Section 3	Technical Data		8.4	To Gain general access	20
		3.1	Units	8.5	To remove/replace room sealed chamber front cover	20
		3.2	Dimensions and Contents	8.6	To remove Main Burner and/or Spark Sensing Electrodes	21
Section 4	General Requirements		8.7	To Remove Main Burner Injectors	21	
	4.1	Related Documents	8.8	To Remove Main Heat Exchanger	21	
	4.2	Location of Appliance	8.9	To Remove Flue Fan	22	
	4.3	Gas Supply	8.10	To Remove Flue Pressure Switch	22	
	4.4	Flue System	8.11	To Remove Combustion Chamber and Insulation Panels	22	
	4.5	Air Supply	8.12	To Remove/Replace Gas Control Valve Modulator and Operators	23	
	4.6	Water Circulation (Central Heating)	8.13	Gas Control Valve	24	
Section 5	Installation		8.14	To Remove Pump	24	
	5.1	Delivery	8.15	To Remove Central Heating Manifold	24	
	5.2	Unpacking	8.16	Removal of Domestic Hot Water Heat Exchanger	25	
	5.3	Preparing for Mounting	8.17	Removal of 3-way Diverting Valve	25	
	5.4	Mounting on Wall	8.18	Removal of Domestic Hot Water Manifold	26	
	5.5	Fitting the Flue	8.19	Removal of Heating Expansion Vessel	26	
	5.6	Connecting the gas and water supplies	8.20	Removal of DHW Expansion Vessel	27	
Section 6	Commissioning and Testing		8.21	Removal of Safety Valve	27	
	6.1	Reference Diagram	8.22	Removal of Electrical Components	27	
	6.2	Gas Installation	8.23	Removal of Mechanical Instruments and Components	29	
	6.3	Central Heating System	8.24	Setting Gas Pressures	30	
	6.4	Electrical Supply	Section 9 Operation Checks, Wiring Diagrams & Fault Finding			
	6.5	Lighting the boiler and main burner adjustment	Fault finding Charts			
	6.6	Checking burner pressures	33 - 38			
Section 7	Final Checks and Concluding operations		Section 10 Appendix			
	7.1	Final flushing of the heating system	Instructions for fitting Optional Time Clocks			
	7.2	Final flushing of the heating system	Exploded Diagrams			
	7.3	Filling/testing and regulating the Domestic Hot Water System	Short Spare Parts List			
	7.4	Final check of operations	Functional Flow Diagram			
	7.5	Concluding operations	General layout of wiring from Printed Circuit Board			
	7.6	Concluding operations	Illustrated Wiring Diagram			

Fig. 2



Notes

1. Differential pressure unit. Senses water flow rate through pump & main heat exchanger and operates flow switch (26)
2. Differential pressure unit. Senses domestic hot water flow rate and operates 3 port valve/triple microswitch

Fig. 1

illustrates the general layout of components. Fig. 2 illustrates the operating principles described below.

Central Heating Mode

- 2.2 When various switches and controls impose a demand for heat the pump is started. The flow of water from the pump operates the flow switch. After a short delay (approximately 2 minutes), the relay is energised which in turn starts the fan. This energises the gas valve at an intermediate rate and the electronic ignition circuitry allowing an ignition attempt. The burner ignition is checked by the electronic circuitry and once successful will allow the full rate of gas to flow through the gas valve.
- 2.2.2 As water temperature increases this is sensed by the thermostat which eventually operates as its first stage to switch the burner to low flame.
- 2.2.3 Depending on the load, either the water temperature will continue to rise when the second stage of the thermostat (21) will operate to switch the burner off, or the water temperature will fall and reestablish high flame.

Domestic Hot Water Mode

- 2.3 The appliance will operate in domestic hot water mode whenever the on/off switch is on regardless of mode selector switch position and any demand for central heating.
- 2.3.1 Opening a draw off tap will operate the dhw differential pressure device which in turn operates the 3-port valve (10) and the dhw flow switch.
- 2.3.2 The three port valve diverts boiler water to the dhw heat exchanger.
- 2.3.3 The dhw flow switch transfers control of the burner to the dhw thermostat (19) which switches successively from high to low flame to maintain an average heat input to suit the dhw output required.
- 2.3.4 An overrun thermostat is incorporated in the boiler, in either dhw or c/h mode the fan overruns until the boiler water cools to approximately 60°C (140°F).

SECTION 2 DESIGN PRINCIPLES AND OPERATING SEQUENCE

2.4 Safety Devices

- 2.4.1 In both central heating and hot water modes safe operating is ensured by
 - A. Differential pressure units in both primary and dhw circuits which prevent burner operation if water flow rates are too low.
 - B. A high limit thermostat, which interrupts the control circuit shutting off the gas valve.
 - C. At the same time the fan will still operate.
- 2.4.2 A safety valve is provided to relieve excess pressure from the primary circuit.

SECTION 3 TECHNICAL DATA

3.1 Units

Dimensions and values are given in the preferred SI Units with Imperial units in brackets where applicable.

3.2 Dimensions and Contents

Height: 1065mm (42in) overall (890 casing)
 Width: 450mm (17.7in)
 Depth: 360mm (14.2in)
 Weight (empty): 53kg (117lb) (full 56kg (123lb))
 Water content: 3 litres (.66 gals) for further dimensions see figs 13 - 16

3.3 Connection sizes

Heating flow and return: Nut and olive for 22mm o.d.
 Cold water inlet: Nut and olive for 15mm o.d.
 Hot water outlet: Nut and tail for 15mm compression or capillary.
 Gas Service: Rc 1/2 (1/2in BSP int)
 Safety valve outlet: Rc 1/2 (1/2in BSP int)
 Flue outlet: nom dia 100mm specially supplied with boiler.

3.4 Installation Requirements

3.4.1 Clearances
 Minimum - above 50mm (2in) (above flue)
 Minimum - below 300mm (12in) (from casing)
 Minimum - in front 600mm (24in) (from casing)
 Minimum - At sides 75mm(3in) (from casing)
 Maximum heating system contents approx. 96 litres (21 gals)
 Acceptance capacity of expansion vessel 10 litres (2.2 gals).

3.4.2 Air supply/Ventilation: To requirements of BS 5440 Part 2 1976

3.4.3 Means of filling sealed system: To accord with BS and/or local Water Authority requirements.

3.4.5

The standard flue duct assembly allows a maximum length of duct as follows:
 Rear flue: 683mm (wall thickness)
 Side flue: 890mm (to centre line of boiler).
 The addition of 1 extension tube increases these dimensions to 1553mm and 1750mm respectively. The addition of two extension pipes increases these dimensions to 2303mm and 2500mm respectively.
 The addition of one 90 degree flue bend (Section 5.5.20) may be used anywhere in the flue run provided that the maximum length of 2500mm of straight flue pipe is not exceeded.

3.5

Electrical Details
 Mains supply 240/250v ~ 50Hz Fused 3A
 Power consumption: 200w.

3.6

Performance and Limitations
 Max. input 34.0 kW (116,000 Btu/h)
 Min. input 12.5 kW (42,650 Btu/h)
 Designed water temperature rise 20°C
 Max. output 27.9 kW (95,000 Btu/h)
 Min. output 9.0 kW (30,700 Btu/h)
 Max flow temperature 85°C

Central Heating output range

Max. 27.9 kW (95,000 Btu/h)
 Min. 9.0 kW (30,700 Btu/h)
 (fig.23 shows the relation between burner pressure and input/output btu's)

Nominal hot water production

11.4 litres/min. raised through 35°C
 13.3 litres/min. raised through 30°C
 (2.53 gal/min raised through 63°F)
 (2.9 gal/min raised through 54°F)

Central Heating Pump Duty

Fig.3 indicates the flow rate available plotted against system pressure drop.
 N.B. When using this graph apply only the pressure drop of the system. The curve has been modified to allow for the pressure drop through the appliance.

SECTION 4 GENERAL REQUIREMENTS

4.0

General Requirements

This appliance must be installed by a competent person in accordance with the Gas Safety (Installation & Use) Regulations 1984.

4.1

Related Documents

The installation of this boiler must be in accordance with the relevant requirements of the Gas Safety (Installation & Use) Regulations 1984 the Local Building Regulations, the current I.E.E. Wiring Regulations, the by-laws of the local water undertaking, and in Scotland, in accordance with the Building Standards (Scotland) Regulation.

It should be in accordance also with any relevant requirements of the local gas region and local authority and the relevant recommendations of the following British Standard Codes of Practice:

BS 6891	1988	Low pressure installation pipes
BS 6798	1987	Boilers of rated input not exceeding 60kW.
BS 5449	Part 1	Forced circulation hot water systems
BS 5546	1979	Installation of gas hot water supplies for domestic purposes (2nd family gases).
BS 5440	Part 1	Flues
BS 5440	Part 2	Air supply.

A compartment used to enclose the boiler must be designed and constructed specifically for this purpose. An existing cupboard or compartment may be used provided that it is modified for this purpose. Details of essential features of cupboard/compartment design including airing cupboard installations are given in BS 6798:1987. This appliance is not suitable for external installation.

Gas Supply

A gas meter is connected to the service pipe by the local gas region or a local gas region contractor.

An existing meter should be checked, preferably by the gas region to ensure that the meter is adequate to deal with the rate of gas supply required for all appliances it serves.

4.2

Location of Appliance

The combination boiler may be installed in any room or internal space, although particular attention is drawn to the requirements of the current I.E.E. Wiring Regulations, and in Scotland, the electrical provisions of the Building Regulations applicable in Scotland, with respect to the installation of the combination boiler in a room or internal space containing a bath or shower.

Where a room-sealed appliance is installed in a room containing a bath or shower, any electrical switch or appliance control, utilising mains electricity, should be located in such a position that it cannot be touched by a person using the bath or shower.

The location chosen for the boiler must permit the provision of a satisfactory flue and termination. The location must also permit an adequate air supply for combustion purposes and an adequate space for servicing and air circulation around the boiler.

Where the installation of the boiler will be in an unusual location special procedures may be necessary and BS 6798:1987 gives detailed guidance on this aspect.

Installation pipes should be fitted in accordance with BS 6891:1988.

Pipework from the meter to the boiler must be of adequate size. Pipes of a smaller size than the boiler inlet connection should not be used.

The complete installation must be tested for soundness as described in the above code. N.B. If the gas supply for the boiler serves other appliances ensure that an adequate supply is available both to the boiler and the other appliance when they are in use at the same time.

Flue System

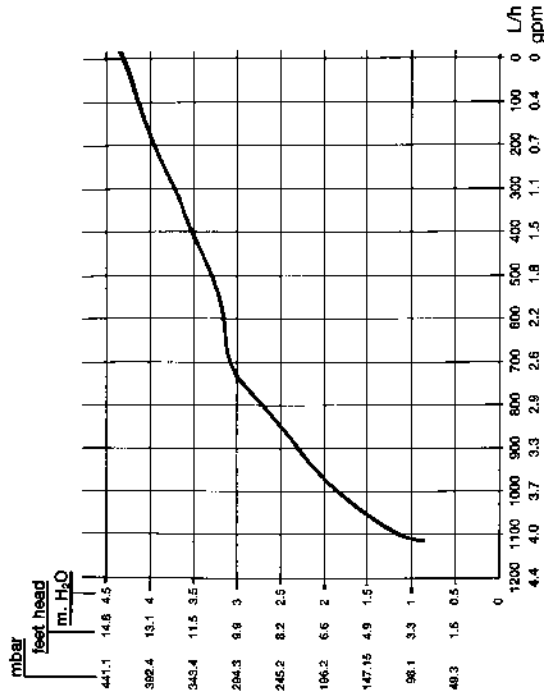
The terminal should be located where dispersal of combustion products is not impeded and with due regard for the damage or discoloration that might occur to building products in the vicinity (see fig 4).

In cold and/or humid weather water vapour may condense on leaving the flue terminal. The effect of such 'steaming' must be considered.

4.4

Fig. 3 Available pump head

Fig. 3 shows the residual pump head available for the central heating system after allowing for the pressure loss through the appliance.



Working Pressures

Maximum 1.5bar/15m.wg/50ft wg
Minimum 0.5bar/5m.wg/16ft wg
Safety valve setting 3bar/30m/102ft

Heating System

1.5bar/15m.wg/50ft wg
0.5bar/5m.wg/16ft wg

Hot Water System

6.0bar/90psig
0.5bar/7psig

Flow Rates

Min. water flow (dhw) 2.8 litres/min (0.6 gal/min)
Min. central heating flow rate through appliance 350 litres/h (12.8 gal/min).

Gas Rates

Min. Gas Rate m³/h 1.13
ft³/h 39.9

Max. Gas Rate

m³/h 3.24
ft³/h 114.5

3.7

Burner Details

Main Burner Polidoro NP 14
Main Burner Injectors 14 x 1.35
Burner Pressure Max. 10.0 mbar
Burner Pressure Min. 1.7 mbar
C/H and DHW

Gas Control Valve: Basic Honeywell VR4705A 4056 1 220/240V

This unit is modified. The modification comprises a coil carried by the main burner regulation screw. For low flame a voltage of approx. 12.5v dc is applied to the coil to hold the valve spindle against the mechanical stop. For central heating max. rate the valve is restricted in its max. opening by application of a site adjustable voltage.

4.0

General Requirements

This appliance must be installed by a competent person in accordance with the Gas Safety (Installation & Use) Regulations 1984.

4.1

Related Documents

The installation of this boiler must be in accordance with the relevant requirements of the Gas Safety (Installation & Use) Regulations 1984 the Local Building Regulations, the current I.E.E. Wiring Regulations, the by-laws of the local water undertaking, and in Scotland, in accordance with the Building Standards (Scotland) Regulation.

It should be in accordance also with any relevant requirements of the local gas region and local authority and the relevant recommendations of the following British Standard Codes of Practice:

BS 6891	1988	Low pressure installation pipes
BS 6798	1987	Boilers of rated input not exceeding 60kW.
BS 5449	Part 1	Forced circulation hot water systems
BS 5546	1979	Installation of gas hot water supplies for domestic purposes (2nd family gases).
BS 5440	Part 1	Flues
BS 5440	Part 2	Air supply.

A compartment used to enclose the boiler must be designed and constructed specifically for this purpose. An existing cupboard or compartment may be used provided that it is modified for this purpose. Details of essential features of cupboard/compartment design including airing cupboard installations are given in BS 6798:1987. This appliance is not suitable for external installation.

Gas Supply

A gas meter is connected to the service pipe by the local gas region or a local gas region contractor.

An existing meter should be checked, preferably by the gas region to ensure that the meter is adequate to deal with the rate of gas supply required for all appliances it serves.

4.2

Location of Appliance

The combination boiler may be installed in any room or internal space, although particular attention is drawn to the requirements of the current I.E.E. Wiring Regulations, and in Scotland, the electrical provisions of the Building Regulations applicable in Scotland, with respect to the installation of the combination boiler in a room or internal space containing a bath or shower.

Where a room-sealed appliance is installed in a room containing a bath or shower, any electrical switch or appliance control, utilising mains electricity, should be located in such a position that it cannot be touched by a person using the bath or shower.

The location chosen for the boiler must permit the provision of a satisfactory flue and termination. The location must also permit an adequate air supply for combustion purposes and an adequate space for servicing and air circulation around the boiler.

Where the installation of the boiler will be in an unusual location special procedures may be necessary and BS 6798:1987 gives detailed guidance on this aspect.

Installation pipes should be fitted in accordance with BS 6891:1988.

Pipework from the meter to the boiler must be of adequate size. Pipes of a smaller size than the boiler inlet connection should not be used.

The complete installation must be tested for soundness as described in the above code. N.B. If the gas supply for the boiler serves other appliances ensure that an adequate supply is available both to the boiler and the other appliance when they are in use at the same time.

Flue System

The terminal should be located where dispersal of combustion products is not impeded and with due regard for the damage or discoloration that might occur to building products in the vicinity (see fig 4).

In cold and/or humid weather water vapour may condense on leaving the flue terminal. The effect of such 'steaming' must be considered.

The terminal must not be closer than 50mm (2in) to any combustible material. For protection of combustibles, refer to BS 5440:1 where the terminal is less than 2m (6.6ft) above a pavement or platform to which people have access (including any balcony or flat roof) the terminal must be protected by a guard of durable material.

A suitable guard is available from G.R.Claudio (Vokera) Ltd. Part No 018, G.C. No. 301 106.

This guard must be fitted centrally over the terminal.

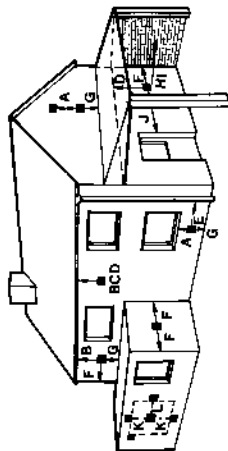


Fig. 4

Terminal position for fan assisted boiler

	mm
A — Directly below an open window or other opening (e.g. air brick)	300
B — Below gutters, soil pipes or drain pipes	75
C — Below eaves	200
D — Below balconies or car port roof	75
E — From vertical drain pipes and soil pipes	300
F — From internal or external corners	300
G — Above ground or below balcony level	600
H — From a surface facing a terminal	1200
I — From a terminal facing a terminal	1200
J — From an opening in the car port (e.g. door window) into dwelling	1500
K — Vertically from a terminal on the same wall	300
L — Horizontally from a terminal on the same wall	300

4.5 Air Supply
Recommendations for air supply are detailed in BS5440:2, 1976. The following notes are intended for general guidance.

The roomsealed fan flued boiler does not require a permanent air vent for combustion air supply.

Where installed in a cupboard or compartment ventilation is required for cooling.

The table following gives the recommended minimum effective areas of such air vents

POSITION OF AIRVENTS	AIRVENT AREAS	
	AIR FROM ROOM OR INTERNAL SPACE	AIR DIRECT FROM OUTSIDE
high level	306cm ² (46.5ft ²)	153cm ² (23.2ft ²)
low level	306cm ² (46.5ft ²)	153cm ² (23.2ft ²)

N.B. 1. Both vents must either communicate with the same room or space or be on the same outside wall.
2. Where vents communicate with an adjacent internal space, it is suggested that the space is adequately ventilated.

4.6 Water Circulation (Central Heating)
Detailed recommendations are given in BS 6798:1987 and BS 5449:1:1977 (for smallbore and microbore central heating systems).

4.6.1 The following notes are given for general guidance.

4.6.2 Pipework
Copper tubing to BS 2871:1:1971 is recommended for water pipe. Joining should be either by capillary soldered or with compression fittings.

Where possible, pipes should have a gradient to ensure air is carried naturally to air release points and water flows naturally to drain taps.

It should be ensured as far as possible that the appliance heat exchanger is not a natural collecting point for air.

Except where providing useful heat, pipes should be insulated to prevent heat loss and to avoid freezing. Particular attention should be paid to pipes passing through ventilated spaces in roofs and under floors.

By-Pass
An automatic by-pass is incorporated in the boiler and systems should be designed to ensure that with only one radiator turned on a flow rate of at least 350 litres/hour (1.28 gals/min) is achieved through the boiler.

System Design
Figs 5 & 6 illustrate typical layouts.

Draining Taps
These must be located in accessible positions to permit the draining of the whole system. The taps must be at least 15mm nominal size and manufactured in accordance with BS 2879:1960.

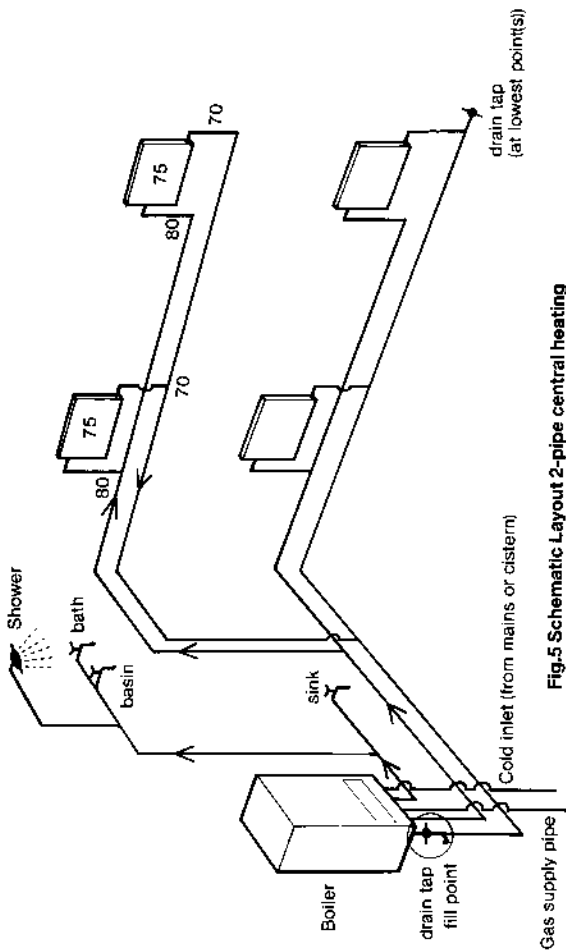


Fig. 5 Schematic Layout 2-pipe central heating

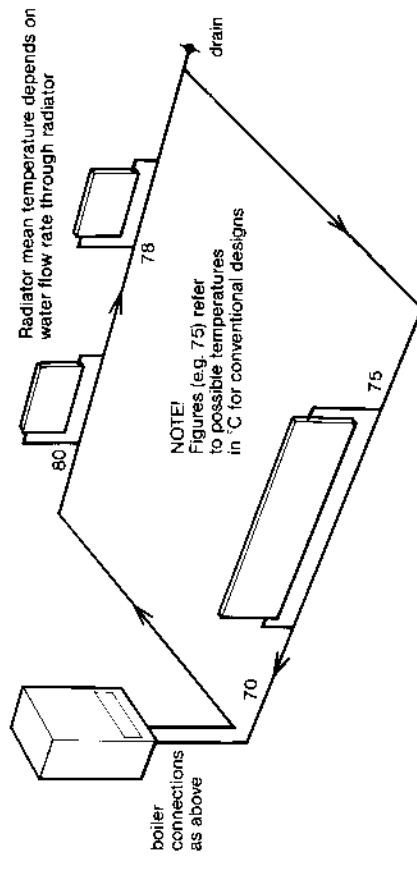


Fig. 6 Schematic single pipe central heating

Salient features of each system

2 Pipe

- Radiators connected in parallel
- Water flow to each directly affected pump
- Shutting off radiators affects total flow in system
- Radiators have approx. same mean temperature
- Low flow rate affects all radiators equally

1 Pipe

- Each radiator is on individual circuit off main pipe
- Water flow not directly affected by pump. Flow in each radiator depends on thermosyphon + pressure differential between connection to main circuit.
- Shutting off individual radiators hardly affect total flow in system.
- Radiator mean temperature progressively drops around systems.
- Low flow rate seriously affects least radiators on circuit.

N.B. Vokera Ltd recommend a 2-pipe system. Single pipe systems are more liable to be troublesome unless carefully designed and installed.

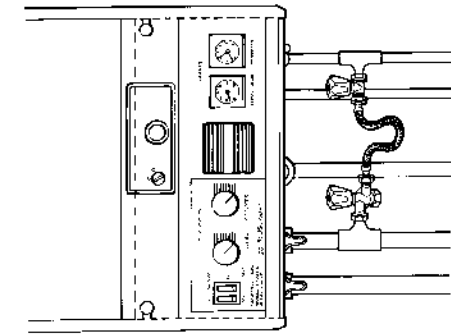


Fig. 7

4.6.6 Air Release Points
These must be fitted at all high points where air will naturally collect, and must be sited to facilitate complete filling of the system.

4.6.7
The appliance has an integral sealed expansion vessel to accommodate the increase of water volume when the system is heated. It can accept up to 10 litres (2.2gals) of expansion water. If the appliance is connected to a system with an unusually high water content. Calculate the total expansion and add additional sealed expansion capacity as appropriate.

In general, modern systems will present no problem.

4.6.8 Filling Point
A method for initially filling the system and replacing water lost during servicing must be provided, and it must comply with local water authority regulations.

A method is shown in fig 7 using the Vokera filling loop which is acceptable in most areas. In the event that this method is not suitable in a particular area, contact the local authority for preferred methods.

N.B. The installer should ensure that no leaks exist as frequent filling of the system could cause premature scaling of the main heat exchanger.

4.7 Electrical Supply
The appliance is supplied for operation on 240/250V ~ 50Hz electricity supply. It should be protected with a 3-amp fuse.

THIS APPLIANCE MUST BE EARTHED.

The method of connection to the mains electricity must allow complete isolation from the supply.

The preferred method is by using a fused double pole switch with a contact separation of at least 3mm.

The switch must supply ONLY the appliance and immediate electrical control circuits (e.g. programmer/room thermostat)

Alternatively, use an unswitched shuttered socket outlet with a fused 3-pin plug both complying with BS 1363.

5.1 Delivery (fig. 8)

The appliance is delivered in a heavy duty cardboard carton. Lay the carton on the floor with the writing the correct way up.

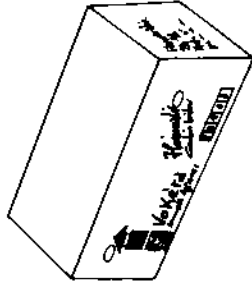


Fig. 8

5.2 Unpacking (fig. 9)

Pull both sides of the carton open. Do not use a knife. Unfold the rest of the carton from around the boiler.

Lay the boiler with the black frame on the floor. Remove the two polystyrene blocks at the top of the boiler from either side of the red expansion vessel.

Remove the polystyrene block at the base of the boiler containing the boiler fixing kit and hanging bracket.

The fixing kit contains

- 1 - Wall bracket
- 1 - Fittings pack containing Central heating valves (2)
- Gas service tap (1)
- Cold water stopcock (1)
- Hot water outlet (1 nut & Tail)
- Various washers
- Fixing template.

5.3 Preparing for Mounting

5.3.1 Remove 4 screws securing the lower part of the casing to the case frame. (Fig 10)

5.3.2 Slightly lift the casing and slide it gently towards the top of the appliance to disengage the case from the top suspension hooks. (Fig 11)

5.3.3 Ensure the casing and screws are put to one side in a safe place.

5.3.4 Loosely fit (hand tight) the valves and fittings using the washers supplied (Fig 12)

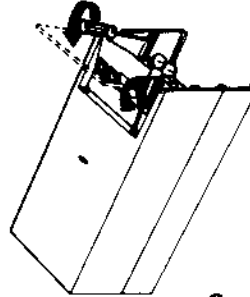


Fig. 10

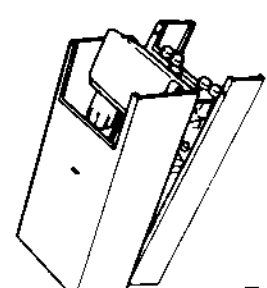


Fig. 11

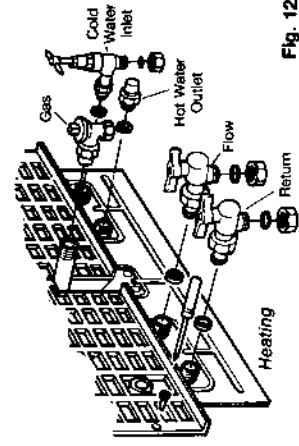


Fig. 12

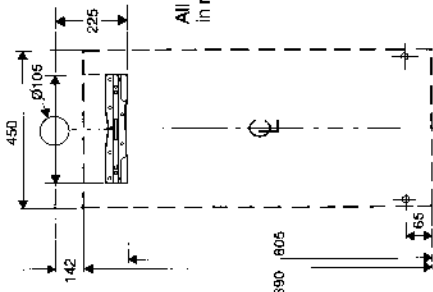


Fig. 13

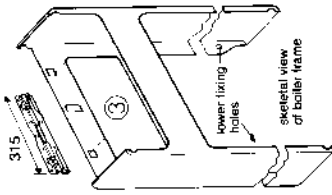


Fig. 14

5.4 Mounting the Appliance (Fig 13)

Place the template on a smooth, vertical incombustible surface and use it to locate the upper bracket, bottom fixing and flue pipe holes.

Alternatively, position bracket and holes to dimensions in fig 13.

Drill and plug the wall for 2 - 2" No 10 screws for upper bracket and screw the bracket firmly into position using rust proof countersunk screws.

Hang the boiler on the bracket and adjust to final position. Mark the lower fixing holes.

Remove boiler and drill and plug wall for 1 1/2" No 10 screws.

Drill a 105mm hole through the wall to allow passage of the flue pipe.

Refer to fig 13 and figs 14-18 for relevant dimensions for locating the hole. Where it is remote from the boiler take special care to ensure hole is at the correct level so that the finished flue is horizontal.

5.5 Fitting the Flue

Refer to figures 14 - 18

The flue outlet elbow may be rotated 360 degrees on its vertical axis. The flue may be extended from this in the horizontal plane.

The standard flue pipe supplied may be used for extension up to 890mm - from outside of wall to centre of the flue elbow. Extension kits (Part No. 026 G.C. No. 370 346) are available to order for flue extensions of up to 2.5 metres total length.

Hang the boiler on the bracket. Adjust the boiler sideways to its correct position. Measure carefully from the actual face of the outside wall to the centre of the flue bend. (Dimension X on Figs 14 & 15). Locate the small maintenance clip onto the flue elbow (fig 14) and assemble onto the flue outlet on the top of the boiler. Twist the flue bend to the outlet direction required, and tighten the maintenance clip to secure the flue bend in place. Carefully level across to check that the hole through the wall is at the same level as the flue bend.

The flue kit supplied is suitable for an exact dimension of 890mm.

1 or 2 extension tubes will increase X to 1750mm and 2500mm respectively.

Where X is less than 890mm, the supplied flue must be shortened as follows:-

Separate the two tubes by removing screw G (fig 17).

Subtract the measured length from 890mm. The difference is the precise length to be removed from both tubes (890 - X = length to be cut off from the plain ends.)

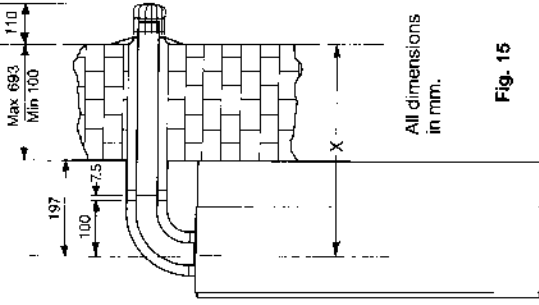


Fig. 15

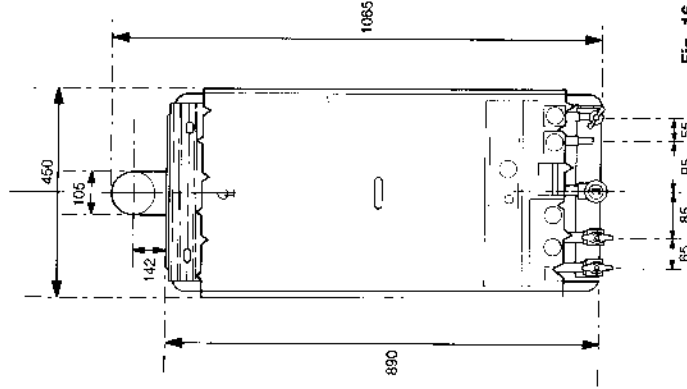


Fig. 16

Example

X is measured as 630mm
Amount to be cut off both tubes is 890 - 630 = 260.

Where X is more than 890mm an extension kit (or kits) is needed. The standard uncut lengths with extension(s) is as follows:-

Always cut the extension tubes, not the standard tube.

1. Measure X
2a. if using 1 extension piece, cut (1770-X)mm from the inner flue tube but (1750-X)mm from the outer air tube.

2b. if using 2 extension pieces, cut (2600-X)mm from the inner flue tube but (2560-X)mm from the outer air tube.

Shorten inner and outer tubes of last extension piece.

EXAMPLE

X = 1295

Cut 1770 - 1295 = 465mm from air tube
Cut 1750 - 1295 = 445mm from flue tube

CUT CLEAN AND SQUARE WITH FINE TOOTH SAW AND REMOVE BURRS.

Loosen the small maintenance clip and lift the flue bend off the boiler flue outlet.

5.5.7 Ensure inner and outer terminal tubes are firmly fitted together with screw G (fig 17). Push the terminal tubes through the wall until the face of the outer tube protrudes 18mm from the face of the wall (fig 17). The terminal grill (D) will then protrude 110mm from the wall face.

5.5.8 If extension pieces are used assemble these using the maintenance clips provided. Always fully butt the joints before securing the clips.

5.5.9 Make sure the entire length of the flue is truly horizontal and adequately supported. Use at least one bracket for each extension. (Conventional adjustable strap supports, Part No. 03, G.C. No. 301 105, suffice. Vokera stockist can supply if necessary)

5.5.10 Assemble the second small maintenance clip on the end of the inner flue tube.

5.5.11 Refit the flue elbow onto the boiler. Align the flue elbow with the flue pipe and tighten the maintenance clip between the flue elbow and the boiler. Ensure pipe sections butt together.

5.5.12 Draw the flue pipe towards the boiler and tighten the second clip over the joint between the inner flue pipe and the flue elbow.

5.5.13 There must now be a gap of approximately 15mm from the elbow to the end of the outer tube.

All dimensions in mm.

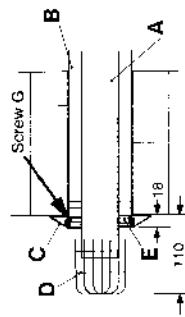


Fig. 17

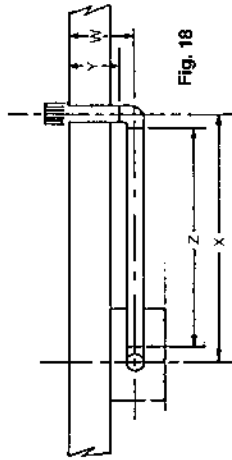


Fig. 18

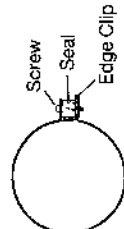


Fig. 18a

- 5.5.24** Measure carefully the distance between the centre of the flue bend on then boiler to the centre of the hole through the wall (dimension X fig 18).
NOTE: Extension kit/s part no 026 will be required if the distance measured is greater than 780mm
- 5.5.25** Subtract 230mm from the measured dimension, separate the two tubes and cut the outer tube to this dimension.
- 5.5.26** Cut the inner tube 15mm longer than the outer tube.
- 5.5.27** Referring to fig 14 assemble a small maintenance clip on the outlet of the boiler flue bend. Push the inner flue tube into clip and tighten clip screws.
- 5.5.28** Slide the outer flue tube into place leaving approx. 15mm between the bend and the flue tube.
- 5.5.29** Referring to fig 14 fit the large maintenance clip into position and tighten clip screws.
- 5.5.30** Connect the flue tube to the extra bend using the same method ensuring that the bend outlet is in line with the hole through the wall
- 5.5.31** Ensure that the flue pipe runs parallel to the wall then carefully measure the distance from the outside face of the wall to the centre of the extra bend (dimension W fig 18).
- 5.5.32** Subtract 97mm from the dimension and cut the outer tube to this length.
NOTE: The two tubes must be separated by removing screw G fig 17 before cutting.
- 5.5.33** Ensure that any shortening of the tube is done from the plain end.
- 5.5.34** Reassemble the inner and outer flue tubes and refix screw G.
- 5.5.35** Mark the inner tube 7mm longer than the outer and cut off the inner tube at this point.
- 5.5.36** Remove the large maintenance clip, loosen the small clip and remove the bend.
- 5.5.37** Push the flue tubes through the wall, loosely refit the extra flue bend.
- 5.5.38** Assemble a small maintenance clip onto the inner flue tube, draw the flue tube towards the flue bend until the inner tubes butt. Tighten the screws on the small clip.
- 5.5.39** Referring to fig 14 fit the large maintenance clip into position and secure clip screws.
- 5.5.40** Check and adjust if necessary so that the outer flue tube protrudes 18mm from the outside face of the wall.
- 5.5.41** Tighten all maintenance clips, make sure that the entire flue is horizontal and adequately supported. Use at least one bracket (part no 03) for each extension.
- 5.5.15** Check also that the outer end of the flue projects as indicated in fig 17.
- 5.5.16** Referring to fig 14 fit the large maintenance clips into position and secure the clip screws.
- 5.5.17** Check adjust and tighten all supports.
- 5.5.18** Seal the peripheral gap around the outer tube with cement or mastic and slip the cosmetic flexible plastic collar (fig 17) item C) into groove on the pipe. This operation can only be carried out with external access. Seal the internal wall face around the air duct.
N.B. Absence of the collar will not affect operation of the appliance but the outer wall must be weather proofed around the air duct.
- 5.5.19** When the flue and appliance are finally positioned screw the lower frame to the wall (fig 13)
- 5.5.20** **Installing optional 90 degree flue bend**
Part No 02, G.C. No. 307 704
- 5.5.21** Assemble the large and small maintenance clips as shown in fig 18A
- 5.5.22** Carry out steps 5.5.2-5.5.3
- 5.5.23** Ensure when siting the flue hole position that the combined distances (Y&Z on fig 18) between the flue elbow on the boiler to the extra bend and from the face of the outside wall to the extra bend do not total more than 2.5 metres.

- 5.6** **Connecting the Gas and Water**
- 5.6.1** Figs 12 and 16 show the locations of the fittings.
- 5.6.2** Do not over tighten nuts and use another spanner to apply counter force to avoid damaging the appliance
- 5.6.3** **Gas Supply**
Connecting the gas supply.
Connect a 15mm gas pipe to the gas service tap and tighten the union nut securing the tap to the appliance.
- 5.6.4** **Central Heating**
Connect the central heating pipework (22mm o.d) to the respective valves, right hand = flow, left hand = return, and tighten the nuts.
- 5.6.5** **Hot Water**
Provide a suitable coupling and connect the hot water draw-off pipe to the 15mm o.d fall. Tighten the nut.
If the hot water system does not include a tap below the hot water outlet connection provide a suitable drain tap to permit draining of the appliance hot water side during servicing.
- 5.6.6** **Cold Water**
Connect a 15mm cold water service pipe to the inlet stopcock of the appliance. Tighten the nut.
- 5.7** **Electrical Connections**
- 5.7.1** The electricity supply must be as specified in clause 4.7. If controls external to the appliance are required, design of the external electrical circuits should be undertaken by a competent person.
See Section 10 for further advice.
N.B. IT IS ESSENTIAL THAT ALL EXTERNAL CONTROL CIRCUITS AND WIRING IS WIRED FROM THE SAME ELECTRICAL ISOLATOR AS SERVES THE APPLIANCE.
Factory fitted internal wiring must not be disturbed when wiring external controls.
- 5.7.2** To gain access to the electrical terminals hinge down the spring loaded control fascia. (ref to fig 19) until it rests in an approximately horizontal position.
Press in the sides of the printed circuit board cover (fig 20) to release retaining clips, and lift cover off.
The terminal block is easily visible on the left of the printed circuit board (fig 21)
The electricity supply cable from the isolator and the appliance terminal block must be 3 core flexible sized 0.75mm² (24 x 0.2mm) to table 15-16, BS6500.
Wiring to the appliance should be rated for operation in contact with surface up to 90°C and connect it so that should the cable slip the anchorage the current carrying conductors become taut before the earthing conductor. (fig 21)
Securely tighten all terminal screws and arrange the cable with slack between the anchor and the terminal block. Tighten the cord anchorage screw until the cable is secure.
- 5.7.3** The terminal block is easily visible on the left of the printed circuit board (fig 21)
The electricity supply cable from the isolator and the appliance terminal block must be 3 core flexible sized 0.75mm² (24 x 0.2mm) to table 15-16, BS6500.
Wiring to the appliance should be rated for operation in contact with surface up to 90°C and connect it so that should the cable slip the anchorage the current carrying conductors become taut before the earthing conductor. (fig 21)
Securely tighten all terminal screws and arrange the cable with slack between the anchor and the terminal block. Tighten the cord anchorage screw until the cable is secure.
- 5.7.4** Pass the cable through the cord anchorage and connect it so that should the cable slip the anchorage the current carrying conductors become taut before the earthing conductor. (fig 21)
Securely tighten all terminal screws and arrange the cable with slack between the anchor and the terminal block. Tighten the cord anchorage screw until the cable is secure.
- 5.7.5** Securely tighten all terminal screws and arrange the cable with slack between the anchor and the terminal block. Tighten the cord anchorage screw until the cable is secure.
- 5.7.6** Neatly arrange the external cable in such a way that unrestricted opening of the controls fascia is possible without strain on the cable.

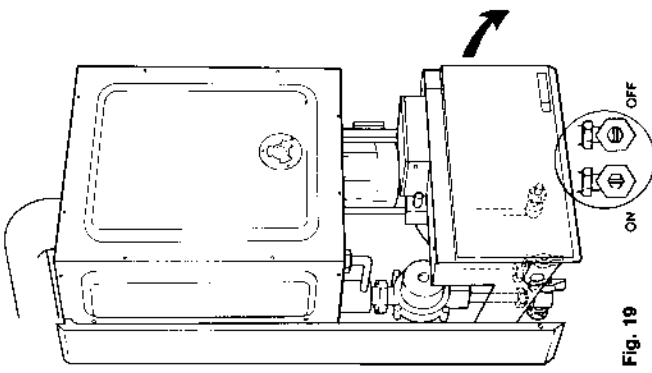


Fig. 19

SECTION 6 COMMISSIONING

5.7.7 External controls may be wired from terminals 1 & 3 (after removing a factory fitted link), if a neutral is needed use the terminal mark N.
If required pass this cable through the same cord anchorage.
The conductors should be so connected that the conductor to terminal 1 becomes taut before those to 3 & N should be strained.

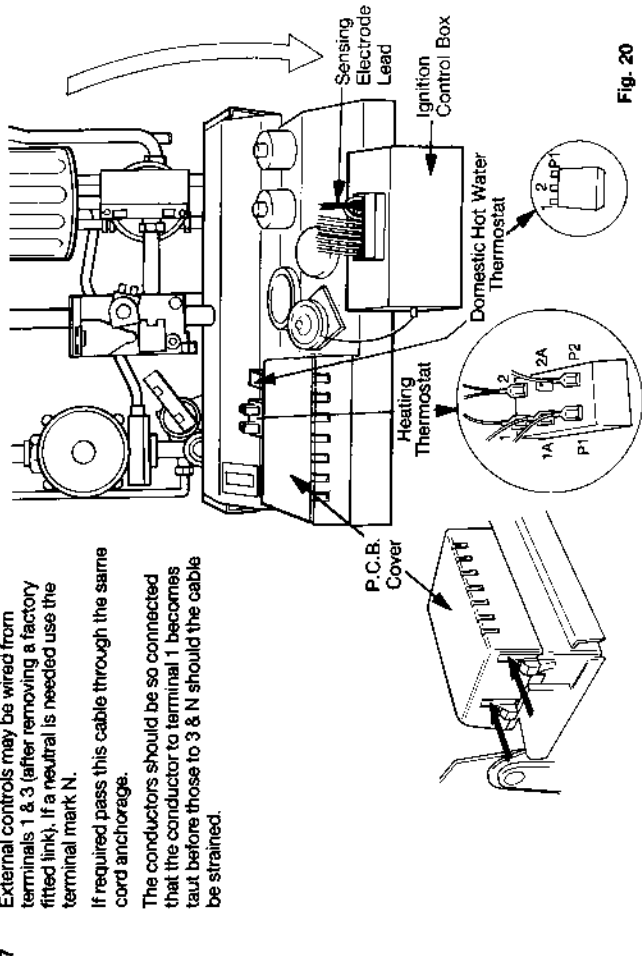


Fig. 20

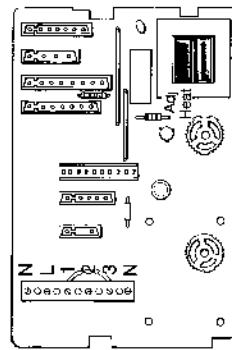


Fig. 21

- 6.1** Where the text bears identifying numbers in brackets, refer to figs 1 and 2 unless otherwise instructed. Close control panel, open controls cover.
- 6.2** **Gas Supply Installation**
Inspect the entire installation including the meter, test for soundness and purge, all as described in BS6891:1988.
- 6.3** **Central Heating Systems**
- 6.3.1** **IMPORTANT**
DO NOT RELEASE AIR FROM THE RED SEALED EXPANSION TANK. It is charged with air at the factory to 1bar (15psig)
- 6.3.2** **Initial Flushing of the Pipework**
The appliance contains components likely to be damaged or blocked by grease and dirt from the system. It is recommended therefore that the appliance be disconnected from the system for the initial flush.
6.3.2.1 Close the appliance central heating valves and disconnect from the appliance (18 and 20, Fig. 1).
6.3.2.2 Connect a temporary water supply to the return and a drain pipe to the flow and flush the entire system until the drain discharges clean water (for at least five minutes).
6.3.2.3 Drain the system by opening the drain taps at all low points. Close the drain taps and reconnect the flow and return valves to the appliance.
- 6.3.3** **Initial filling of the System**
- 6.3.3.1** See Clause 3.4.4 and 4.6.8
- 6.3.3.2** Open central heating flow and return valves (red handle vertical indicates open, horizontal indicates closed). Unscrew black cap on automatic air release valve (30) one full turn (leave open permanently).
6.3.3.3 Close all air release taps on the central heating system.
- 6.3.3.4** Gradually open stopcocks at the filling point connection to the central heating system until water is heard to flow. Do not open fully.
- 6.3.3.5** Starting with the lowest radiator open each air release tap in turn closing it only when clear water, free of bubbles, flows out. In the same way release air from any high points in the pipework.
- 6.3.3.6** Open the primary vent screw on the top of the dhw heat exchanger (9) until clear water is discharged.
- 6.3.3.7** Continue filling the system until at least 1.5 bar registers on the gauge (12) then turn off the filling point stopcocks.
- 6.3.3.8** Inspect the system for water soundness and remedy any leaks discovered.
- 6.3.4** **Setting the System Design Pressure**
The design pressure must be a minimum of 1bar and maximum 1.5bar.
- 6.3.4.1** The actual reading should ideally be 1bar plus the equivalent height in meters to the highest point of the system above the base of the appliance (up to the maximum of 1.5bar total).
N.B. The safety valve is set to lift at 3bar / 30m / 45psig.
- 6.3.4.2** To lower the system pressure to the required value, turn the red knob of the safety valve (24) a quarter turn to release water until the required figure registers on the gauge (12).
- 6.3.5** **Filling the Hot Water System**
6.3.5.1 Close all hot water draw-off taps.
6.3.5.2 Open cold water inlet stopcock (15)
6.3.5.3 Slowly open each draw-off until clear water is discharged.
- 6.4** **Checking Electricity Supply**
- 6.4.1** Carry out preliminary checks for continuity, polarity, and resistance to earth, gaining access as required according to clause 5.7.2 in this manual.
- 6.4.2** Leave the appliance with the control fascia closed and with the mains electricity switched OFF
- 6.5** **Lighting the Boiler**
- 6.5.1** Ensure flow and return valves are open (Cl6.3.3.2)
If external controls are fitted (e.g Timeclock and Room thermostat) ensure they 'call for heat'. The commissioning of the appliance may be easier if the external controls are disconnected and terminals 1 & 3 linked. (For access procedure turn off electricity and refer to clause 5.7.2 for instructions).
6.5.2 Switch on the mains electricity and turn on the on/off switch (23)
6.5.3 Set the control thermostat (21) at its highest setting.
6.5.4 Set the Mode Selector switch (22) to constant.
6.5.5 The boiler will now go through an ignition sequence and the burner will light.
6.5.6 If during the ignition attempt period (10 secs approx.) the boiler fails to light, the ignition control circuit will go to lockout de-energising the gas valve, but leaving the fan and pump running.

6.6.7 In the event of the boiler going to lockout turn the on/off switch to the off position. The most common cause of the boiler going to lockout during commissioning is air in the gas supply. Check that the gas supply is completely purged of air and that gas is reaching the boiler then repeat from 6.5.2.

6.6 **Checking Burner Pressures**
6.6.1 The heat inputs for high and low gas rates are factory set to the maximum values given in section 3.6 for domestic hot water and central heating but it is necessary to check them when commissioning.

6.6.2 The maximum heat input for the central heating mode may be reduced by a simple adjustment to suit the system load. This in no way affects the appliance maximum which is always obtained in the domestic hot water mode.

6.6.3 Turn off the main electricity supply. Gain access to the interior as instructed in clause 5.7.2.

6.6.4 Locate the main burner pressure test point (Fig 22) and slacken the screw half a turn in an anti clockwise direction. Attach a suitable pressure gauge. Turn on electricity supply and fully open a domestic hot water tap to operate boiler in dhw mode. Adjust hot water thermostat to maximum setting.

6.6.5 The pressure reading for maximum rate should be:
 10.0mbar/4.0in wg (plus or minus 1.0mbar/0.4in wg)
 If the pressure is wrong it should be adjusted as instructed in clause 8.24 (N.B. Whenever the maximum rate is adjusted check and adjust the minimum rate too)

6.6.6 If the boiler temperature is above 60°C turn the dhw thermostat down until the low flame is established. If low flame cannot be established in this way, turn off the electricity supply and transfer the cable on terminal 2 of the dhw thermostat to terminal 1 (Fig 20 shows location). Switch on electricity.

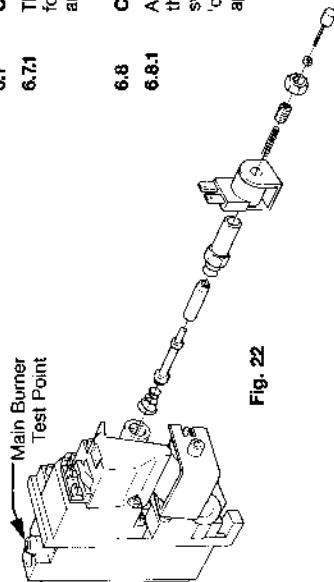


Fig. 22

6.6.7 When low flame is established, the pressure reading should be 1.7mbar/0.68in wg (plus or minus 0.17mbar/0.06in wg). If it is different adjustment should be made in accordance with the instructions in clause 8.24.

6.6.8 If the thermostat connection has been transposed to obtain low flame (cf 6.6.6) turn off the mains electricity and replace the cable on terminal 2.

6.6.9 **Checking Ignition Heat Input (Soft Light Ignition).**

The soft light ignition pressure is factory set, but it is necessary to check it when commissioning.

Turn off the main electricity supply.
6.6.11 Disconnect the sensing electrode lead from terminal 9 on the ignition control box (fig 20)
6.6.12 Turn on the main electricity supply and turn on a domestic hot water tap to operate the boiler in dhw mode.

The boiler will now light at a reduced pressure, the reading should be 4.0mbar/1.6in wg (plus or minus 0.4mbar/0.16in wg). If the pressure is incorrect it should be adjusted as in clause 8.24

N.B. while checking the soft light pressure the burner will only light for approximately 10 seconds before going to lockout.

6.6.15 Turn off the main electricity supply and reconnect the sensing electrode lead to terminal 9 of the ignition control box.

6.6.16 **Setting the Maximum Rate for Central Heating (Range Rating)**
 Refer to fig 23 to determine pressure for the heating output you need. Use a screwdriver to adjust the potentiometer (fig 21) until the required pressure is indicated on the gauge. Once this pressure has been fixed it should be indelibly recorded on the label provided and affixed next to the data badge. This is to ensure that the burner can be reset when any service operation involves alteration of burner settings.

6.7 **Checking the Flue System**
6.7.1 The flue system should be visually checked for soundness. Check all clamps and fixings are secure and tight.

6.8 **Checking the Heating Thermostat**
6.8.1 Allow the system to warm up and manipulate the c/h thermostat to ensure the burner switches from 'high' to 'low' and 'low' to 'off' and vice versa (scale range covers approx. 45°C - 85°C).

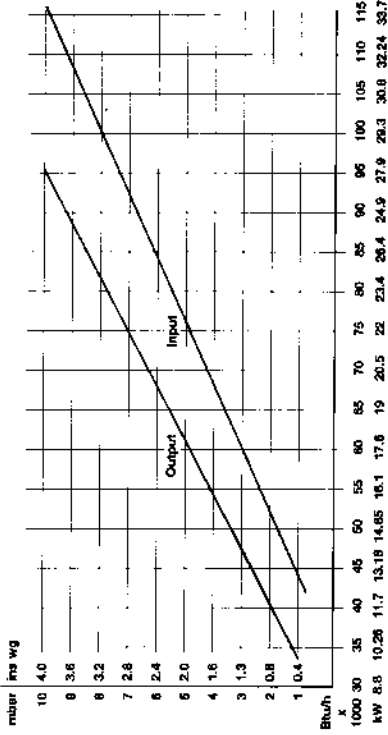


Fig. 23

6.9 **Regulating the Central Heating System**
6.9.1 Fully open all radiator and circuit valves and run the appliance in the central heating mode until heated water is circulating. If conditions are warm, remove any thermostatic valve heads.

6.9.2 If the burner will not light, ensure that water is in fact circulating. See cl 4.6.3

6.9.3 Adjust radiator return valves and any branch circuit return valves until the individual return temperatures are correct and are approximately equal.

6.9.4 When all is adjusted, progressively close all radiator valves to ensure that the appliance still operates when flow through the system is limited.

If the burner cuts out prematurely due to lack of water flow through the appliance, the system should be regulated to ensure a flow rate of at least 350 litres/hour (1.28 gals/min).

6.10 **Final Flushing of the Heating System**

6.10.1 After the system has been thoroughly heated to about 60°C (140°F) or above, and hot water has circulated to all parts any residual grease, flux and other foreign material will have been dislodged.

6.10.2 Inspect the system for soundness. Turn the appliance off and turn off the on/off switch (fig 1 23).

Open all drain taps and quickly drain the system whilst still hot to remove offending substances. Refill as instructed in clause 6.3.3.

6.11 **Filling, Testing and Regulating the Domestic Hot Water System**

6.11.1 Start with the appliance switched on having completed the procedures described in clause 6.4 to 6.10.

6.11.2 Open a domestic hot water tap (preferably the bath tap).

Ensure cold water inlet stopcock is fully open and the dhw thermostat (19) is set at maximum.

6.11.3 The flow of water should activate the differential pressure device and drive the diverting valve (10) to its other position thus heating the domestic water flowing through the coil of the dhw heat exchanger.

The operation of the 3-port valve will close the burner control micro-switch (26) and light the burner on maximum rate.

6.11.4 If the burner does not light, check that the water flow rate is above the minimum required to operate the differential pressure device 2.8 litres/min (0.61 gals/min).

6.11.5 The temperature of the water will depend on the rate at which it flows.

If, due to high water pressure the flow rate is unacceptably high (and thus the temperature too low for practical use) the flow rate should be adjusted.

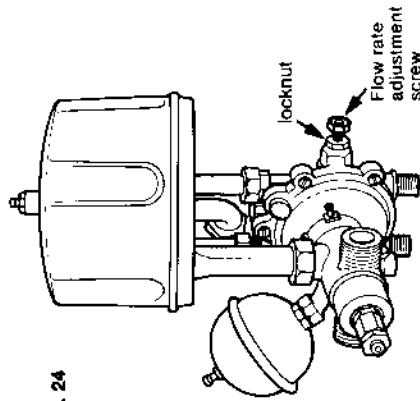


Fig. 24

SECTION 8 SERVICING INSTRUCTIONS

- 6.11.6** To adjust the flow rate ref to fig 24 and locate the adjustment screw.
- 6.14** Slacken the locknut and turn the screw clockwise until the required temperature is reached. Tighten locknut. It is best to set for the lowest acceptable temperature since the user can gain higher temperatures by restricting flow at the tap.
- 6.14.1** N.B. If the cold supply is subject to large fluctuations or is above the permitted maximum a suitable pressure/flow regulator should be fitted in the cold water supply to the appliance.
- 6.15** Turn the appliance mode selector switch (22) to the summer position. Slowly close the tap to reduce the draw of rate to above the minimum approx. 2.8 litres/min (0.61 gal/min) Rotate the dhw control thermostat to ensure it operates at its various setting.
- 6.11.7** Close the draw-off tap still further. The burner should stop when the rate falls below approximately 2.8 litres/min (0.61 gal/min).
- 6.11.8** **Final Check for Operations**
Turn off at On/Off switch, disconnect pressure gauge, retighten screw. Relight boiler.
- 8.12.1** Re-check for gas soundness
- 8.12.2** Re examine heating and hot water systems and cold water supply for water soundness.
- 6.12.3** Check the appearance of the gas flame to assess adequacy of combustion air supply and adequacy of supports.
- 6.12.4** Re-check the flue system for soundness
- 6.13** **Concluding Operations**
if external controls have been disconnected and terminals 1 & 3 temporarily linked remove the link and reconnect the external control circuit, check the operation of the external controls.
- 6.13.2** Hinge up the control fascia.

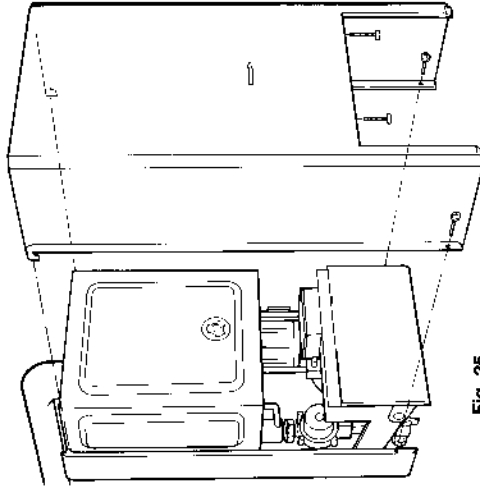


Fig. 25

8.1 General

- To ensure efficient safe operation of the appliance it is necessary to carry out routine servicing at regular intervals.
- The frequency of servicing will depend upon the particular installation conditions and the use to which the boiler is put; but, in general, once per year should be adequate.
- It is the law that any service work must be carried out by a competent person such as British Gas or other recognised companies.
- The following instructions apply to the boiler and its controls, but it should be remembered that the central heating and domestic hot water systems will also require attention from time to time.

8.2 Important Notes

- WARNING:** Having carried out preliminary flame checks and before starting any servicing work, switch OFF the mains electricity supply and disconnect the plug at the main isolating switch and socket. (If a switch is used remove the fuse.)
- Turn off gas supply at the gas service tap fitted to the appliance.
- Always test for gas soundness after any service work and after exchanging any gas carrying component.

8.3 Recommended Routine Servicing

8.3.1 Annual Servicing

- The following procedures should be carried out at least once per year.
- Inspect exterior for signs of damage and deterioration particularly of flue pipework and electrical connections.
 - Inspect air supply and ventilation arrangements comparing them with the requirements laid down in clauses 4.5.1 & 2 to ensure no alterations have been made since installation.

- Turn off mains electricity and remove front casing (see clause 8.4.).

- Replace fuse if previously removed (8.2. above) and turn on electricity, run the boiler for a few minutes in the domestic hot water mode to permit inspection of its operation. This is accomplished by opening a domestic hot water draw off tap and inspect burner for yellowing of flame tip, flame lift off or sooting.
- Ensure central heating valves (fig 1) are open. Note these are 1/4 turn valves which are open when handle is vertical, closed when handle is horizontal.
- Observe pressure gauge reading (fig 1) which should be approximately 1bar when the system is cold (see clause 6.3.4)

- Turn off mains electricity and turn off gas service tap on the appliance.
- Gain general access as described below in clause 8.4.

- Remove main burner. cl 8.6.3 to 8.6.6. Lightly clean with a soft brush and inspect for damage. If during initial inspection, any combustion irregularity was suspected, remove injectors and clean or replace (see clauses 8.6 and 8.7).
- Place cloth below combustion chamber to catch debris. Clean heat exchanger using suitable brushes and rods if necessary.
- Inspect combustion chamber lining. The insulating material is easily damaged. Do not scrape, but clean off lightly.

If any panels are damaged these should be replaced (see Clause 8.11).

- Replace all parts in reverse order but leave the controls fascia open and outer casing off.
- Undertake a complete commissioning check as detailed in section 6.
- Close up control fascia and refix front casing.
- Clean off casing using soft cloth and dilute detergent.

8.3.2 Replacement of Parts

- The life of individual components varies and they will need servicing as and when faults develop. The fault finding sequence charts in section 9 will serve to locate which component is the cause of any malfunction, and instructions for removal, inspection and replacement of the individual parts are given in the following pages.
- The domestic hot water heat exchanger may in certain conditions become partially blocked by scale deposits. Evidence of this will be deterioration in performance.

This condition could well be treated using proprietary descalants following the instructions without dismantling the appliance by circulating a fluid through the dhw coil. To do this, disconnection from hot and cold services is necessary. Reconnect only after thorough flushing with clean water.

SECTION 7 INSTRUCTING THE USER

- 7.1** Hand over the copy of the Users Instructions supplied with the appliance, together with these Instructions, and explain how to operate the boiler correctly and explain how to use the timeclock and room thermostat if fitted.
- 7.2** Show the user how to switch off the appliance quickly and indicate the position of the electric supply isolator.
- 7.3** Explain that air supply grilles must not be blocked in any way.
- 7.4** Inform the user of the location of all drain cocks and air vents.
- 7.5** Explain how to turn the appliance off for both short and long periods and advise on the precautions necessary to prevent damage should the appliance be inoperative when freezing conditions may occur.
- 7.6** Finally, advise the User that, for continued safe and efficient operation, the appliance must be serviced by a competent person a least once a year.

8.4

To Gain General Access

To remove components access to the interior is essential. Refer to figs 26 & 27.

Ensure electricity supply is isolated before carrying out any servicing.

8.4.1 To remove front casing.

Release 4 retaining screws fig 26.

Pull bottom of case slightly forward and push case upwards to disengage from top support hooks and withdraw the case from the appliance.

The control panel can now be hinged down for access.

8.4.2 Remove 4 vertical screws and pull lower plastic grill downwards.

8.5 **Room Sealed Chamber Front Cover** (including Viewing Window). Part No. 5904 Refer to fig 28

8.5.1 Gain general access as 8.4

8.5.2 Remove room sealed front cover plate by releasing eight screws (fig 28) and easing cover off. The screws are not captive. Inspect gasket for damage. If damaged, replace.

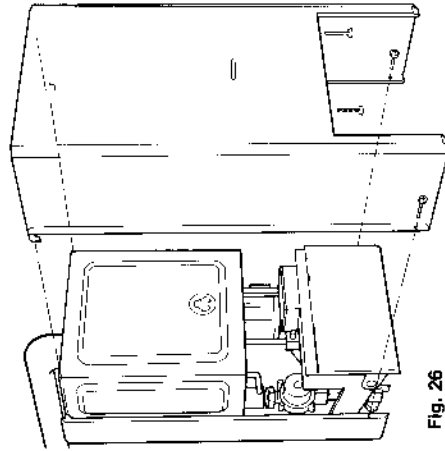


Fig. 26

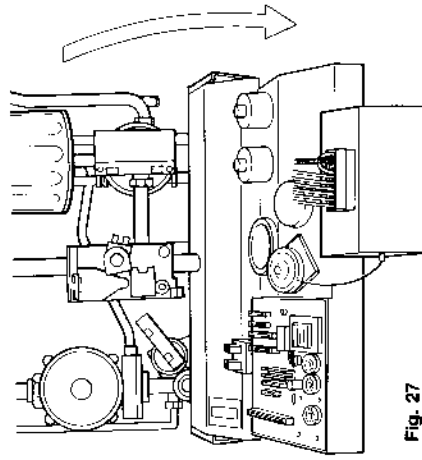


Fig. 27

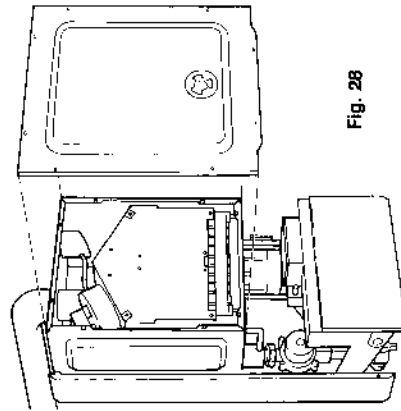


Fig. 28

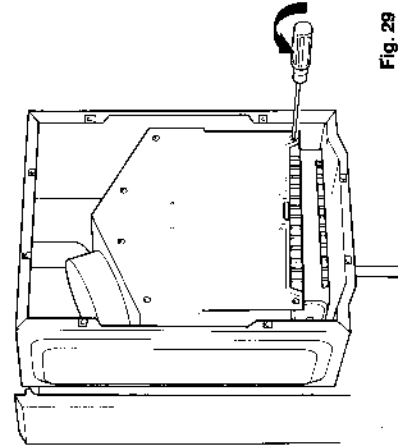


Fig. 29

8.6

Main Burner and/or Spark and Sensing Electrodes

Part No's 5640 and 5641

Refer to fig 31

8.6.1 Gain general access as 8.4.

8.6.2 Remove room-sealed front cover 8.5.2.

8.6.3 Remove front of combustion chamber by releasing six screws (fig 29)

8.6.4 Remove four burner retaining screws (see fig 30) ease burner forward and rest on chamber base.

8.6.5 Release electrode retaining screws Carefully remove electrodes.

8.6.6 Trace electrode lead to electronic ignition control and disconnect.

8.6.7 Repeat for other electrode

8.6.8 Remove main burner.
Reassemble in reverse order ensuring correct location of electrodes. Ensure that right hand electrode is connected to Terminal 9 of electronic ignition control box.

Note: If difficulty is found in relocating the burner securing screws, easy access can be gained by removing the two side panels (fig 31).

8.7

Main Burner Injectors

Gain general access as 8.4.

8.7.1 Remove roomsealed front cover plate and combustion chamber front (8.5.2 & 8.6.3).

8.7.2 Remove main burner (8.6.4. to 8.6.5).

8.7.3 Unscrew injector(s).

8.7.4 Reassemble in reverse order.

8.8

Main Heat Exchanger

Part No 5356

Refer to Figs. 32 and 33.

8.8.1 Gain general access as 8.4

8.8.2 Remove roomsealed front cover plate (8.5.2).

8.8.3 Remove front of combustion chamber.

8.8.4 Remove two air baffle plates. 1 screw securing each.

8.8.5 Remove both side panels, 5 screws each (fig 31)

8.8.6 Close heating valves (1/4 turn until handle is horizontal). Turn safety valve 1/4 turn to drain primary circuit of boiler.

8.8.7 Place cloth under heat exchanger to catch surplus water.

8.8.8 Disconnect upper flanges by removing 2 screws on each flange (fig 32). Slide out main heat exchanger, taking care not to damage insulation panels. Avoid spillage of water on boiler electric.

8.8.9 Reassemble in reverse order using new fibre washers on flanges.

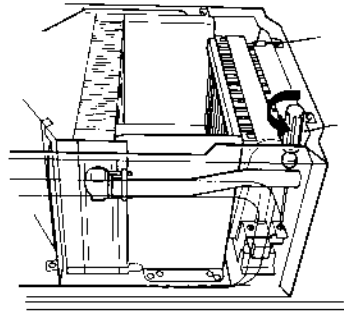
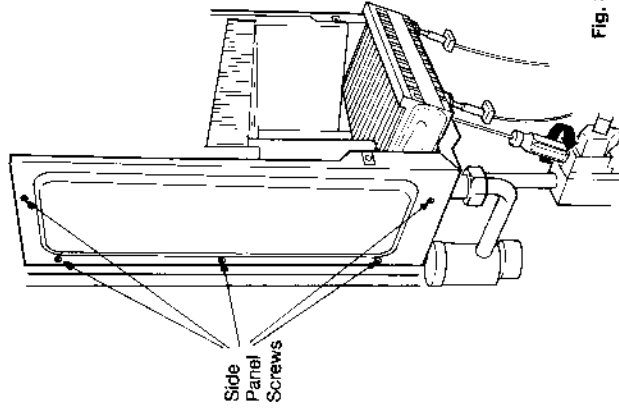


Fig. 30



Side Panel Screws

Fig. 31

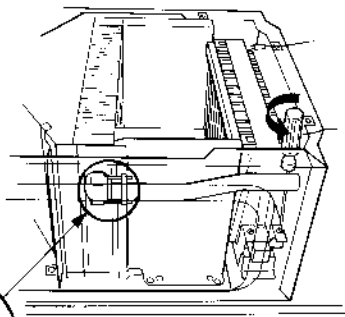
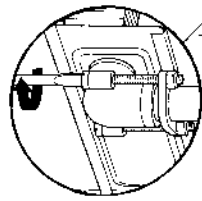


Fig. 32

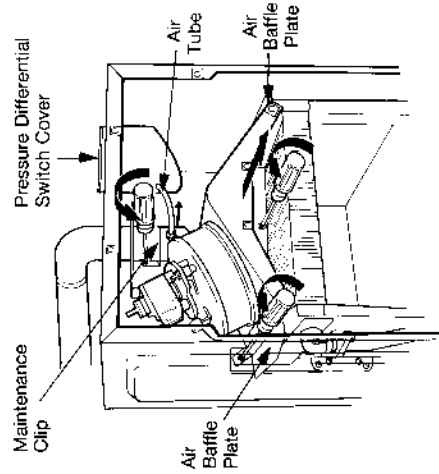


Fig. 33

Fig. 34

- 8.9 Flue Fan**
Part No 5917
- 8.9.1** Remove roomsealed front cover plate (8.4-8.5.2) and front of combustion chamber (8.6.3).
- 8.9.2** Loosen maintenance clip securing screws (see fig. 33) and slide upwards to clear joint.
- 8.9.3** Remove silicone pipe from nozzle on inner flue bend
- 8.9.4** Remove 3 flue hood retaining screws (see fig. 33)
- NOTE: (i) When removing the two side screws the two air baffle plates can be removed. (ii) The centre screw is captive.
- 8.9.5.** Carefully slide flue hood forward disconnecting electrical leads on fan in the process.
- 8.9.6** Unscrew 4 screws securing fan to flue hood and remove fan. Transfer aluminium manifold (two screws) to new fan.
- 8.9.7** Reassemble in reverse order, replacing centre hood screw first.
- 8.10 Flue Pressure Differential Switch**
Part No 5926
- Refer to Fig. 33
- 8.10.1** Remove front casing (8.4.1) Remove room sealed cover (8.5.2)
- 8.10.2** Remove 3 screws holding pressure differential switch cover (fig. 33) and remove cover
- 8.10.3** Pull air tube from nozzle on inner flue bend.
- 8.10.4** Pull off tab connectors and ease pressure switch upwards. Disconnecting air pressure pipe in process.
- 8.10.5** Reassemble in reverse order.
- See fig 54 for correct fitting of electrical connections. The air pipe must be reconnected to the upper nozzle on the pressure switch.
- 8.11 Combustion Chamber Insulation Boards**
- 8.11.1** Gain general access as 8.4
- 8.11.2** Remove room sealed front cover 8.5.2
- Remove front of combustion chamber 8.6.3
- Close Heating Valves 8.8.6. Remove Main Heat Exchanger 8.8.
- 8.11.3** To remove side combustion chamber insulation boards. Gently prise upwards and pull out.
- 8.11.4** To remove rear board. Gently prise upwards and pull out.
- 8.11.5** Fourth panel (front) is replaced complete with combustion chamber front panel.

- 8.12 Gas Control Valve, Modulator and Operators.**
Refer to figs 34-36
- 8.12.1** Gain general access 8.4
- 8.12.2** Turn off gas service tap.
- 8.12.3 Modulator Coil**
- 8.12.4** Pull off electrical leads from tab connectors.
- 8.12.5** Slacken large locknut, unscrew max. rate adjustment screw and remove (N.B. take care of spring and washer).
- 8.12.6** Remove modulator coil.
- 8.12.7** Replace in reverse order (see fig 54 for electrical connections).
- 8.12.8** Check burner pressures (cl 6.6).
- 8.12.9 Servo Pressure Regulator (fig 35)**
- 8.12.10** Pull off all electrical leads from modulator and operator tab connectors, also remove earthing tags.
- 8.12.11** Release modulator coil 8.12.3.
- 8.12.12** Remove 2 screws securing regulator to valve body.
- 8.12.13** Remove module and rubber diaphragm from valve body.
- 8.12.14** Carefully place new rubber diaphragm in position on valve body and fit replacement regulator taking care not to displace the diaphragm.
- 8.12.15** Replace 2 screws and tighten.
- 8.12.16** Reassemble in reverse order. See fig 54 for electrical connections.
- 8.12.17** Check burner pressures as clause 6.6

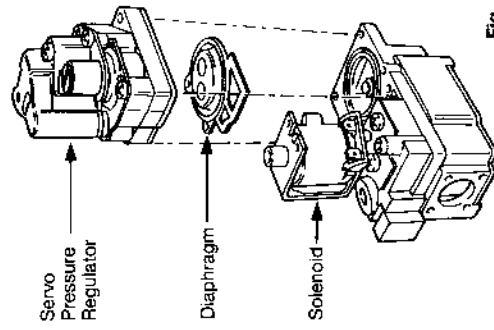


Fig. 35

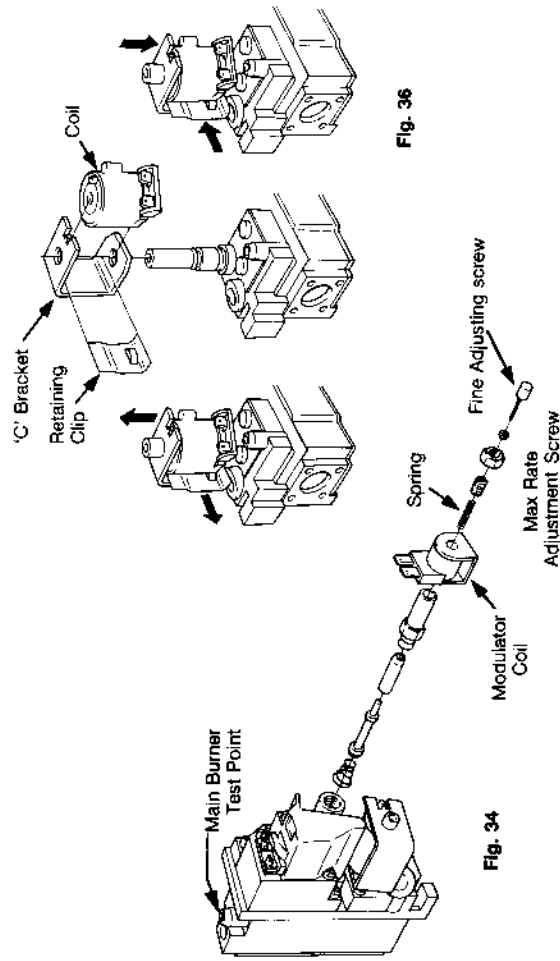


Fig. 36

- 8.12.18 Solenoid (fig 36)**
- 8.12.19** Pull off electrical leads from solenoid.
- 8.12.20** Remove the spring blade retaining clip.
- 8.12.21** Pull off the 'C' bracket and coil assembly. see fig 36
- 8.12.22** Place new coil in 'C' bracket and slide the assembly back onto the solenoid post.
- 8.12.23** Push the retaining clip back into position and check that bottom of clip has engaged in groove at base of solenoid. post.
- 8.12.24** See fig 54 for electrical connections.

Servo Pressure Regulator

Diaphragm

Solenoid

'C' Bracket

Retaining Clip

Coil

Main Burner Test Point

Spring

Fine Adjusting screw

Max Rate Adjustment Screw

Modulator Coil

8.13 Gas Control Valve

- 8.13.1 Gain access 8.4. Turn off gas supply. Disconnect 2 earth leads. Pull off all electrical connections to operators and remaining modulator coil.
- 8.13.2 Remove modulator coil and servo pressure regulator. Clauses 8.12.3 to 8.12.17.
- 8.13.3 The operators etc. can be transferred to any new valve to retain regulation settings.
- 8.13.4 Remove 4 flange securing screws at each end.
- 8.13.5 Remove 2 screws securing gas valve bracket to base frame and withdraw valve.
- 8.13.6 Replace in reverse order using new gaskets.
- 8.13.7 Test all joints for gas soundness.
- 8.13.8 Check burner pressures (cl 6.6).

If incorrect adjust as instructed in cl 8.24

8.14 Pump Part No 6090

- Refer fig 37
- 8.14.1 Gain general access as 8.4
- 8.14.2 Close heating flow and return valves (fig. 1, 18 and 20) by turning 1/4 turn until handles are horizontal.
- 8.14.3 Drain appliance via safety valve by 1/4 turn of safety valve knob.
- 8.14.4 Disconnect pipe union connection at front left corner of combustion chamber.
- 8.14.5 Disconnect top union on pump and remove pipe and air separator assembly from the pump.
- 8.14.6 Grasp pump and pull upwards with slight twisting movement to release pump from manifold.
- 8.14.7 Disconnect electrical leads from pump.
- 8.14.8 Reassemble in reverse order.

Reconnect electrical leads Brown to L, Blue to N and Green to E.

8.15 Heating Manifold Part No 3208

- Refer to fig. 38
- 8.15.1 Remove pump 8.14
- 8.15.2 Disconnect safety valve discharge pipe and heating valve unions.
- 8.15.3 Remove retaining screw (securing manifold to frame).
- 8.15.4 Disconnect expansion vessel pipe union, pressure gauge connection, domestic hot water heat exchanger union, heating flow union, connecting pipe to 3 port valve union and heating thermostat sensor.
- 8.15.5 Unscrew and remove retaining nut and remove micro switch.
- 8.15.6 Remove manifold.

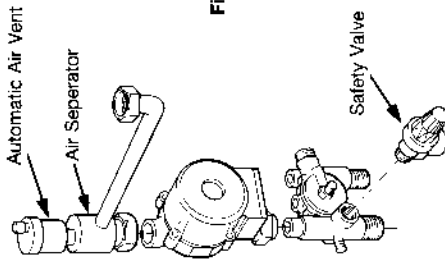


Fig. 37

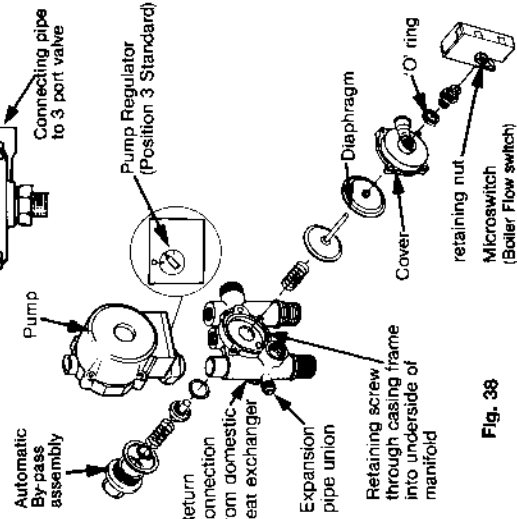


Fig. 38

Manifold Assembly

Release cover retaining screws and ease off with a screwdriver.

Refer to fig. 38 for location of components. Replace in reverse order, ensuring that washers are replaced in all union connections.

8.16 Removal of Domestic Hot Water Heat Exchanger

- Refer to figs 39, 40 and 41
- 8.16.1 Gain General access (8.4)
- 8.16.2 Close cold water inlet stopcock and central heating valves.
- 8.16.3 Open lowest draw-off or drain tap on hot water system.
- 8.16.4 Turn safety valve 1/4 turn to drain primary side.
- 8.16.5 Place receptacle or an absorbent pad below appliance to catch trapped water.
- 8.16.6 Remove retaining nut (fig. 40) and remove micro switch pulling tabs off fan overrun. (fig. 44)
- 8.16.7 Remove DHW expansion vessel (unscrew) as 8.20.
- 8.16.8 Disconnect main flow pipe unions from heat exchanger and 3-port valve and carefully move aside.
- 8.16.9 Disconnect 4 union nuts (fig. 39).
- 8.16.10 Ease the unit out of the appliance.
- 8.16.11 Reassemble in reverse order, using new fibre washers. NB When refitting main flow tube ensure sensors for temperature gauge and high limit thermostat are fully located in their relevant pockets.

8.17 3-Way Diverting Valve

- Refer to figs. 39 & 40
- 8.17.1 Gain general access 8.4
- 8.17.2 Close central heating valves (valve head is horizontal when closed).
- 8.17.3 Drain appliance via safety valve by 1/4 turn of knob.
- 8.17.4 Unscrew retaining nut and remove micro switch (fig 40).
- 8.17.5 Disconnect 3 pipe unions (prepare to catch a small quantity of water).
- 8.17.6 Unscrew connecting pipe to heating manifold.
- 8.17.7 Slacken retaining grub screws securing valve to manifold and withdraw valve. (if necessary slacken unions at opposite ends of connecting pipes to facilitate removal).
- 8.17.8 Reassemble in reverse order.

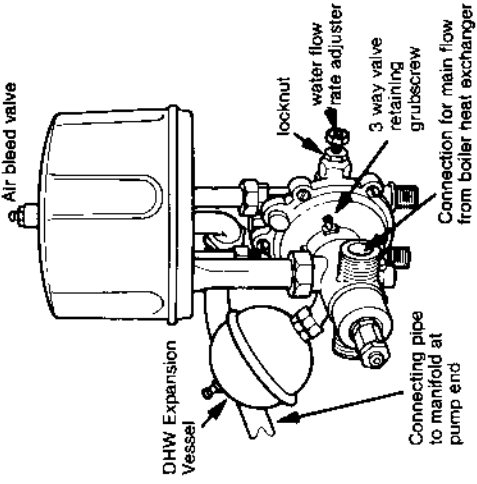


Fig. 39

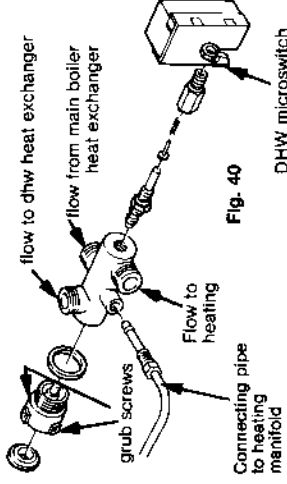


Fig. 40

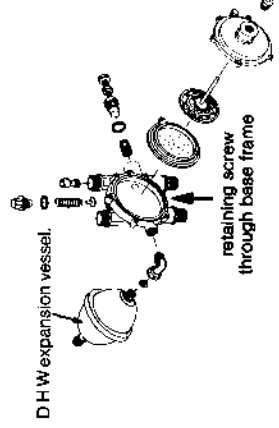


Fig. 41

8.18 Removal of Domestic Hot Water Manifold

- Refer to fig. 41
- Gain general access 8.4
- Remove 3 way diverting valve 8.17
- Close cold water inlet stopcock and drain secondary side by opening draw-off or drain tap.
- Remove dhw heat exchanger 8.16.
- Disconnect unions at cold water inlet and hot water outlet and remove manifold retaining screw (through base frame).
- Remove manifold (fig. 41) gives details of further disassembly.
- Reassemble in reverse order.
- NB Ensure sensors for temperature gauge and high limit thermostat are fully located in their relevant pockets.

8.19 Checking/Replacing Main Expansion Vessel

- The expansion vessel is factory pressurised to 1 bar (14.7psi) and should be checked during servicing. Should it have lost pressure it can be repressurised in situ. Drain the boiler. Fit a suitable pump and gauge (i.e. car foot pump and gauge) to the nipple at the top right-hand side of the expansion vessel, and pressurise to 1 bar (14.7psi) and remove the pump.

NOTE: Access to the nipple can be improved by loosening the upper vessel retaining screw and rocking the vessel forwards.

If the vessel cannot be repressurised or if pressure loss is very frequent the expansion vessel will require changing. Alternatively, a new vessel can be fitted in the return to the appliance, and the old vessel isolated in situ.

N.B. If the boiler is installed with a clearance above of 343mm (13.5in) or more and with a side exit flue it is possible to remove the expansion vessel in situ. follow steps 8.19.10 - 8.19.11

If the clearance above is less than 343 mm (13.5in) or with a back exit it is not possible to remove the expansion vessel in situ, follow steps 8.19.2 - 8.19.11

- Gain access 8.4
- Close central heating valves (valve head is horizontal when closed).
- Drain appliance via safety valve by 1/4 turn of knob.
- Remove screws on large maintenance clips (fig 43) and remove clips. Loosen screws on the small clips and remove flue elbow.
- Disconnect all pipe unions at the appliance base.

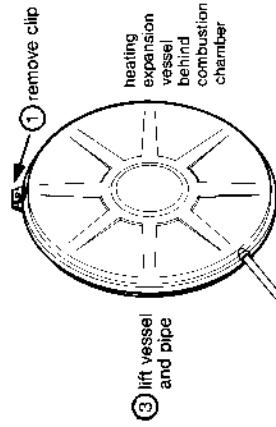


Fig. 42

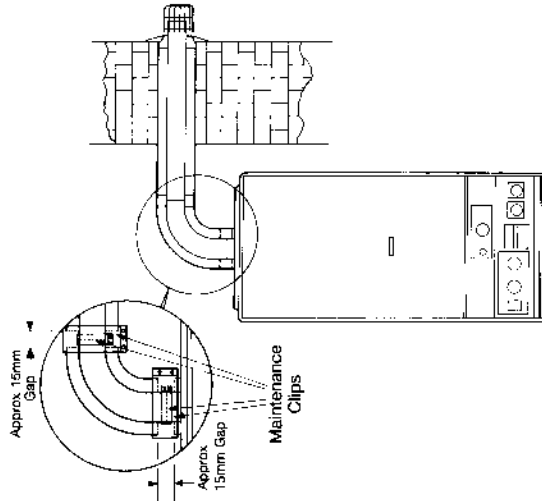


Fig. 43

Fig. 44

- Switch OFF mains electricity and gain general access. Disconnect electricity supply at p.c.b. (read cl. 5.7.)
- Remove lower fixings (fig. 13) and lift appliance off upper bracket.
- Refer to fig. 42
- Remove clip securing vessel at top. Disconnect expansion pipe at heating manifold, lift vessel & pipe out of appliance. Reassemble and remount all in reverse order.
- DHW Expansion Vessel**
- Refer to fig. 41
- Gain access 8.4
- Close cold water inlet stopcock. Open lowest draw off or drain tap on system.
- Unscrew vessel from 135 degrees support elbow.
- Re-assemble in reverse order.

Safety Valve

- Gain General Access 8.4.
- Drain down primary side of boiler by closing heating valves (1/4 turn until handle is horizontal). Turn safety valve 1/4 turn to drain appliance. Remove Heating Microswitch as 8.22.2.
- Unscrew safety valve discharge pipe. Unscrew complete valve from Heating Manifold. Replace in reverse order.

Removal of Electrical Components

- Ensure electricity is switched off at main isolator and gain general access (8.4)
- Heating Micro Switch Part No 4302**
- Refer to fig. 38
- Hold switch and unscrew retaining nut
- Remove switch and remove cover
- Pull off electrical tab connections.
- Reassemble in reverse order.
- DHW Microswitch Part No 4148**
- Refer to fig. 44
- Hold switch and remove locking nut securing it to the 3 way valve.
- Remove switch and remove cover.
- Pull off electrical tab connections.
- Reassemble in reverse order.
- High Limit Thermostat Part No 3409**
- Refer to fig. 44
- Pull off the two electrical connections on the back of the thermostat.

- Unscrew the black cap, and remove retaining nut.
- Remove capillary tube retaining clip from flow tube and withdraw sensor probe.
- Reassemble in reverse order. Ensuring both sensors are fully located before re-clipping.
- Safety Thermostat Part No. 5441**
- Refer to fig. 44

- Disconnect two electrical connections. One on rear of High Limit Stat and one at inline connector joint.
- Ease off thermostat retaining clip.
- Reassemble in reverse order.
- Heating Thermostat Part No. 3212**
- Refer to figs. 45 & 46
- Drain down primary side of boiler by closing heating valves (1/4 turn until handle is horizontal). Turn safety valve 1/4 turn to drain appliance.

- Trace capillary tube to heating manifold unscrew sensing probe retaining nut and withdraw probe.
- Pull electrical tabs off back of thermostat.
- Pull knob off front revealing 2 retaining screws.
- Remove screws to release thermostat and remove.
- Reassemble in reverse order using a new fibre washer.

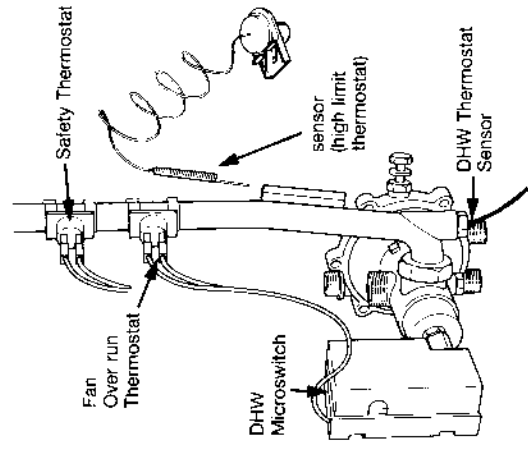


Fig. 45

- 8.22.28** Refer to figs 45 & 46 to ensure correct location of thermostat and push-on wiring tabs.
NB When changing this thermostat it may be necessary to repressurise the system (section 6.3.3 gives details).
- 8.22.29** **Hot Water Thermostat**
Part No 5394
Refer to figs. 44 & 45
Drain down primary side of boiler by closing heating valves (1/4 turn until handle is horizontal). Turn safety valve 1/4 turn to drain appliance.
- 8.22.30** Unscrew sensing probe from bottom of main flow tube, (fig. 44) N.B. if the plastic grill has not been removed (8.4.2) it will need to be done now.
- 8.22.31** Pull electrical tabs off back of thermostat.
- 8.22.32** Remove screws, release pulse clip and remove thermostat.
- 8.22.33** Reassemble in reverse order.
- 8.22.34** Refer to fig. 45 to ensure correct location of thermostat and push on wiring tabs. Orange wire to terminal P1 Red wire to terminal 2
- 8.22.35** NB When changing this thermostat it may be necessary to repressurise the system (section 6.3.3 gives details).

- 8.22.37** **Electronic Ignition Controller**
Part No 5637
Refer to fig. 45
Gain general access 8.4
- 8.22.38** Pull off cable connector and ignitor lead.
- 8.22.39** Remove fixing screw on right hand side and remove controller.
- 8.22.40** Reassemble in reverse order.
- 8.22.41** **Removal of Printed Circuit Board**
Part No 5643
Refer to fig. 45
Press in the slides of the printed circuit board cover (fig. 45) to release retaining clips and lift cover off.
- 8.22.42** Disconnect external incoming live and neutral and any control wiring from terminal strip.
- 8.22.43** Remove 7 plugs from p.c.b
- 8.22.44** Pull tab connectors off both rocker switches.
- 8.22.45** Pull back p.c.b retaining lugs and remove p.c.b.
- 8.22.46** Replace in reverse order
- 8.22.47** Replace electrical connections. Refer to fig. 47 to ensure correct locations.

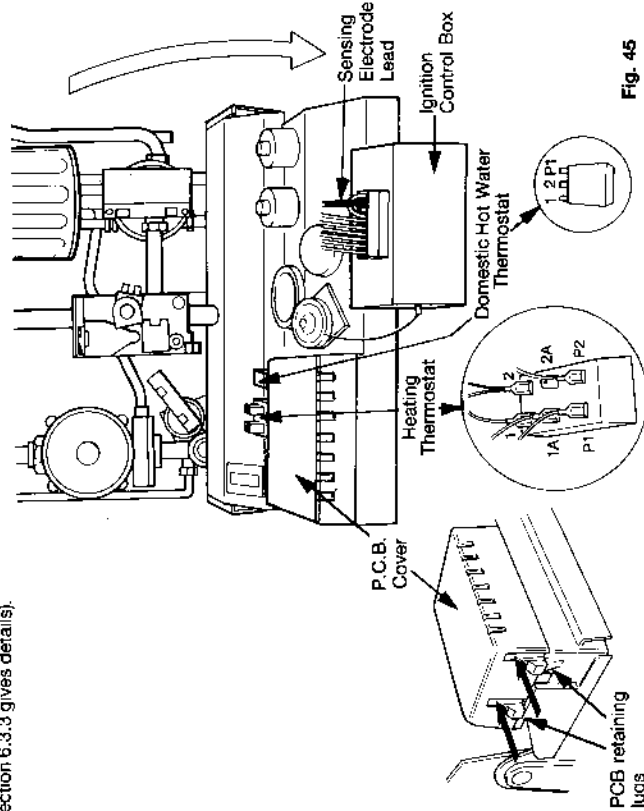


Fig. 45

- 8.22.50** **Switches (On/Off and Timed/Summer/Constant or Mode Selector)**
Part No 5284 & 4981
Refer to fig. 47
Pull off tab connectors squeeze spring latching tabs at the back of the panel and push switch outwards.
- 8.22.51** To replace refer to fig 47 to ensure switch is in correct attitude and press into hole from the front until spring tabs latch. Refer to fig. 47 for correct wiring details.
- 8.22.52** **Fan Over-Run Thermostat**
Part No 4931
Refer to fig. 44
Pull off tab connectors and ease off thermostat retaining clip.
- 8.22.53** Reassemble in reverse order.
- 8.22.54** **Removal of timer delay**
PART No. 6759.
Remove pcb cover as 8.22.43.
Remove plug on delay timer.
- 8.22.55** Where nylon support posts protrude through the timer delay board, squeeze the spring tabs with pliers and pull the timer delay outwards to release.
- 8.22.56** Replace in reverse order.

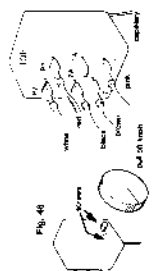


Fig. 46

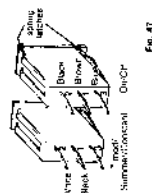


Fig. 47

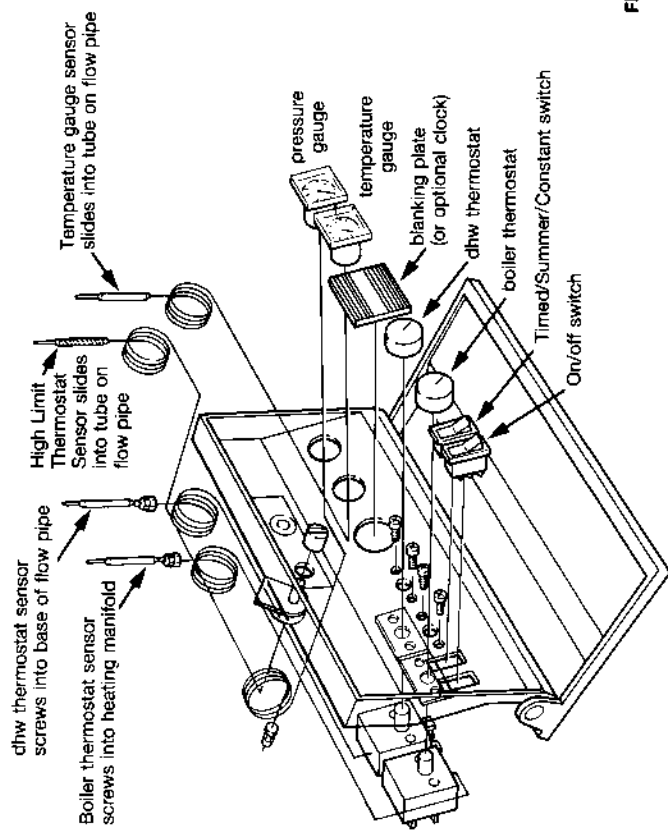


Fig. 48

8.23.8 Temperature Gauge
Part no 5262
Refer to fig. 48

8.23.9 Trace capillary to sensor. Remove purse clip and capillary tube retaining clip from flow tube and withdraw sensor.

8.23.10 Squeeze plastic locking lugs behind fascia and press gauge from aperture.

8.23.11 Re-assemble in reverse order ensuring locking lugs are located in the grooves, and capillary clip is refixed.

8.24 Setting Gas Pressures

ALL SETTINGS DONE WITH "U" GAUGE FITTED TO BURNER TEST NIPPLE AS INSTRUCTED IN CLAUSE 6.6

8.24.1 Setting Maximum Rate

Turn off electrical supply to boiler and follow instructions in section 8.4 to gain access. Refer to Fig. 49

Loosen small locknut. Unscrew completely the fine adjusting screw.

If not already on, turn on Hot Water tap and electrical supply.

Adjust main gas pressure by loosening 10mm nut and turning slotted screw clockwise to increase pressure. Anti-clockwise to decrease (set pressure to 10.0mbar/4.0 in wg plus or minus 1.0mbar/0.4 in wg).

Carefully tighten lock nut without altering setting.

Turn off tap and electrical supply.

Replace fine adjusting screw.

8.24.2 Setting Minimum Rate

Remove wire on No 2 terminal of Hot water stat replace on No 1 terminal (see fig. 45).

Turn on electrical supply. Turn on tap. The boiler will light up in Hot Water mode at low flame. Adjust pressure using fine adjusting screw turn clockwise to increase anti-clockwise to decrease (set pressure at 1.7mbar/0.68in wg plus or minus 0.17mbar/0.06in wg).

Tighten locknut.

Turn off tap. Turn off electrical supply.

Remove wire on No 1 terminal on Hot water stat and replace on No 2.

8.24.3 Setting Ignition Heat Input (Soft Light Ignition)

Turn off the main electricity supply. Disconnect the sensing electrode lead from terminal 9 on the ignition control box (fig. 20)

Turn on the main electricity supply and turn on a domestic hot water tap to operate the boiler in dhw mode.

The boiler will now light at a reduced pressure, the reading should be 4.0mbar/1.6in w.g.(plus or minus 0.4mbar/0.16in w.g.) use a screwdriver to adjust the potentiometer (fig. 50) until the correct pressure is indicated on the gauge.

NB. while setting the soft light pressure the boiler will only light for approximately 10 seconds before going to lockout. If the setting has not been completed in this time turn off the mains electricity supply and repeat the procedure again.

Turn off the main electricity supply and reconnect the sensing electrode lead to terminal 9 on the ignition control box.

8.24.4 Central Heating (Range Rating) to Set Maximum Rate in Central Heating Mode.

See clauses 6.6.16 for necessary adjustments. Refer to the commissioning engineer on the boiler badge.

8.25 End of Servicing

Run through the general commissioning as described in Section 6 as far as they apply. Refit casings and clean up.

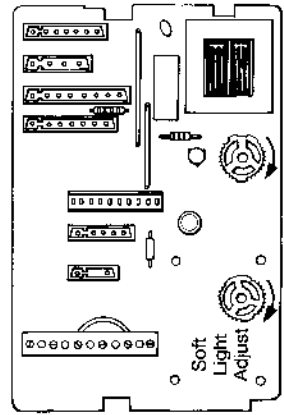
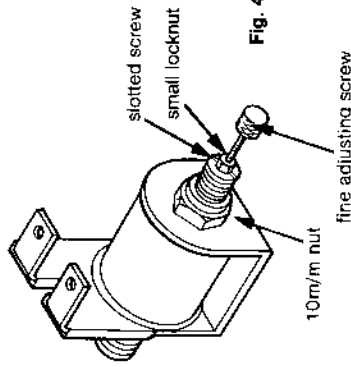


Fig. 50

9.1

On completion of any service/repair task which has required the breaking and remaking of electrical connections, the checks Earth Continuity, polarity and Resistance to Earth must be repeated.

The following flow diagrams suggest the logical sequence of steps for fault finding. They are not exhaustive but cover all that can reasonably be carried out on site by the installer.

Acquaintance with the functional sequence will prove helpful for some, and this is included for reference. As further help, the role of each part is briefly described.

Also included in this section are wiring diagrams and schematics to assist in fault location and servicing as described in the text.

9.2 Sequence of Functions

When following this sequence, refer to figs. 52 & 54. It is assumed that the on/off switch is ON.

9.2.1 Domestic Hot Water Mode

Turning on a tap will operate the hot water flow switches, which will energise the pump and terminal 1 (normally closed) on the pressure differential switch.

If the fan is running due to the fan overrun then operation of the boiler flow switch will remove the supply from the fan, allowing it to run down, and when the pressure differential switch returns to its non operated position, the transformer is energised causing the contacts of R1 to be made.

The fan will start and the pressure differential switch will change over energising terminals 7 and 10 of the electronic ignition control via the high limit and safety thermostats.

There will be a short delay, followed by the gas valve being energised and the electrode to start sparking.

If a flame is detected during the ignition attempt period, (8-12 seconds) the sparking would stop, and the gas valve would remain energised, and the boiler will produce hot water as described below.

If a flame is not detected the boiler will go to lock-out (failure to detect a flame during the ignition attempt period).

At which time the gas valve will be de-energised and the sparking will stop. To reset the boiler after lock-out turn off the boiler on/off switch for at least 5 seconds.

The operation of the dhw flow switch also completes the low voltage control circuit for the modulation coil on the Gas Valve.

The normally open (make on rise) dhw Thermostat remains open circuit when calling for heat. Zero voltage on the coil permits maximum gas rate.

Closure of the thermostat provides full voltage at the coil which closes the operator to give the set minimum gas rate.

Successive operation of the thermostat alternates the boiler between high and low fire to regulate the average heat input.

Note that the sensor of the dhw thermostat senses the temperature of primary water leaving the main heat exchanger. The amount of heat transferred from the primary water to the dhw tap water depends on the temperature difference between them.

Therefore as the dhw temperature rises the primary water temperature will tend to rise also.

The dhw thermostat senses this and controls the gas rate accordingly.

When the domestic water draw off rate drops below the permitted minimum (2.8 l/min) the dhw flow switch reverses and the boiler reverts either to the "rest" mode when the fan will overrun to remove residual heat or, if there is a heating call, to the mode described below.

9.2.2 Central Heat Mode

In this mode the timed/summer/constant switch must be in the closed i.e. constant position.

With all controls calling for heat the pump will run and a supply through the boiler 2nd stage thermostat which will after a short delay period (approx 2 mins) energise terminal 1 (normally closed) on the fan pressure differential switch.

If the fan is running due to the fan overrun then operation of the boiler flow switch will remove the supply from the fan, allowing it to run down, and when the pressure differential switch returns to its non operated position, the transformer is energised causing the contacts of R1 to be made.

The fan will start and the pressure differential switch will change over energising terminals 7 and 10 of the electronic ignition control via the high limit and safety thermostats.

There will be a short delay, followed by the gas valve being energised and the electrode to start sparking.

If a flame is detected during the ignition attempt period, (8-12 seconds) the sparking would stop, and the gas valve would remain energised, and the boiler will operate for central heating as described below.

The control circuit is via the 1st stage of the boiler thermostat when the thermostat calls for heat it is open circuit (i.e. make on rise). Control current to the gas valve modulating coil is subject to the resistance of the potentiometer. The resulting low voltage to the coil positions the gas valve for the maximum central heating rate.

On reaching the set temperature the thermostat closes, by-passing the potentiometer and imposing maximum voltage on the modulating coil. The boiler then operates at the set minimum rate.

Successive operations of the thermostat regulates the average heat input to that required.

If, on low fire, the boiler temperature continues to rise the 2nd stage thermostat breaks P2-2A putting the burner circuitry back into the 'rest' mode.

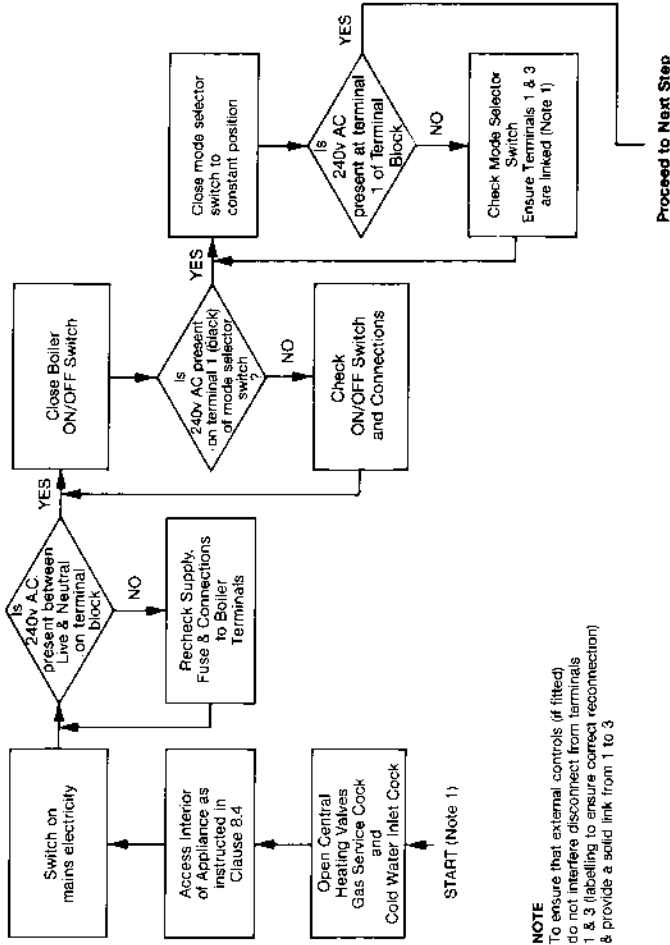
P2-2 is made and so keeps the pump running to circulate to the radiators.

If the supply to P2 of the thermostat is broken (e.g. by a room thermostat) both the burner and pump are switched off.

However, the fan over-run thermostat provides an alternative supply to the fan, keeping it running until the boiler temperature drops to about 60°C.

Should there be a restriction in the heating circuit reducing the flow rate through the boiler to below 350 litres/hour (1.28gpm), the boiler circuit flow switch will open and de-energise the gas valve.

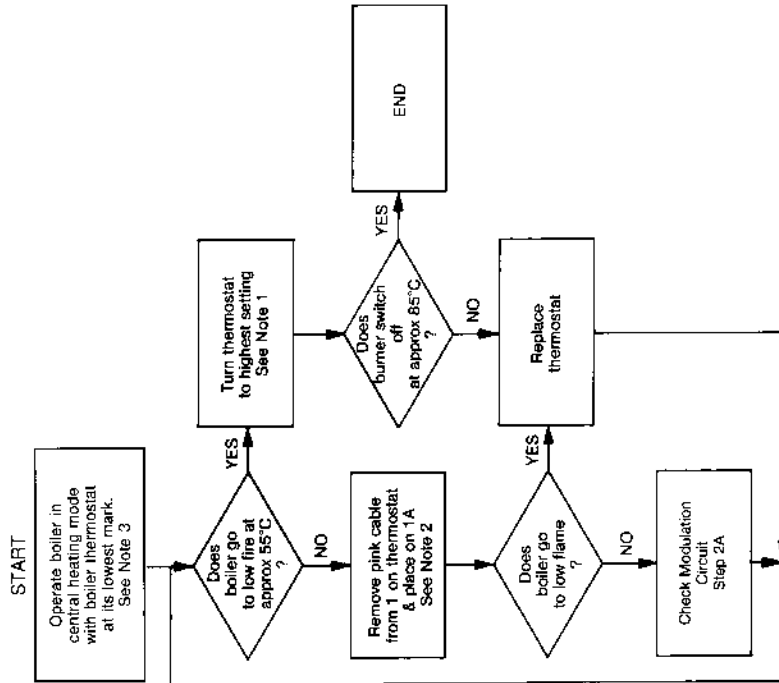
FAULT FINDING STEP 1 CHECK ELECTRICAL SUPPLIES, SWITCHES & CONNECTIONS



NOTE
To ensure that external controls (if fitted) do not interfere disconnect from terminals 1, 2 & 3 (labelling to ensure correct reconnection) & provide a solid link from 1 to 3

FAULT FINDING STEP 2

CHECKING C/H THERMOSTAT CIRCUITS



NOTES

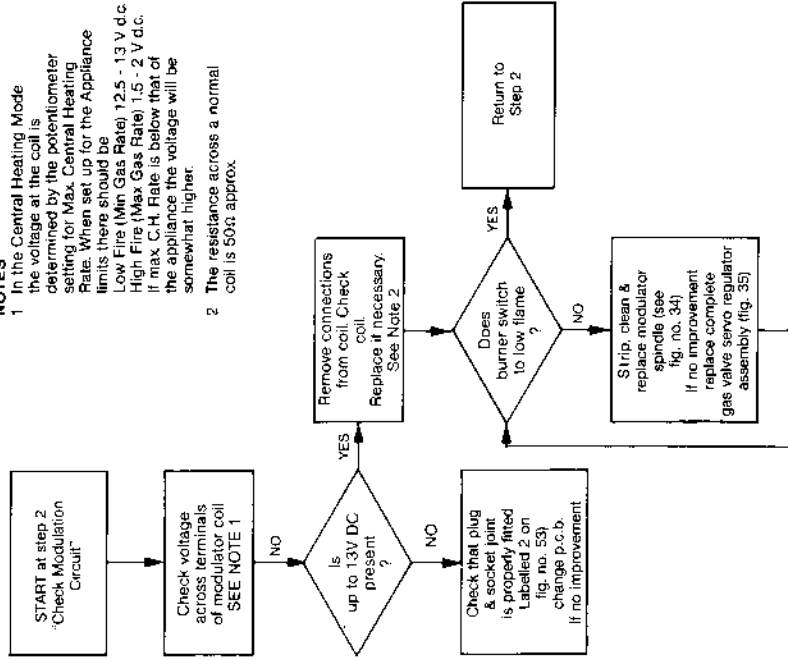
- 1 Reduce number of radiators turned on to give quick response. Observe controls switch 1st to LOW and then OFF.
- 2 IMPORTANT. Turn off electricity to make change. N.B. The white/black/brown leads are 240V AC. The pink and red leads are 12.5V DC. Do not confuse.
- 3 A time delay of approximately 2 minutes is imposed on an ignition attempt.

FAULT FINDING STEP 2A

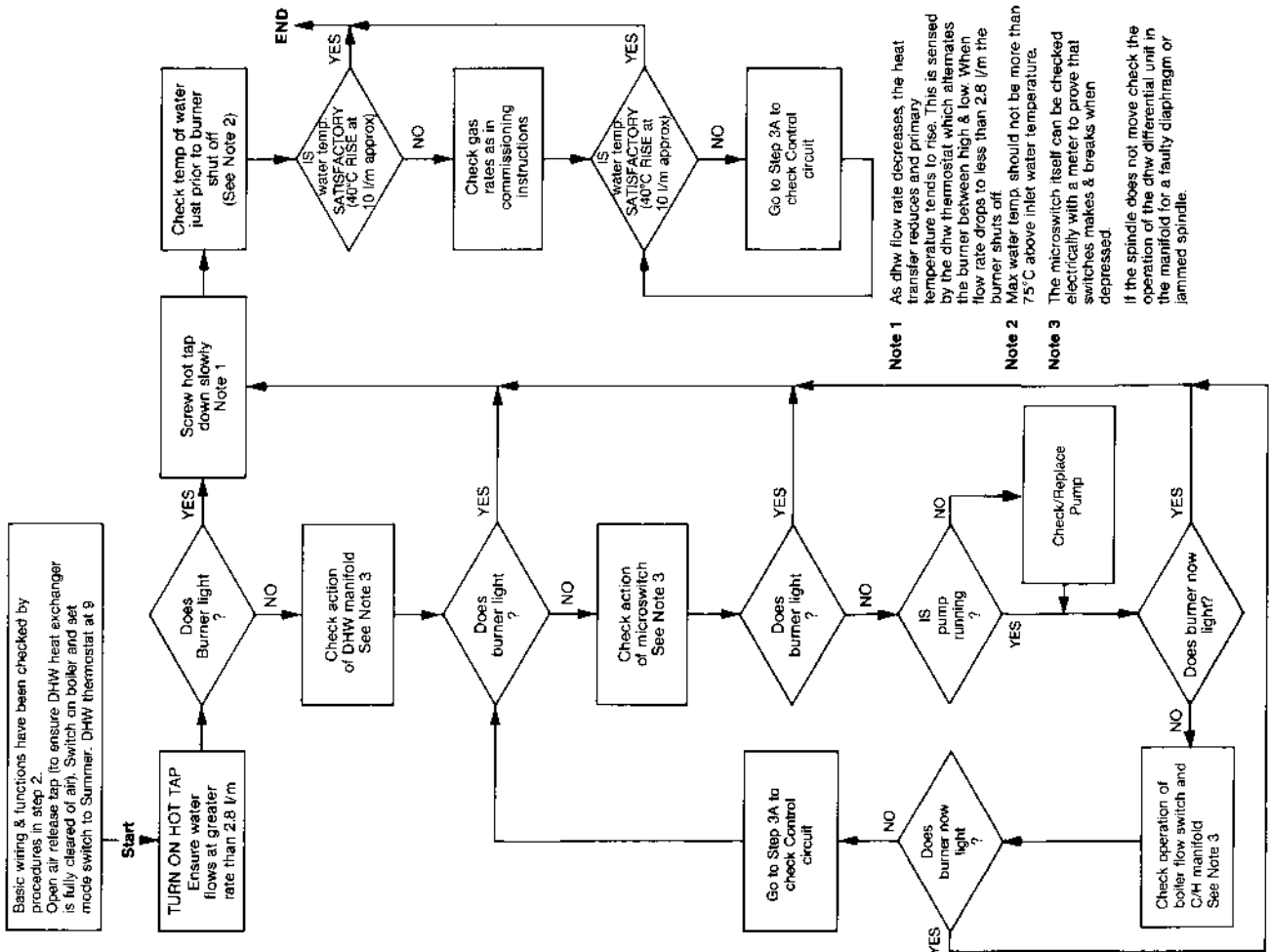
CHECK MODULATION CIRCUIT IN C/H MODE

NOTES

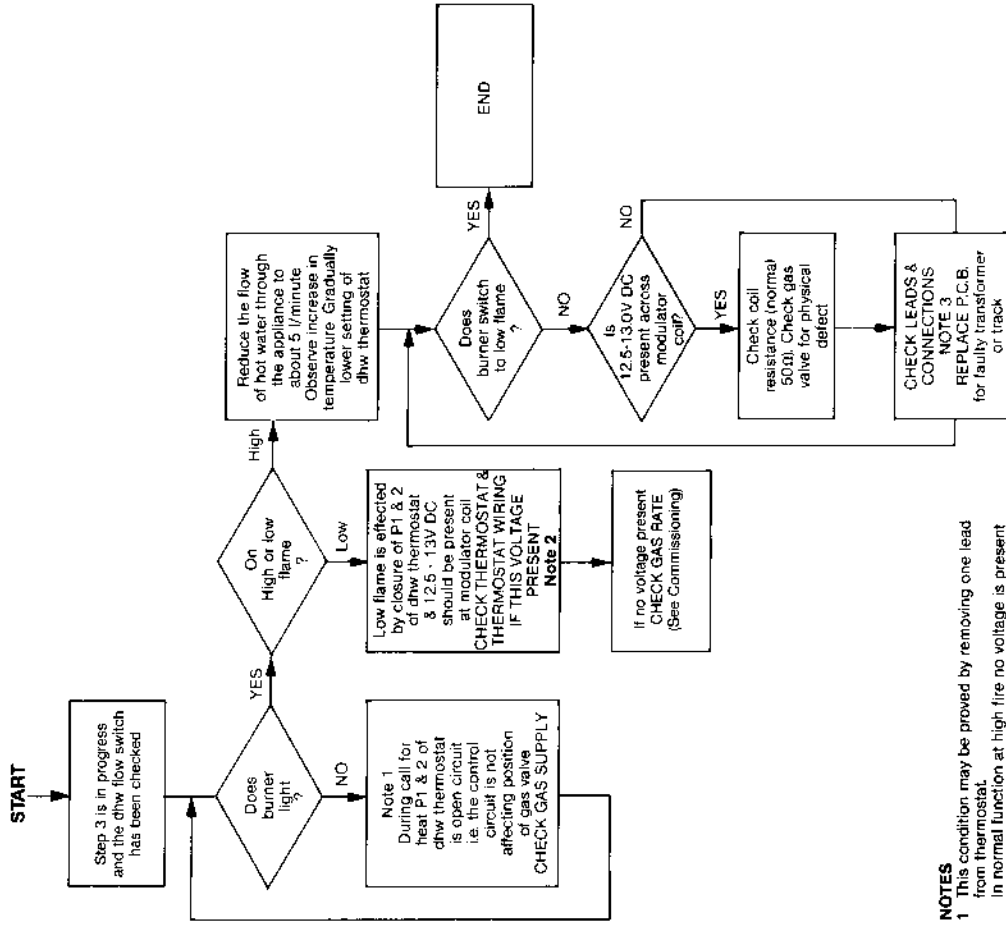
- 1 In the Central Heating Mode the voltage at the coil is determined by the potentiometer setting for Max. Central Heating Rate. When set up for the Appliance limits there should be Low Fire (Min Gas Rate) 12.5 - 13 V d.c. High Fire (Max Gas Rate) 1.5 - 2 V d.c. If max C.H. Rate is below that of the appliance the voltage will be somewhat higher.
- 2 The resistance across a normal coil is 50Ω approx.



FAULT FINDING STEP 3 CHECKING DOMESTIC HOT WATER FUNCTION



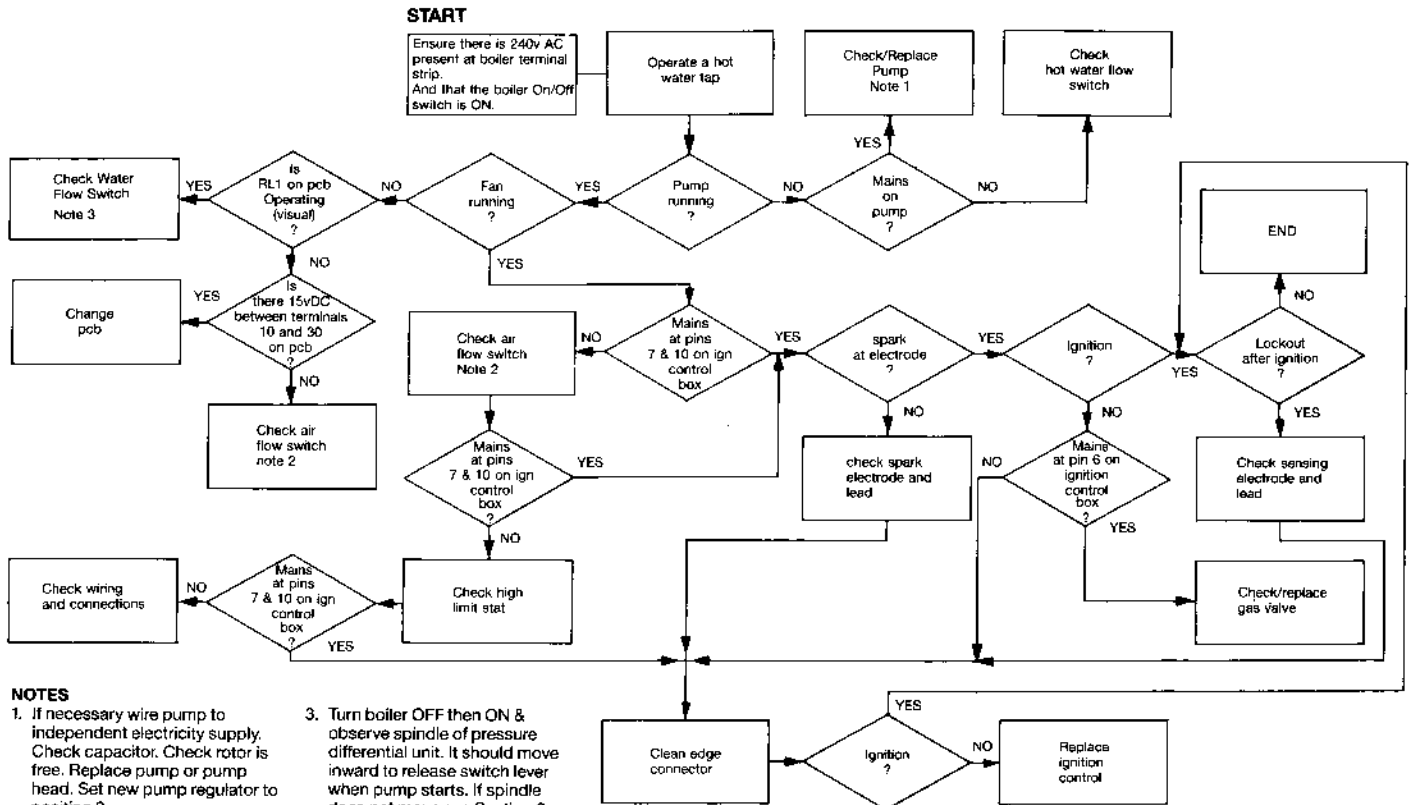
FAULT FINDING STEP 3A CHECK CONTROLS IN DHW MODE



Instructions for (A) Fitting Vokera 24 Hour Time Switch (Part No. 032 GC No. 301 110) and Fitting Vokera Digital 7 Day Time Switch (Part No. 05 G.C. No. 301 109); (B) Wiring to external Time Switches, Room Thermostats and Frost Thermostats

FAULT FINDING STEP 4

CHECKING OPERATION OF ELECTRONIC IGNITION



NOTES

1. If necessary wire pump to independent electricity supply. Check capacitor. Check rotor is free. Replace pump or pump head. Set new pump regulator to position 3.
2. Check if 240v AC on N/O terminal. Check air tube correctly fitted. (Top nozzle on switch)
3. Turn boiler OFF then ON & observe spindle of pressure differential unit. It should move inward to release switch lever when pump starts. If spindle does not move see Section 6. clause 11 & 8.15. If switch operates check switch with meter. Replace if faulty.

A. Installation of the Vokera time switches (24 Hr and 7 day)

Remove the clock aperture blanking plate (1) (fig 1) by squeezing the two lugs on the rear of the plate together and push the plate out.

Remove the clock from its box.

Wipe the clock as shown in fig. 4.

Insert the clock into the aperture from the back of the control panel. Push the mounting bezel (2) through the front panel and secure to the clock using the four screws provided. (See fig 2)

Connect the other ends of the wires as detailed below. (fig 3)

White/Red - connects to double connector on black wire on top terminal of On/Off Switch.

Blue: connect to bottom terminal marked N on main terminal strip.

White: Connect to terminal 1 on main terminal strip, (leave link 1-3 connected if no room thermostat is used).

Red/Black: Connect to spare terminal on rear of timed/summer/constant switch.

Remove the loop between terminals 1 & 3 on the boiler terminal strip if a room stat is also fitted.

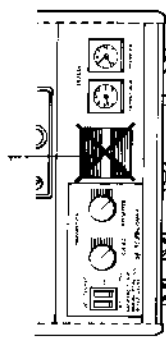
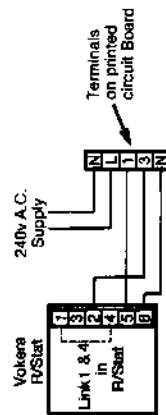


Fig. 1

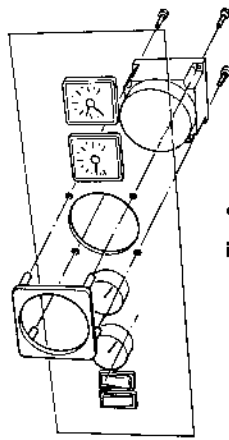


Fig. 2

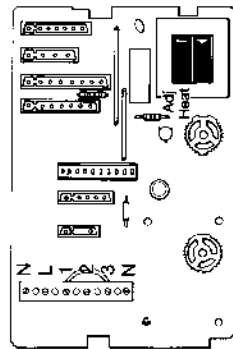


Fig. 3

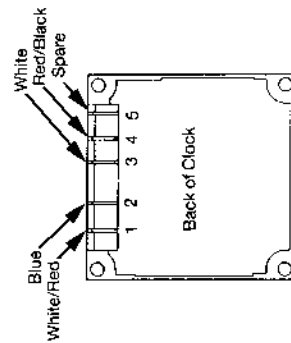
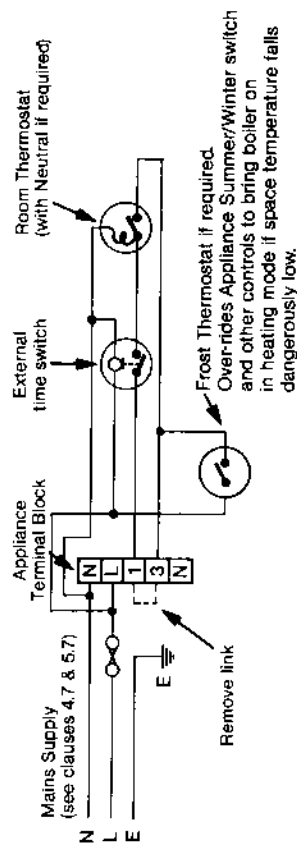


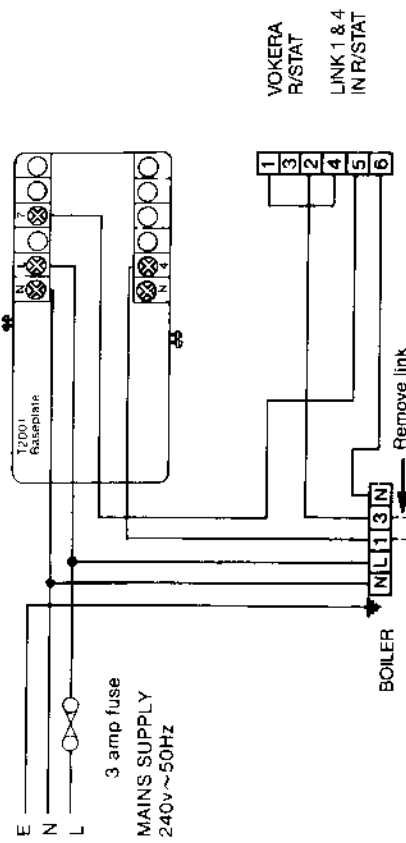
Fig. 4

B. Wiring to External Time Switches and Thermostats

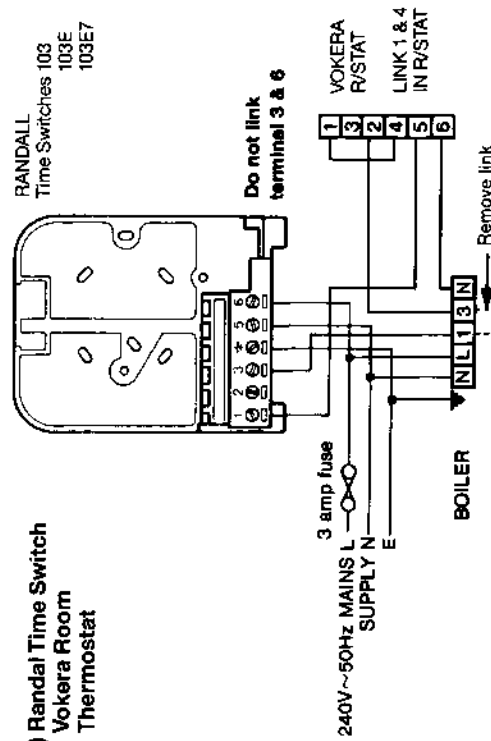
(i) General Schematic Diagram.



(ii) Towerchron Time Switch Vokera Room Thermostat



(iii) Randall Time Switch Vokera Room Thermostat



EXPLODED DIAGRAMS Fig. 51

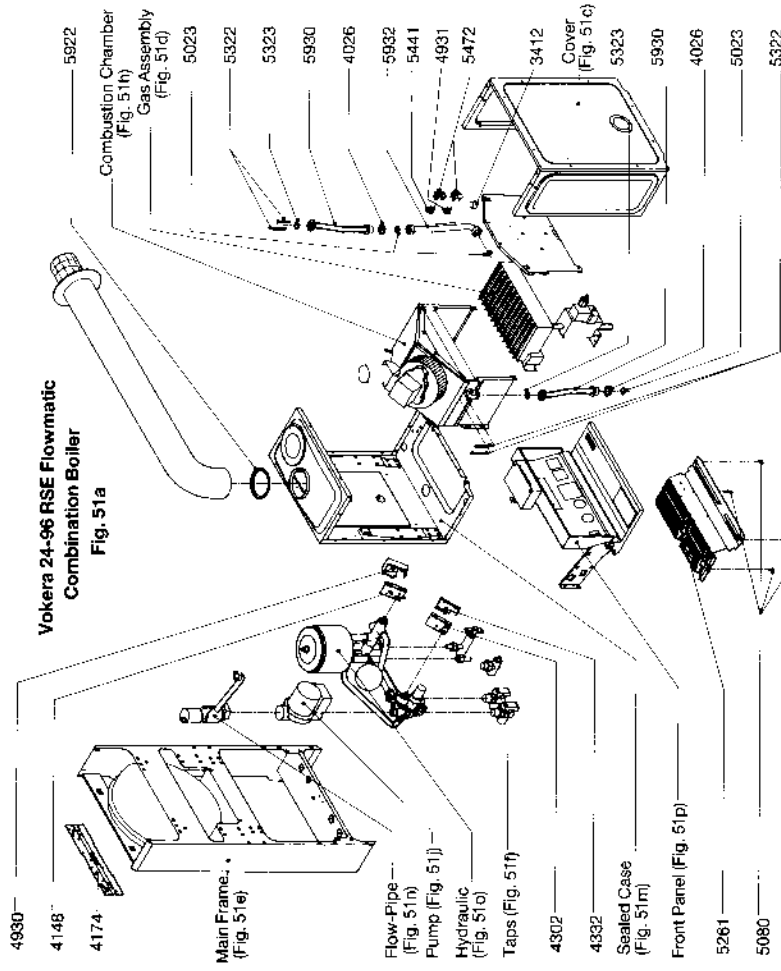


Fig. 51d Gas Assembly

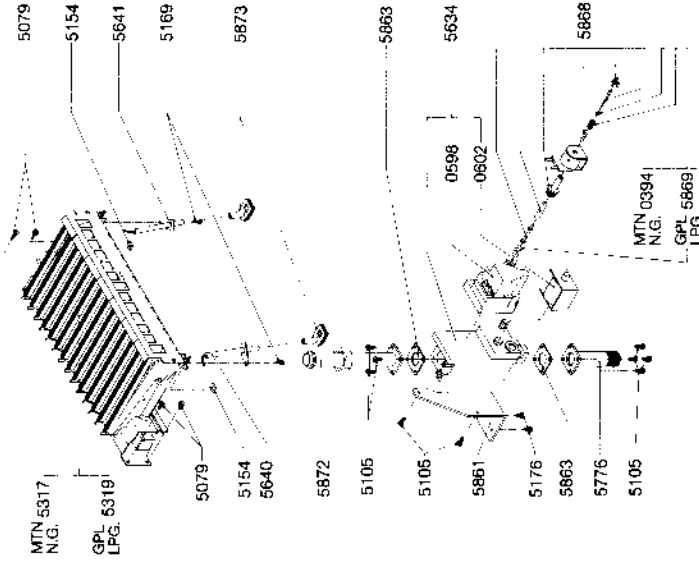


Fig. 51e Expansion Vessel 10 ft.

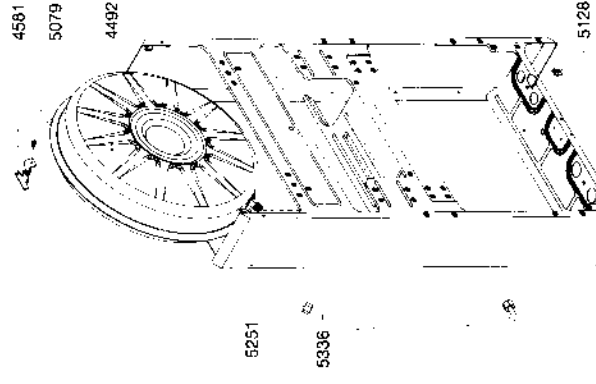


Fig. 51f Taps and Connection Pipes

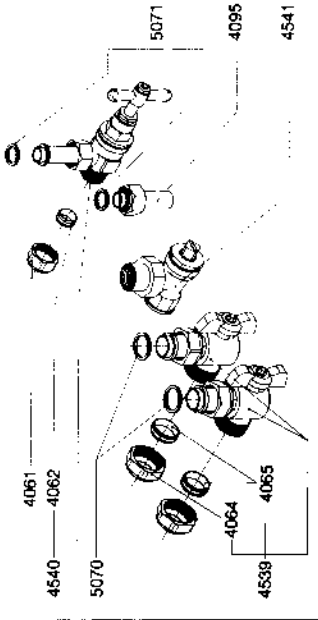


Fig. 51g Three Port Diverter Valve

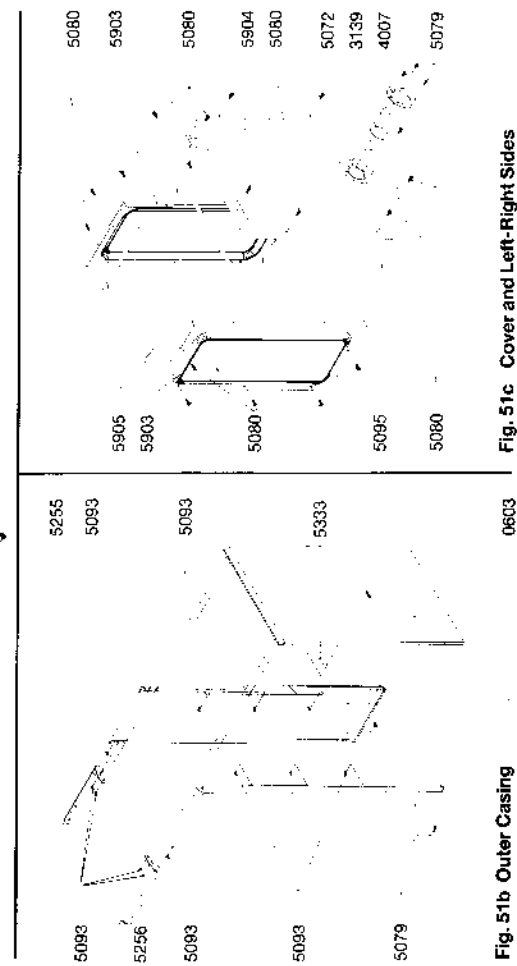
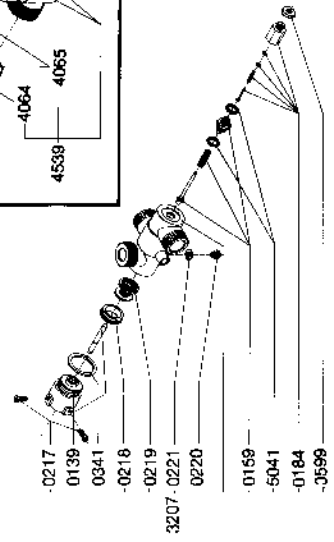


Fig. 51b Outer Casing

Fig. 51c Cover and Left-Right Sides

Fig. 51h Combustion Chamber

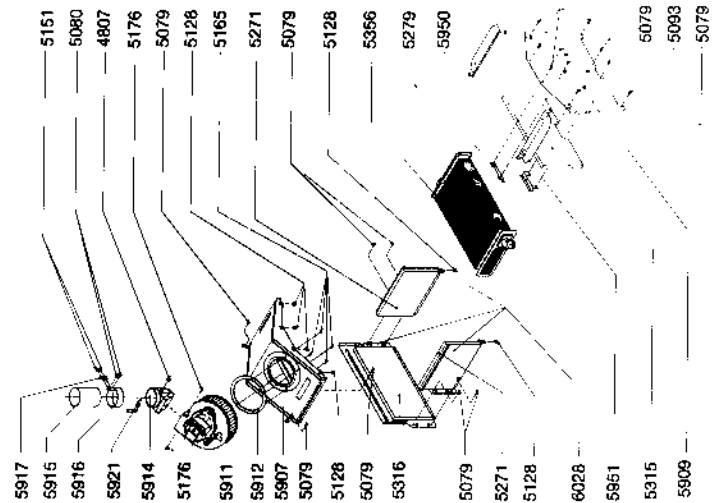


Fig. 51i 90° Bend

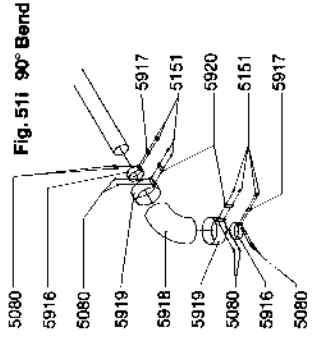


Fig. 51j Circulation Pump 15-50

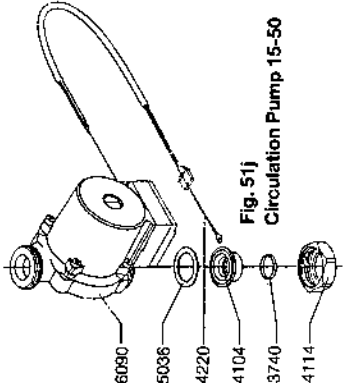


Fig. 51k Central Heating Manifold with Automatic By-Pass

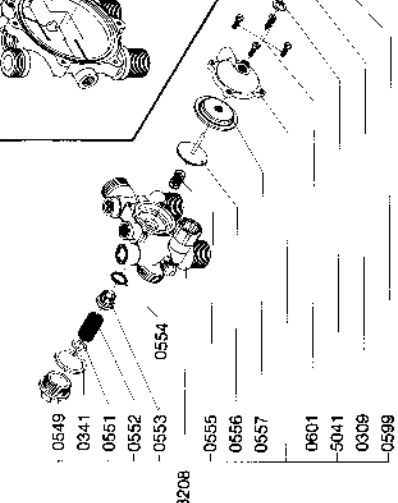


Fig. 51l Domestic Hot Water Manifold

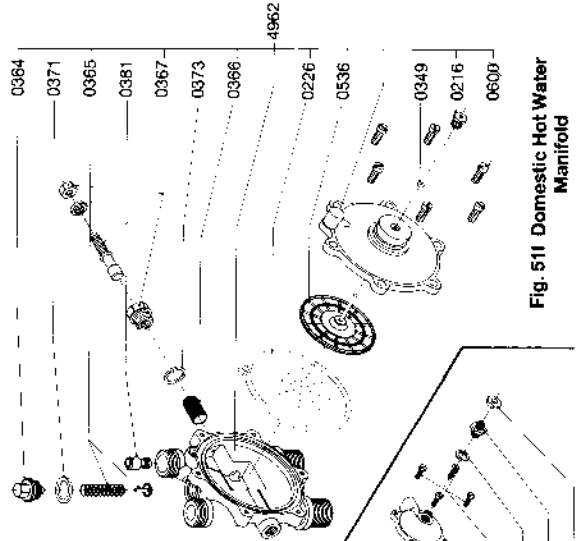


Fig. 51m Flow-Pipe with Air Separator

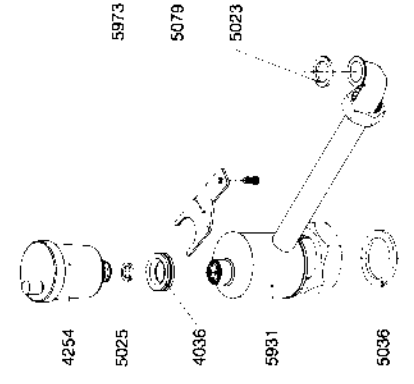


Fig. 51n Sealed Case

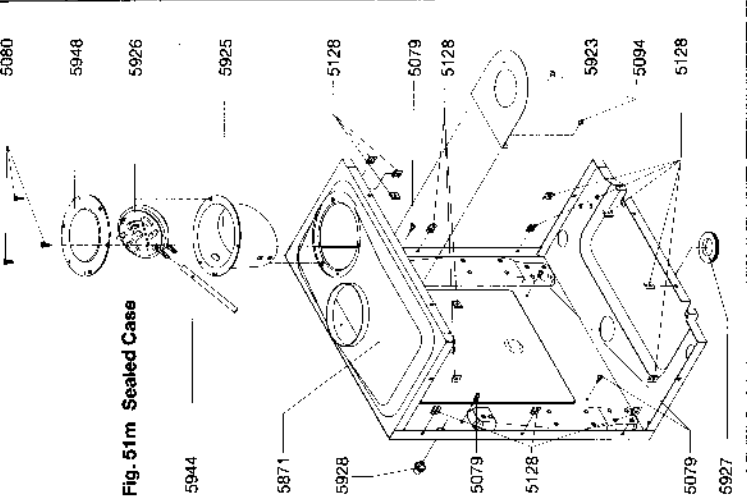
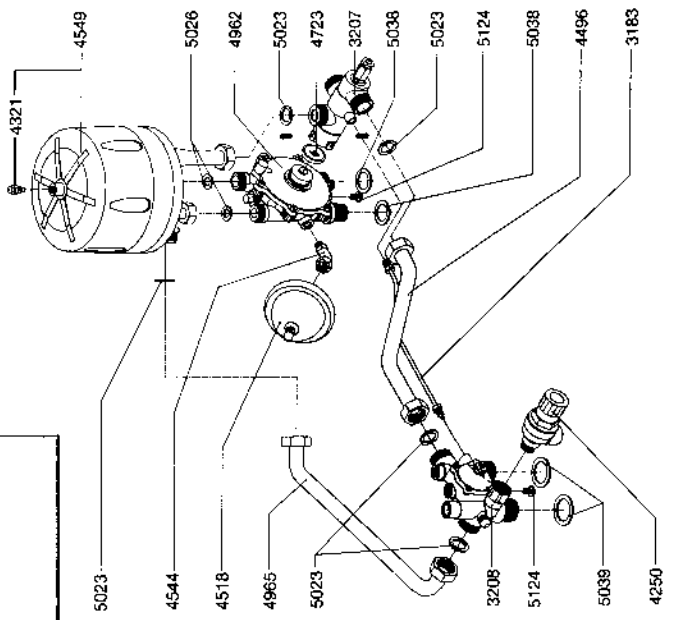


Fig. 51o Hydraulic



SHORT SPARE PARTS LIST

Code	G.C. No.	Description
0226	333 929	Domestic Diaphragm
0367	333 832	Domestic Water Flow regulating screw
0557	333 941	Flow switch diaphragm
0598	333 972	Servo pressure regulator
0602	333 976	Solenoid
3207	333 943	3-way diverting valve
3208	333 944	Heating Manifold
3212	333 945	Boiler thermostat
3409	333 978	High Limit thermostat
4095	333 720	Hot Water Outlet
4148	333 951	Triple Microswitch
4250	333 772	Safety valve
4254	333 722	Automatic Air Vent
4302	333 773	Single micro switch (flow switch)
4492	333 733	Expansion Vessel
4518	333 885	Domestic Expansion Vessel
4540	333 779	Mains stop cock
4541	333 780	Gas Service tap
4549	333 965	Domestic Heat Exchanger
4962	333 903	Domestic Distribution Manifold
4981	333 961	Timed/Summer/Constant Switch
5262	301 003	Temperature Gauge
5263	301 004	Pressure Gauge
5264	301 005	Thermostat knob
5284	301 009	On/Off switch
5317	301 017	Main Burner
5356	301 023	Main Heat Exchanger
5394	301 025	Domestic thermostat
5634	301 029	Gas valve
5637	301 032	Electronic Ignition control
5640	301 034	Spark electrode
5641	301 035	Sensing electrode
5643	301 036	Printed circuit board
5888	301 041	Modulator coil
5911	397 751	Fan
5926	301 063	Pressure differential switch
4931	333 899	Fan over-run thermostat
6090	384 288	Grundfos circulating pump UPS 15-50

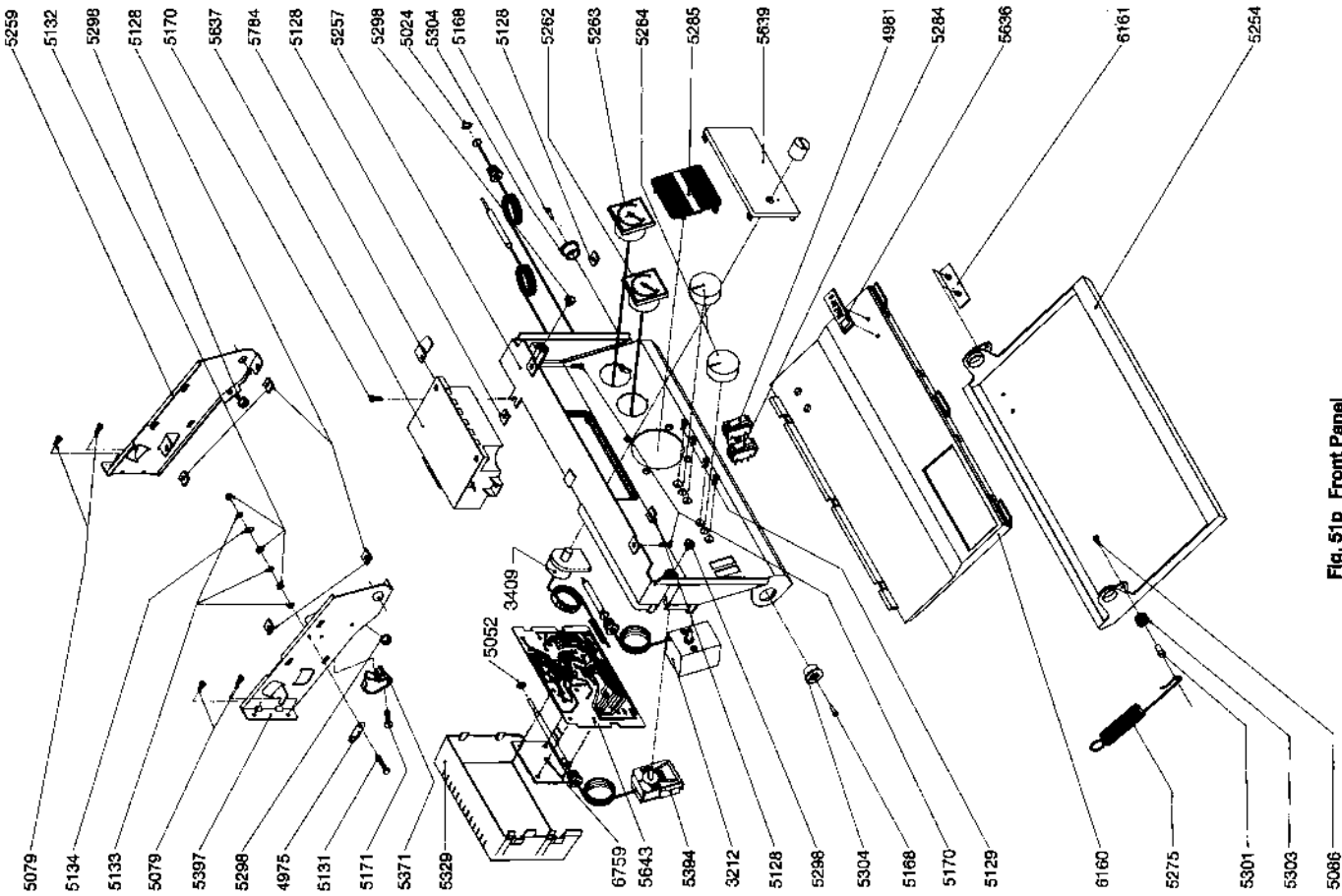
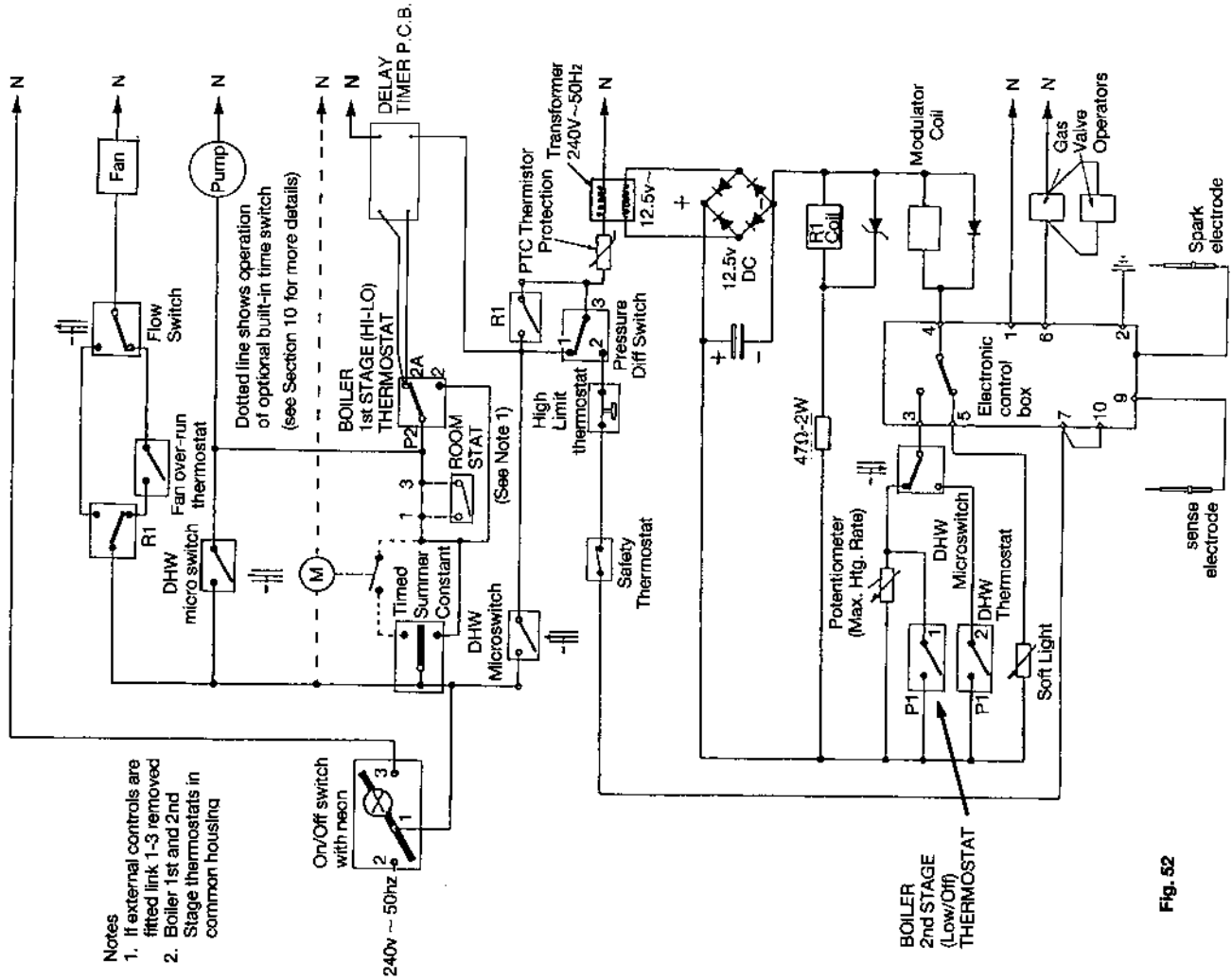
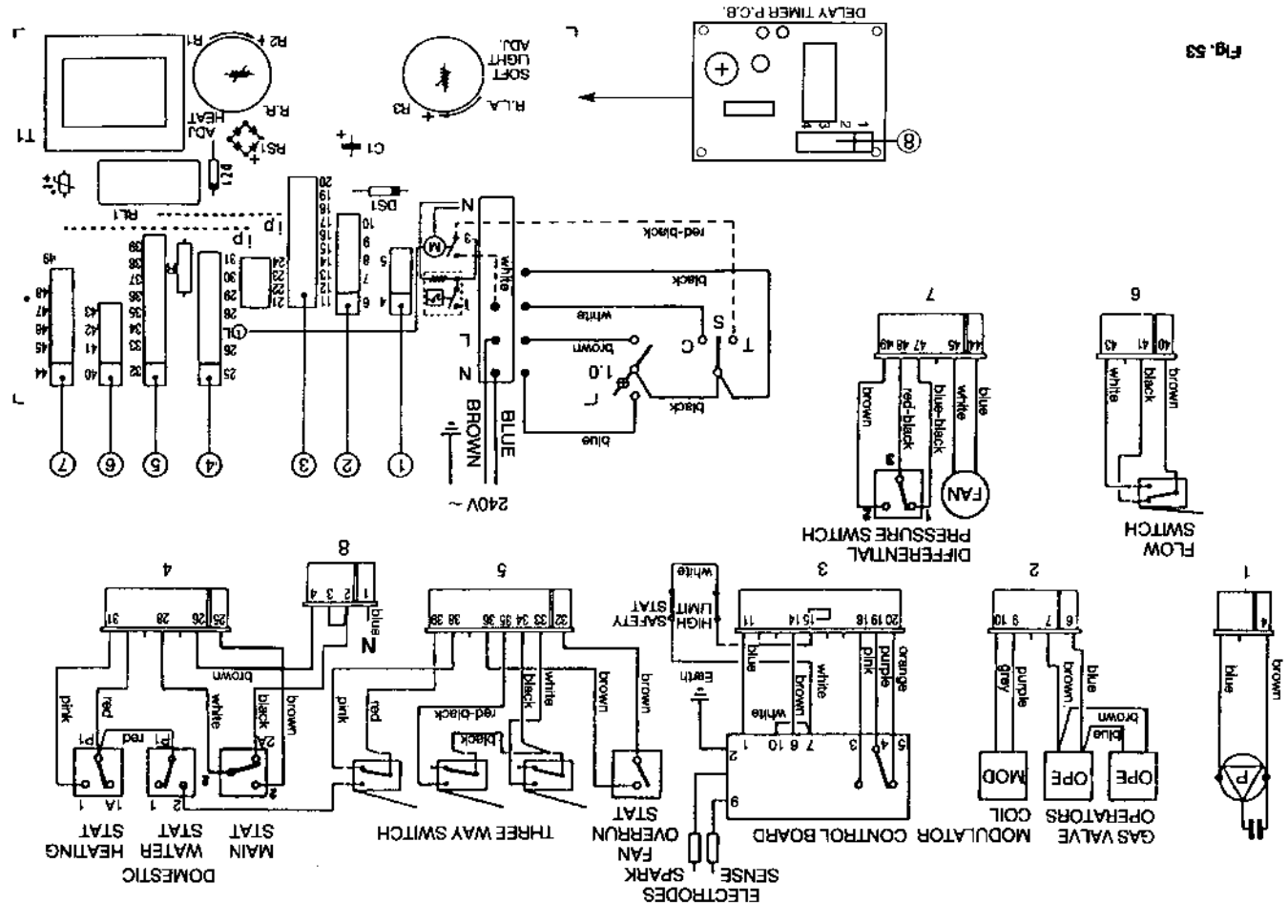


Fig. 51p Front Panel



24/96 Flowmatic (a)



24/96 Flowmatic (a)

ILLUSTRATED WIRING DIAGRAM

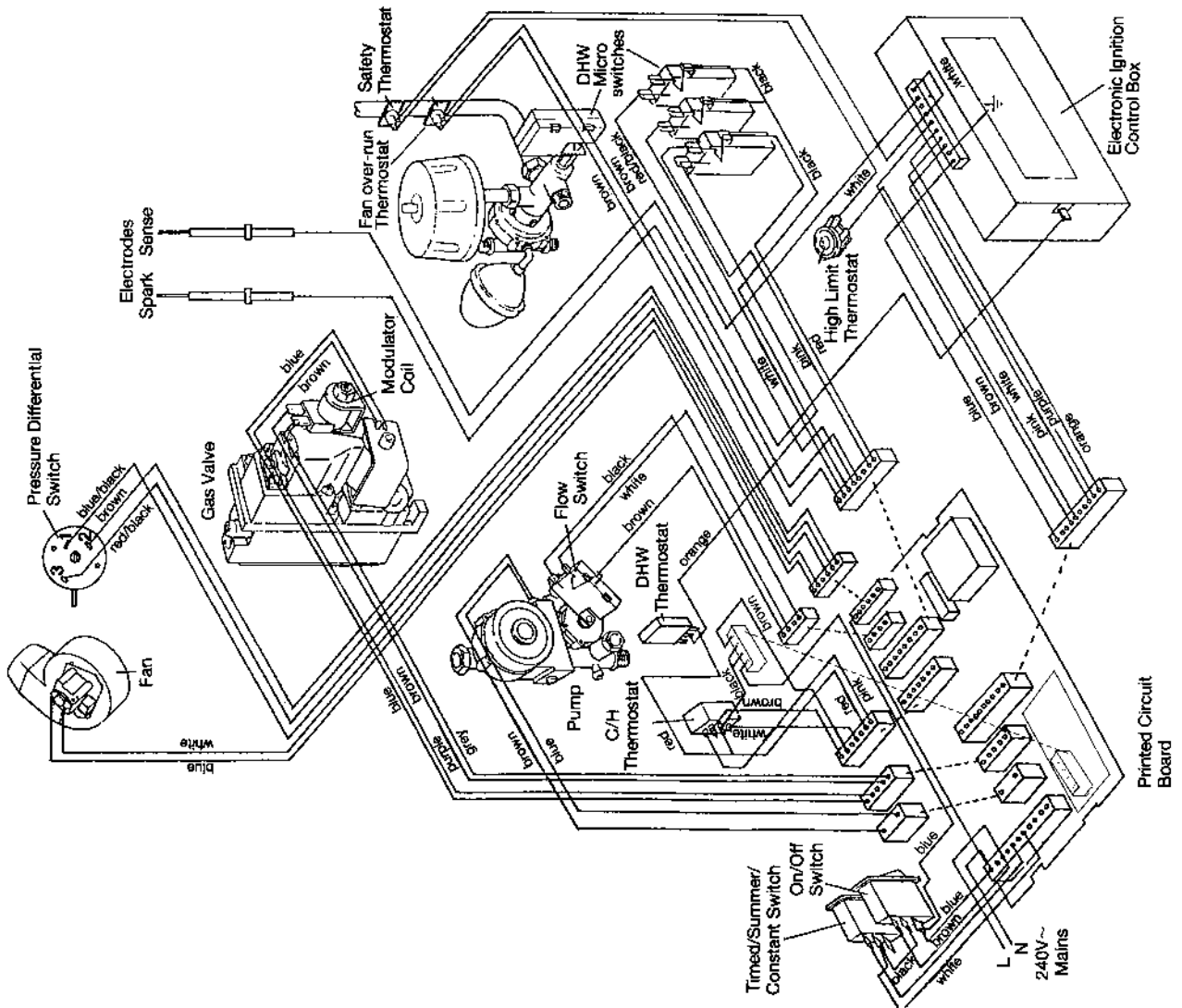


Fig. 54



GR Claudio (Vokèra) Limited
Head Office and Accounts: Unit 16, Duck Lane, Enfield, Middlesex EN3 7SP Tel: 081-804 7202 15 lines Fax: 081-804 8163 Telex: 23309 Vokèra G
Northern Region: 360 Bowling Back Lane, Bradford, West Yorkshire BD4 8TS Tel: Bradford (0274) 860314 13 lines Fax: 0274 860446
Scottish Region: Shuna Street Mary Hill, Glasgow G20 5NW Tel: 041-945 4844 Fax: 041-945 536