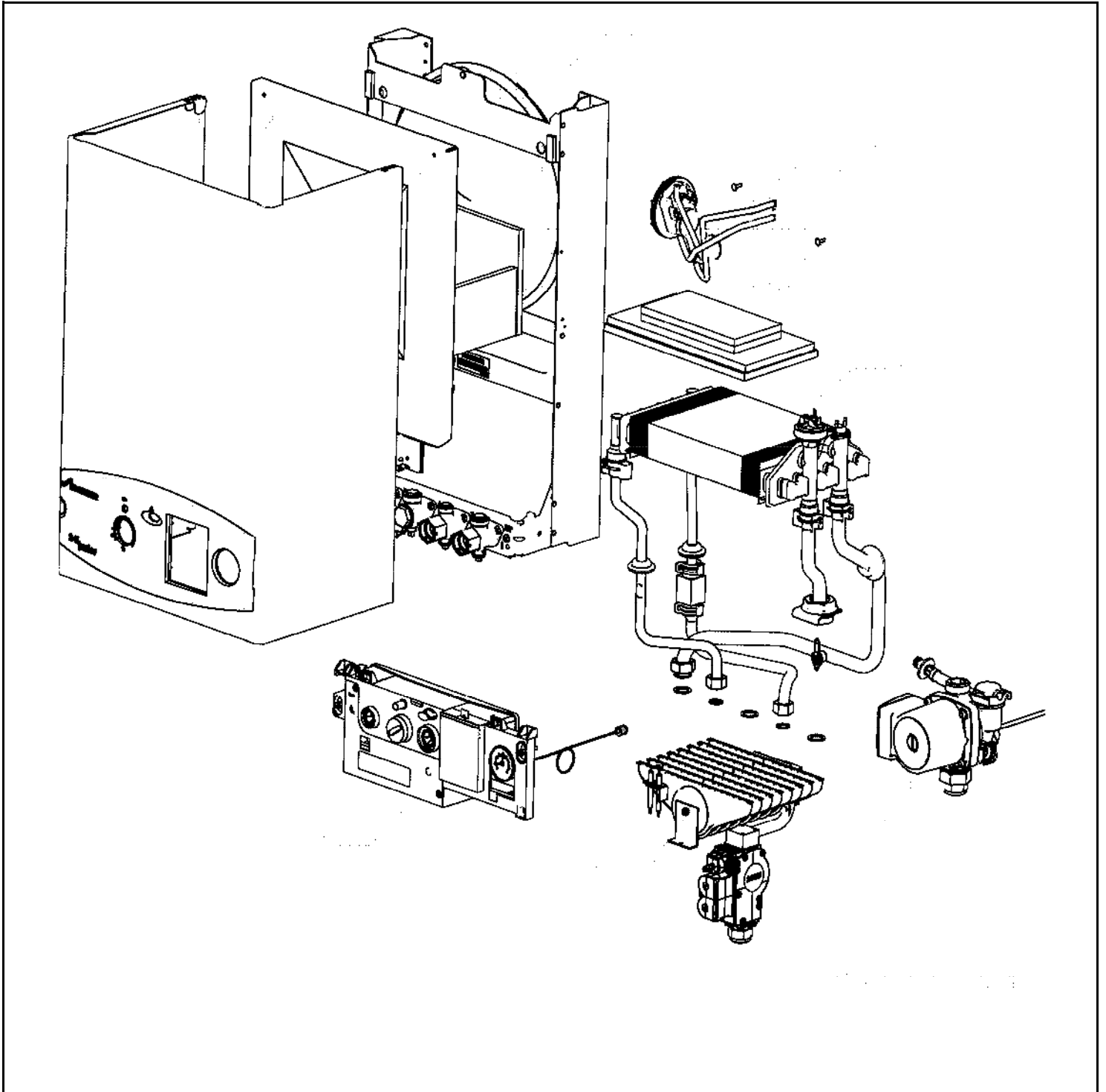
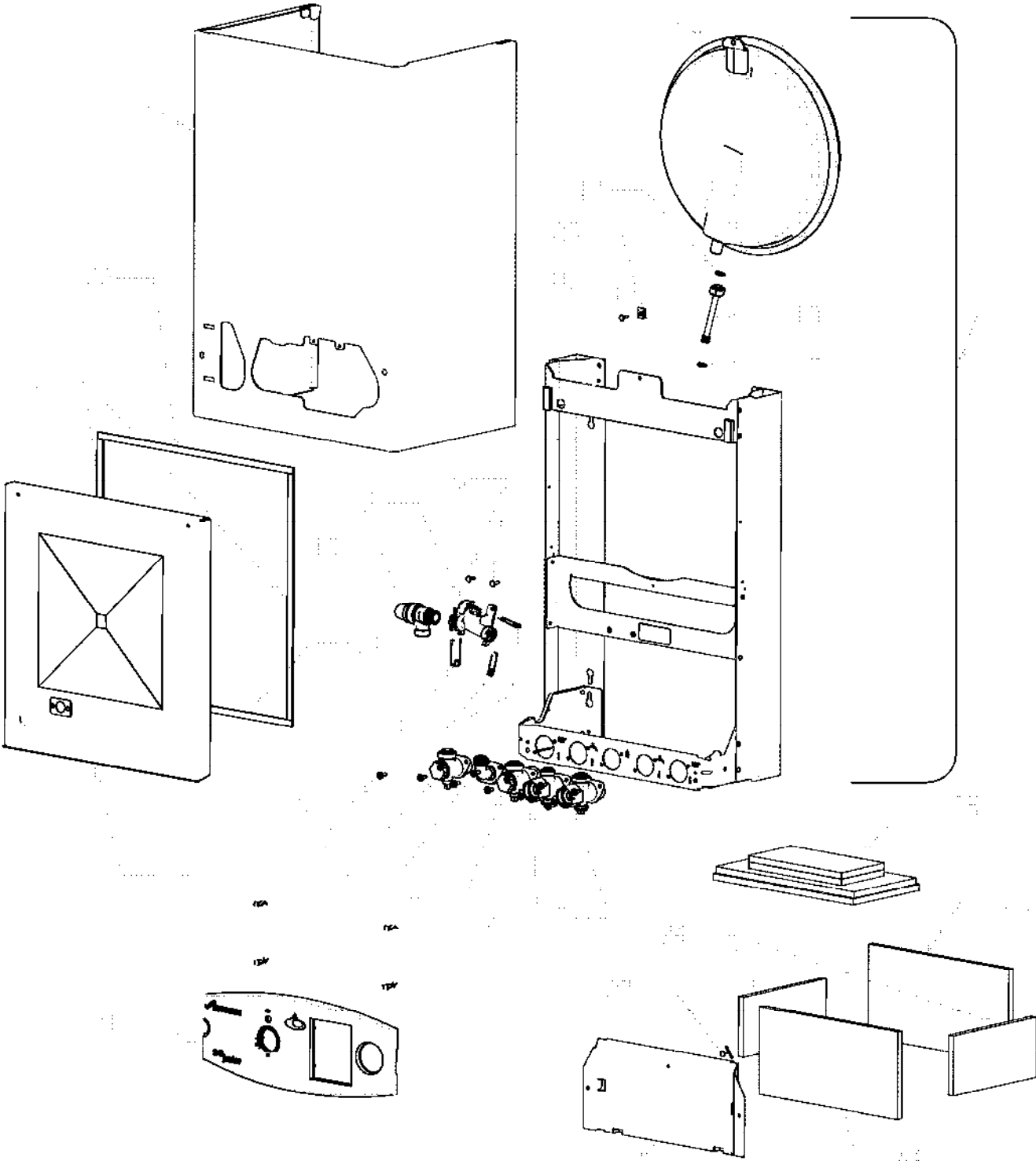


28I JUNIOR RSF



Spare parts list



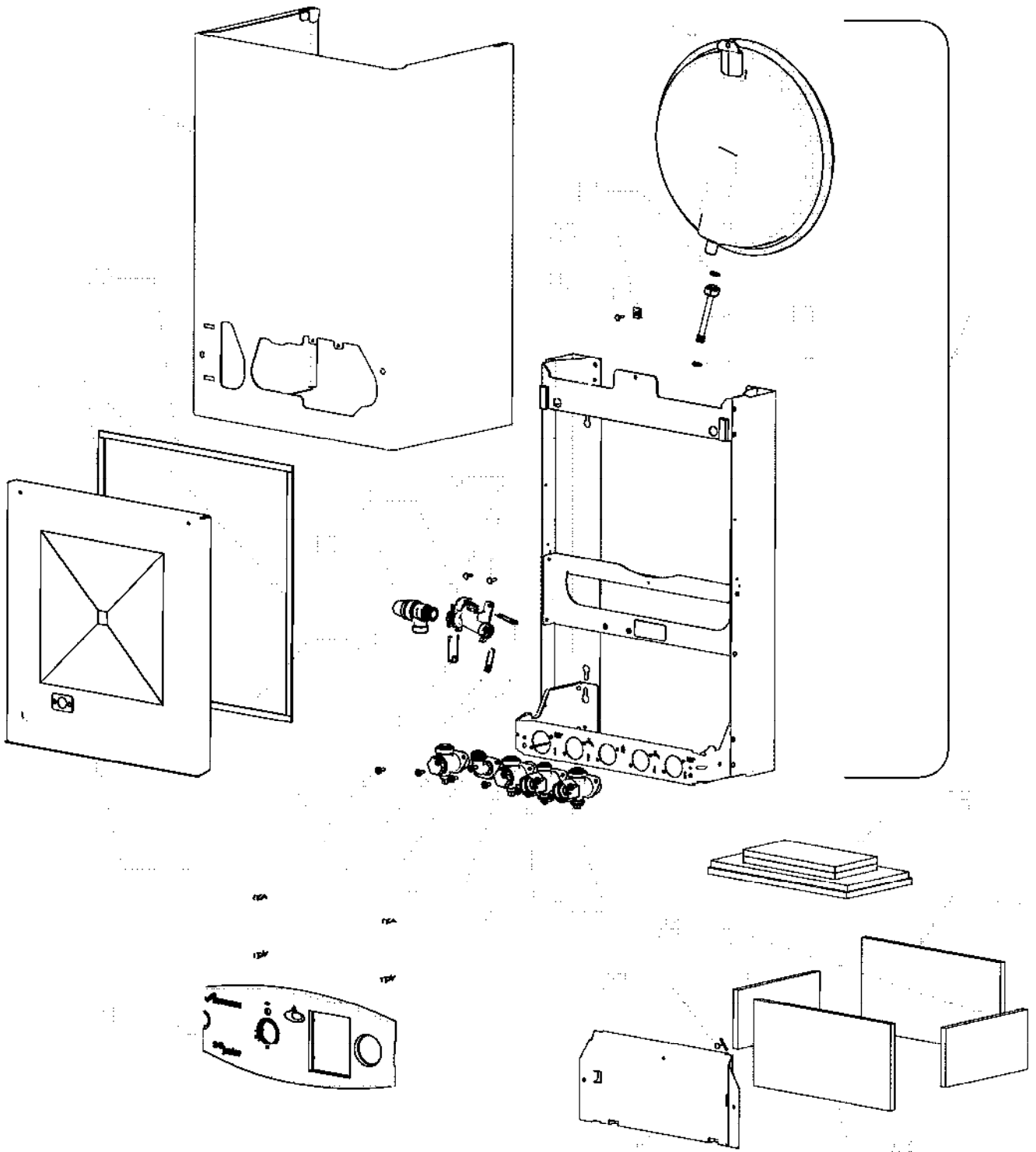
Casing
D

28i Junior 28i Junior LPG

1

Pos	description	S-Nr	ordering no.	PG	gas type	28i Junior	28i Junior LPG												remarks
1	Mantle assembly		8 716 105 672 0		23	■													
1	Mantle assembly		8 716 105 672 0		LPG		■												
2	Wall frame assembly		8 716 105 667 0		23	■													
2	Wall frame assembly		8 716 105 667 0		LPG		■												
3	Valve - C.H. (uk)		8 716 156 755 0	26	23	■													
3	Valve - C.H. (uk)		8 716 156 755 0	26	LPG		■												
4	Connector dhw-out (uk)		8 716 156 384 0	20	23	■													
4	Connector dhw-out (uk)		8 716 156 384 0	20	LPG		■												
5	Gas cock (uk)		8 716 156 753 0		23	■													
5	Gas cock (uk)		8 716 156 753 0		LPG		■												
6	Valve - dcw in (uk)		8 716 103 424 0	31	23	■													
6	Valve - dcw in (uk)		8 716 103 424 0	31	LPG		■												
7	Valve - ch (uk)		8 716 103 423 0	31	23	■													
7	Valve - ch (uk)		8 716 103 423 0	31	LPG		■												
8	Screw M5x12mm taptite zc pl p/h		2 914 411 403 0	12	23	■													
8	Screw M5x12mm taptite zc pl p/h		2 914 411 403 0	12	LPG		■												
9	Expansion vessel		8 716 105 545 0	39	23	■													
9	Expansion vessel		8 716 105 545 0	39	LPG		■												
10	Pressure relief valve 312438		8 716 142 404 0	23	23	■													
10	Pressure relief valve 312438		8 716 142 404 0	23	LPG		■												
11	Wire form spring (x10)		8 716 771 169 0	12	23	■													
11	Wire form spring (x10)		8 716 771 169 0	12	LPG		■												
12	Manifold/flexible hose kit		8 716 108 132 0		23	■													
12	Manifold/flexible hose kit		8 716 108 132 0		LPG		■												
13	Pipe expansion vessel		8 716 105 638 0		23	■													
13	Pipe expansion vessel		8 716 105 638 0		LPG		■												
14	Clamping spring		8 716 771 167 0	12	23	■													
14	Clamping spring		8 716 771 167 0	12	LPG		■												
15	O ring 7.59 X 2.62 EP70		8 716 105 792 0		23	■													
15	O ring 7.59 X 2.62 EP70		8 716 105 792 0		LPG		■												
16	Screw no.8x1/2 f/h type b self tap.		2 912 421 225 0	16	23	■													
16	Screw no.8x1/2 f/h type b self tap.		2 912 421 225 0	16	LPG		■												
17	Washer fibre 15.0 x 10.0 x 1.0		8 716 140 921 0	12	23	■													
17	Washer fibre 15.0 x 10.0 x 1.0		8 716 140 921 0	12	LPG		■												
18	Front cover assembly		8 716 105 670 0		23	■													
18	Front cover assembly		8 716 105 670 0		LPG		■												
19	Silicone sponge		8 716 105 766 0		23	■													
19	Silicone sponge		8 716 105 766 0		LPG		■												
20	Silicone sponge		8 716 105 768 0		23	■													
20	Silicone sponge		8 716 105 768 0		LPG		■												
21	Combustion cover		8 716 105 437 0		23	■													
21	Combustion cover		8 716 105 437 0		LPG		■												
22	Insulation Front		8 716 105 536 0		23	■													
22	Insulation Front		8 716 105 536 0		LPG		■												
23	Insulation rear		8 716 105 537 0		23	■													
23	Insulation rear		8 716 105 537 0		LPG		■												
24	Insulation side		8 716 105 540 0		23	■													
24	Insulation side		8 716 105 540 0		LPG		■												
25	Insulation set		8 716 105 937 0		23	■													
25	Insulation set		8 716 105 937 0		LPG		■												
26	Nut Captive No:8		8 716 148 204 0	16	23	■													
26	Nut Captive No:8		8 716 148 204 0	16	LPG		■												
28i Junior 28i Junior LPG			Casing D															1	

Spare parts list

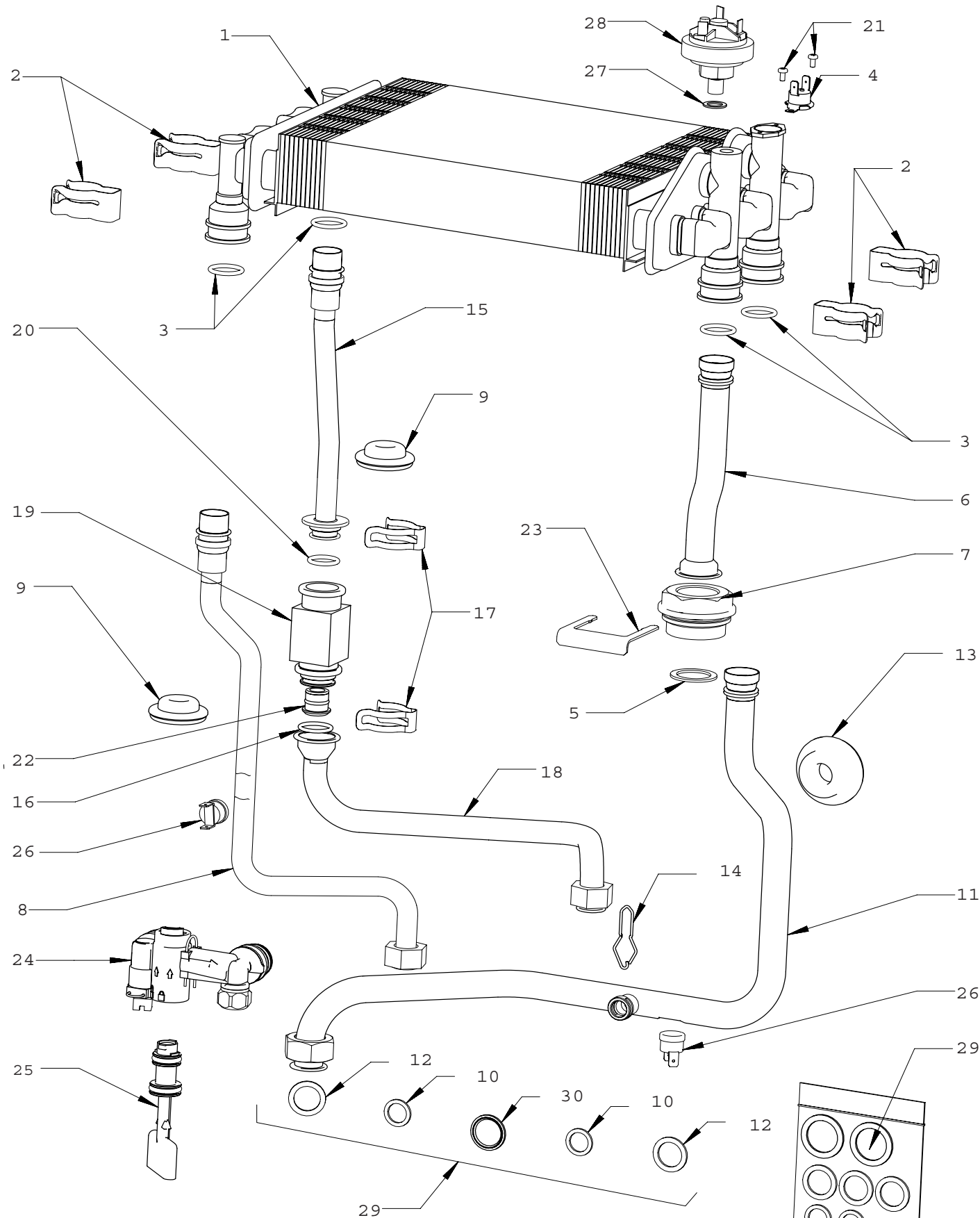


Casing
D

1

28i Junior 28i Junior LPG

Spare parts list



Heat exchanger/ Pipes
D

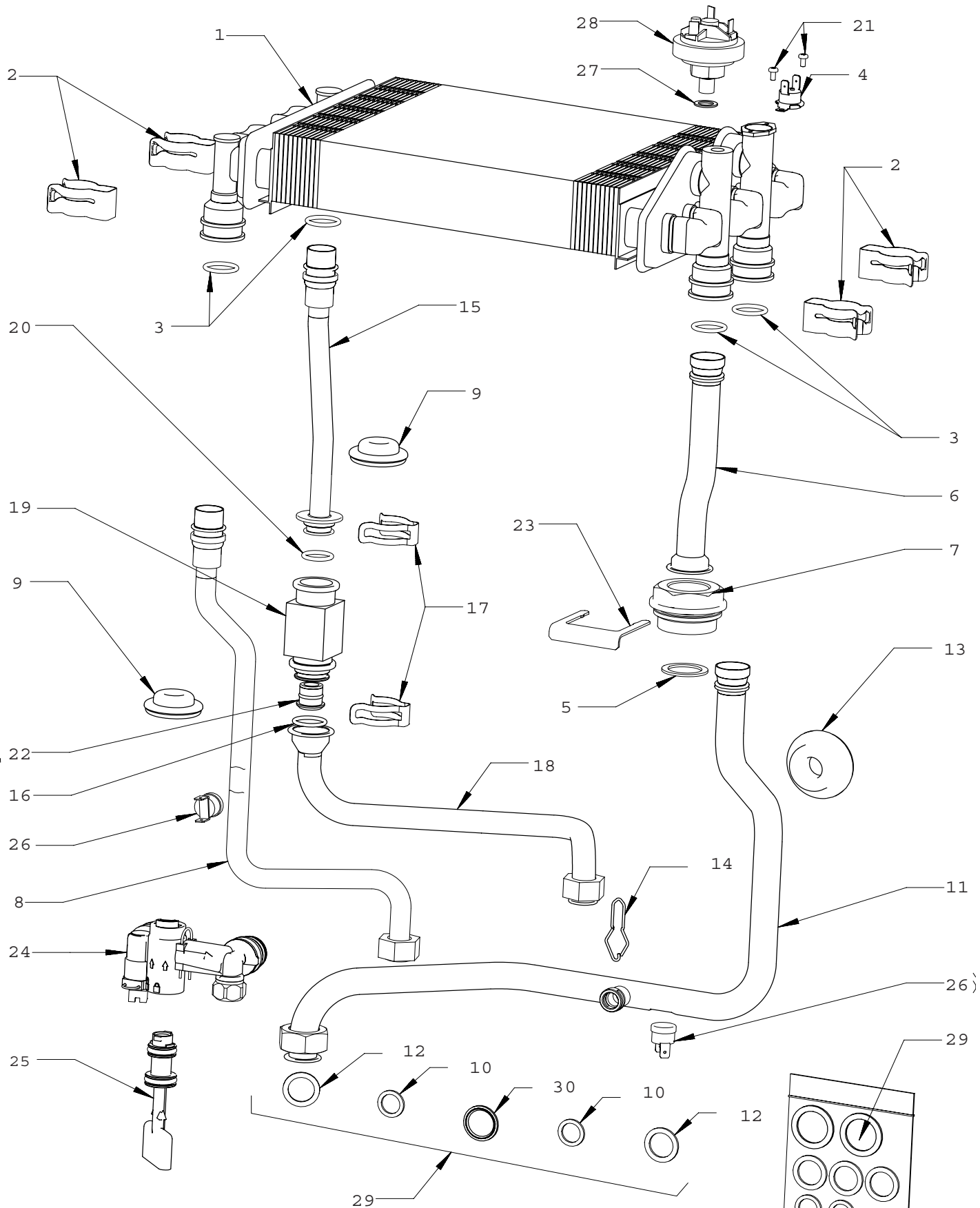
28i Junior 28i Junior LPG

6720900189.AF

2

Pos	description	S-Nr	ordering no.	PG	gas type	28i Junior	28i Junior LPG											remarks
1	Heatexchanger gas to water bi-thermal		8 716 105 483 0		23	■												
1	Heatexchanger gas to water bi-thermal		8 716 105 483 0		LPG		■											
2	Clip heatexchanger		8 716 105 649 0		23	■												
2	Clip heatexchanger		8 716 105 649 0		LPG		■											
3	O-ring 2.62 X 17.86		8 716 140 806 0	15	23	■												
3	O-ring 2.62 X 17.86		8 716 140 806 0	15	LPG		■											
4	Overheat thermostat		8 716 142 303 0	39	23	■												
4	Overheat thermostat		8 716 142 303 0	39	LPG		■											
5	Top Hat Washer		8 716 112 317 0		23	■												
5	Top Hat Washer		8 716 112 317 0		LPG		■											
6	Pipe primary return		8 716 105 569 0		23	■												
6	Pipe primary return		8 716 105 569 0		LPG		■											
7	Pump outlet connector		8 716 105 655 0		23	■												
7	Pump outlet connector		8 716 105 655 0		LPG		■											
8	Pipe-domestic hot water assembly		8 716 105 481 0		23	■												
8	Pipe-domestic hot water assembly		8 716 105 481 0		LPG		■											
9	Seal-15mm tube		8 716 140 712 0	17	23	■												
9	Seal-15mm tube		8 716 140 712 0	17	LPG		■											
10	Washer 18.6 X 13.5 X 1.5 (10x)		8 710 103 045 0	11	23	■												
10	Washer 18.6 X 13.5 X 1.5 (10x)		8 710 103 045 0	11	LPG		■											
10	Washer 18.6 x 13.5 x 1.5 (1x)		8 716 115 680 0		23	■												
10	Washer 18.6 x 13.5 x 1.5 (1x)		8 716 115 680 0		LPG		■											
11	Pipe primary flow assembly		8 716 105 568 0		23	■												
11	Pipe primary flow assembly		8 716 105 568 0		LPG		■											
12	Fibre washer 23.9 X 17.2 X 1.5 (10x)		8 710 103 043 0	12	23	■												
12	Fibre washer 23.9 X 17.2 X 1.5 (10x)		8 710 103 043 0	12	LPG		■											
12	Washer 23.9 x 17.2 x 1.5 (X1)		8 716 115 674 0		LPG		■											
13	Seal 18mm		8 716 106 109 0		23	■												
13	Inner casing grommet		8 716 140 719 0		LPG		■											
14	Clip self retaining		8 716 105 773 0		23	■												
14	Clip self retaining		8 716 105 773 0		LPG		■											
15	Pipe turbine heat exchanger assembly		8 716 105 478 0		23	■												
15	Pipe turbine heat exchanger assembly		8 716 105 478 0		LPG		■											
16	O-Ring 17.6 ID X 2.4 EP		8 716 140 820 0	02	23	■												
16	O-Ring 17.6 ID X 2.4 EP		8 716 140 820 0	02	LPG		■											
17	Clamp spring (10x)		8 716 102 607 0	22	23	■												
17	Clamp spring (10x)		8 716 102 607 0	22	LPG		■											
18	Pipe-domestic cold water assembly		8 716 105 480 0		23	■												
18	Pipe-domestic cold water assembly		8 716 105 480 0		LPG		■											
19	Flow sensor		8 716 146 164 0	36	23	■												
19	Flow sensor		8 716 146 164 0	36	LPG		■											
20	O-ring 2.62 X 15.54 id ep		8 716 140 805 0	15	23	■												
20	O-ring 2.62 X 15.54 id ep		8 716 140 805 0	15	LPG		■											
21	Screw m3x6mm zc pl p/h tapitite		2 914 411 411 0	18	23	■												
21	Screw m3x6mm zc pl p/h tapitite		2 914 411 411 0	18	LPG		■											
22	Flow regulator - c/w filter		8 716 141 253 0	25	23	■												
22	Flow regulator - c/w filter		8 716 141 253 0	25	LPG		■											
23	Pump outlet connector clip		8 716 105 658 0		23	■												
23	Pump outlet connector clip		8 716 105 658 0		LPG		■											
24	Charging link assembly		8 716 104 592 0		23	■												
24	Charging link assembly		8 716 104 592 0		LPG		■											
25	Charging key assembly		8 716 104 591 0		23	■												
28i Junior 28i Junior LPG			Heat exchanger/ Pipes D															2

Spare parts list



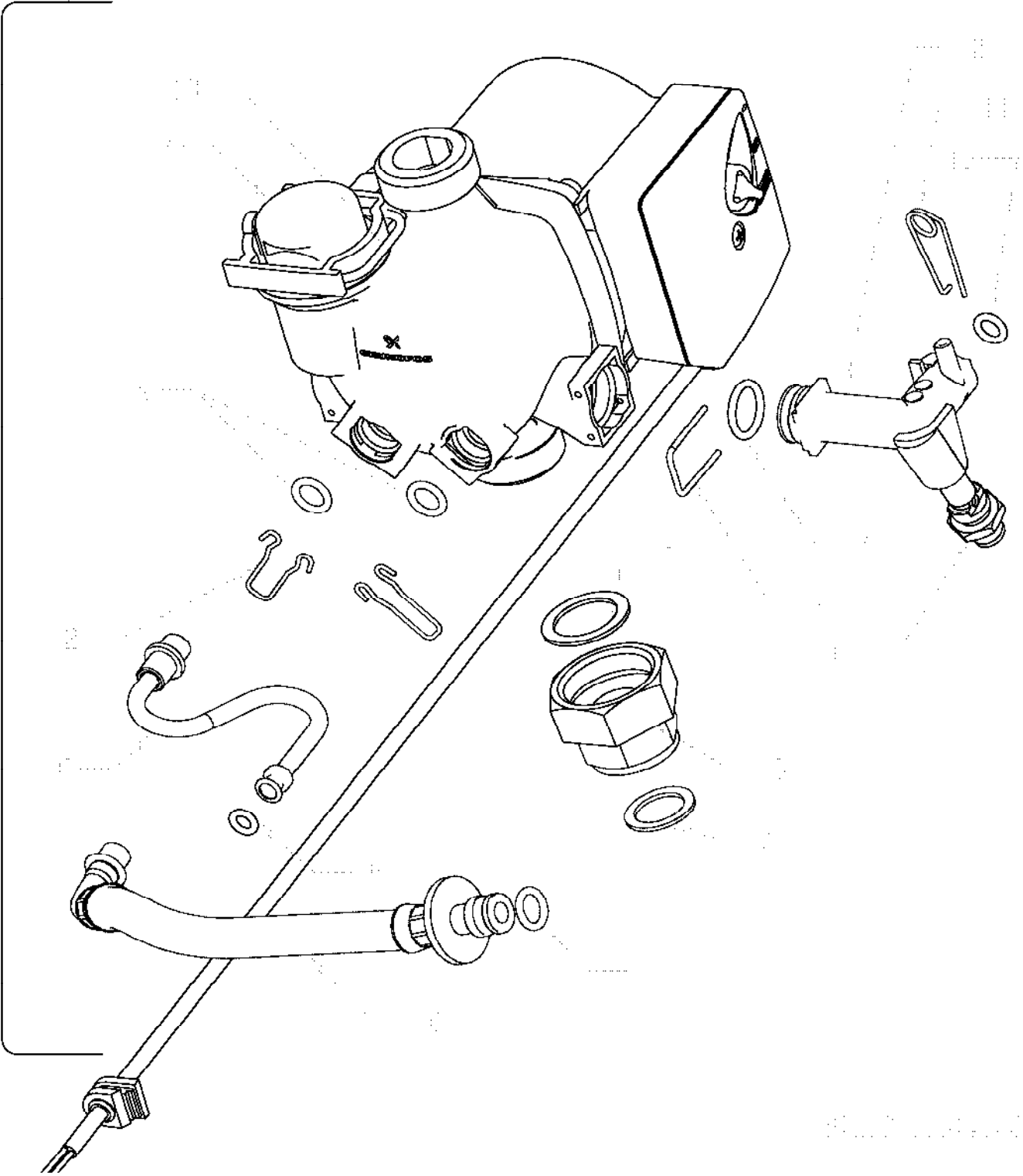
Heat exchanger/ Pipes
D

28i Junior 28i Junior LPG

6720900189.AF

2

Spare parts list

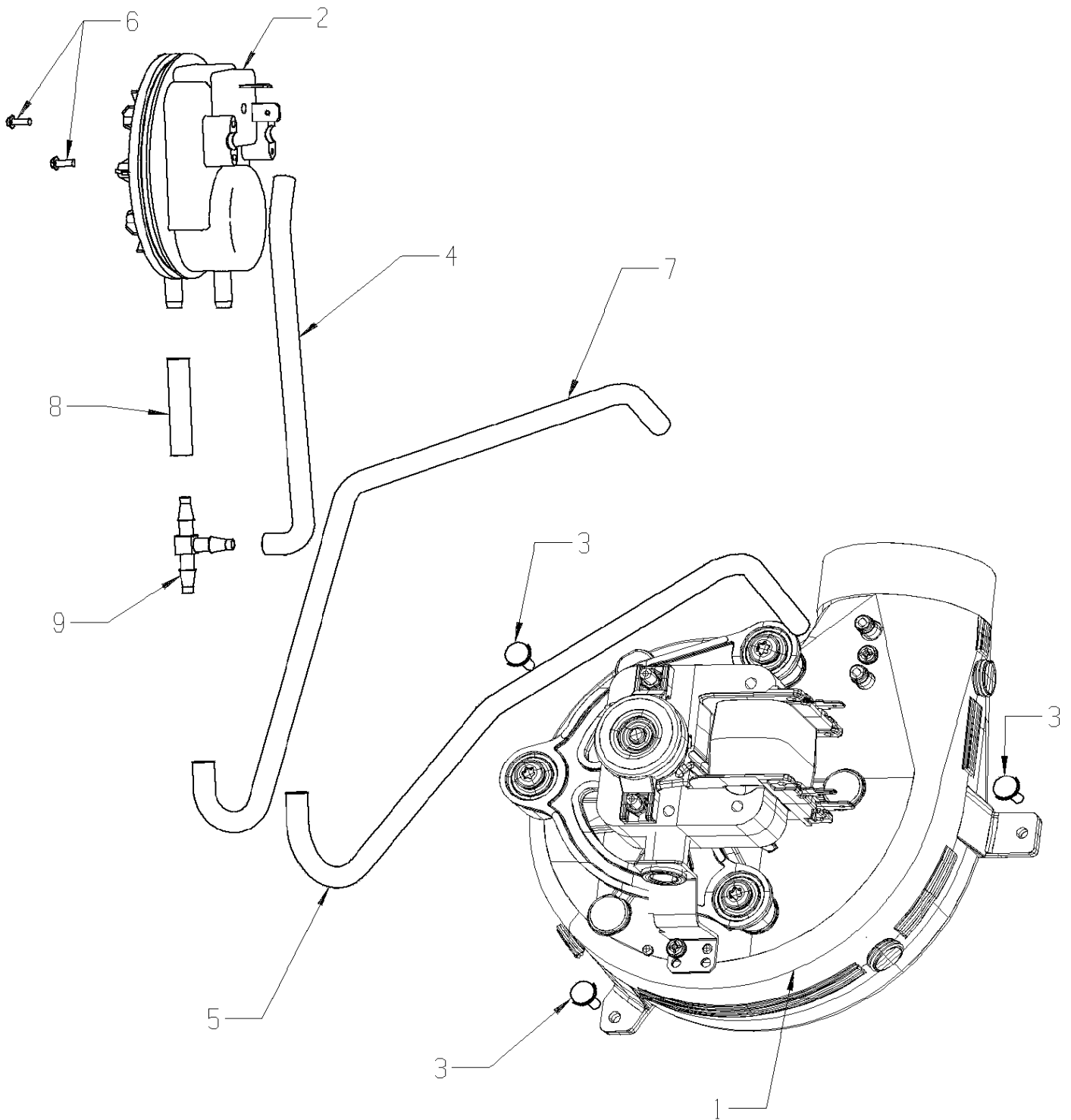


Pump
D

28i Junior 28i Junior LPG

4

Spare parts list



6720900192.AA

Fan
D

5

28i Junior 28i Junior LPG

**ADDITIONAL SPARE PARTS
FOR APPLIANCE
NOT DRAWN**

9099

6720900999.AA

Additional Spare Part
D

9

28i Junior 28i Junior LPG

List of translations

Pos			
1			
2			
3			
4			
5			
6			
7			
8			
9			
10			
11			
12			
13			
14			
15			
16			
17			
18			
19			
20			
21			
22			
23			
24			
25			
26			
27			
28			
2			
1			
2			
3			
4			
5			
6			
7			
8			
9			
10			
11			
12			
13			
14			
15			
16			
17			
18			
19			
20			
21			
22			
23			
24			
25			
26			
Pos			

List of translations

27				
28				
29				
3				
1				
2				
3				
4				
5				
6				
7				
8				
9				
10				
11				
12				
13				
14				
4				
1				
2				
3				
4				
5				
6				
7				
8				
9				
10				
12				
13				
14				
15				
16				
17				
18				
5				
1				
2				
3				
4				
5				
6				
7				
8				
9				
6				
1				
2				
3				
4				
5				
6				
7				
8				
9				
Pos				

