

GREENSTAR 30CDi System

WALL HUNG RSF GAS-FIRED CONDENSING BOILER

FOR SEALED CENTRAL HEATING SYSTEMS
AND INDIRECT FED DOMESTIC HOT WATER



THE APPLIANCE IS FOR USE WITH
NATURAL GAS OR L.P.G. (Cat II 2H3P TYPE C13 & C33)

NATURAL GAS: 30CDi System GC-Number 41-311-93

LIQUID PETROLEUM GAS: 30CDi System GC-Number 41-311-97

GB/IE

INSTRUCTION MANUAL
INSTALLATION, COMMISSIONING
& SERVICING

 **WORCESTER**
Bosch Group



CONTACT INFORMATION

WORCESTER BOSCH:

TECHNICAL: 08705 266241
SERVICE: 08457 256206
SPARES: 01905 752571
LITERATURE: 01905 752556
TRAINING: 01905 752526
SALES: 01905 752640
WEBSITE: www.worcester-bosch.co.uk

WATER TREATMENT:

FERNOX 01799 550811
www.fernox.com

SENTINEL 0151 420 9595
www.betzdearborn.com/sentinel

FLUE TERMINAL GUARD:

TOWER FLUE COMPONENTS
VALE RISE
TONBRIDGE
TN9 1TB

STORE THE APPLIANCE IN A DRY AREA
PRIOR TO INSTALLATION.

LIFTING AND CARRYING PRECAUTIONS:

- Lift only a manageable weight, or ask for help.
- When lifting the boiler, bend the knees, and keep the back straight and feet apart.
- Do not lift and twist at the same time.
- Lift and carry the boiler close to the body
- Wear protective clothing and gloves to protect from any sharp edges

INSTALLATION & SERVICING INSTRUCTIONS

PLEASE READ THESE INSTRUCTIONS CAREFULLY BEFORE STARTING INSTALLATION.

THESE INSTRUCTIONS ARE APPLICABLE TO THE WORCESTER BOSCH APPLIANCE MODEL(S) STATED ON THE FRONT COVER OF THIS MANUAL ONLY AND MUST NOT BE USED WITH ANY OTHER MAKE OR MODEL OF APPLIANCE.

THE INSTRUCTIONS APPLY IN THE UK ONLY AND MUST BE FOLLOWED EXCEPT FOR ANY STATUTORY OBLIGATION.

THIS APPLIANCE MUST BE INSTALLED BY A COMPETENT PERSON. FAILURE TO INSTALL CORRECTLY COULD LEAD TO PROSECUTION.

IF YOU ARE IN **ANY DOUBT** CONTACT WORCESTER BOSCH TECHNICAL HELPLINE.

DISTANCE LEARNING AND TRAINING COURSES ARE AVAILABLE FROM WORCESTER BOSCH.

PLEASE LEAVE THESE INSTRUCTIONS, THE USER GUIDE AND THE COMPLETED BENCHMARK LOG BOOK OR A CERTIFICATE CONFIRMING COMPLIANCE WITH IS 813 (EIRE ONLY) WITH THE USER OR AT THE GAS METER AFTER INSTALLATION OR SERVICING.

ABBREVIATIONS USED IN THIS MANUAL:

∅ Diameter
NG Natural Gas
LPG Liquid Petroleum Gas
CH Central Heating
DHW Domestic Hot Water
IP Ingress Protection
SEDBUK Seasonal Efficiency of Domestic Boilers in the United Kingdom

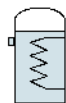
SYMBOLS USED IN THIS MANUAL:



Domestic hot water



Central heating



Hot water storage cylinder



Cold water main supply



Electricity supply



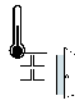
Gas supply



Time clock CH only



Programmer/timer



Room thermostat



Wait time period

CONTENTS

SAFETY & REGULATIONS

SAFETY PRECAUTIONS	4
INSTALLATION REGULATIONS	4

APPLIANCE INFORMATION

GENERAL INFORMATION	5
TECHNICAL DATA	6
LAYOUT & COMPONENTS	7-8

PRE-INSTALLATION

CLEANING PRIMARY SYSTEMS	9
MAINS SUPPLIES	10
WATER SYSTEMS & PIPEWORK	11
CONDENSATE PIPEWORK	12
BOILER LOCATION & CLEARANCES	13-14
PLUMBING MANIFOLD	15
FLUE TERMINAL POSITIONS	16
FLUE OPTIONS	17

INSTALLATION

UNPACKING WALL FRAME AND ANCILLARY ITEMS	18
WALL MOUNTING PLATE / FLUE OPENING	19
UNPACKING THE APPLIANCE	20
FITTING THE APPLIANCE / BOILER CONNECTIONS	21
FLUE INSTALLATION	22-24
CONDENSATE CONNECTION	25
ELECTRICAL	26-27
POSITION OF WIRED COMPONENTS	28

COMMISSIONING

PRE-COMMISSIONING CHECKS	29
FILLING THE SYSTEM	30
STARTING THE APPLIANCE	31
WATER TREATMENT	32
COMMISSIONING	33
FINISHING COMMISSIONING	34

SERVICING & SPARES

INSPECTION AND SERVICE	35-39
REPLACEMENT OF PARTS	40-48
SETTING THE GAS/AIR RATIO	49
SHORT PARTS LIST	50

CONVERSION KITS

L.P.G. CONVERSION	51
-------------------	----

FAULT FINDING & DIAGNOSIS

FAULT FINDING	52
CENTRAL HEATING FUNCTION	53
CYLINDER HEAT FUNCTION	54
PROTECTION FUNCTION	55

SAFETY &
REGULATIONS

APPLIANCE
INFORMATION

PRE-
INSTALLATION

INSTALLATION

COMMISSIONING

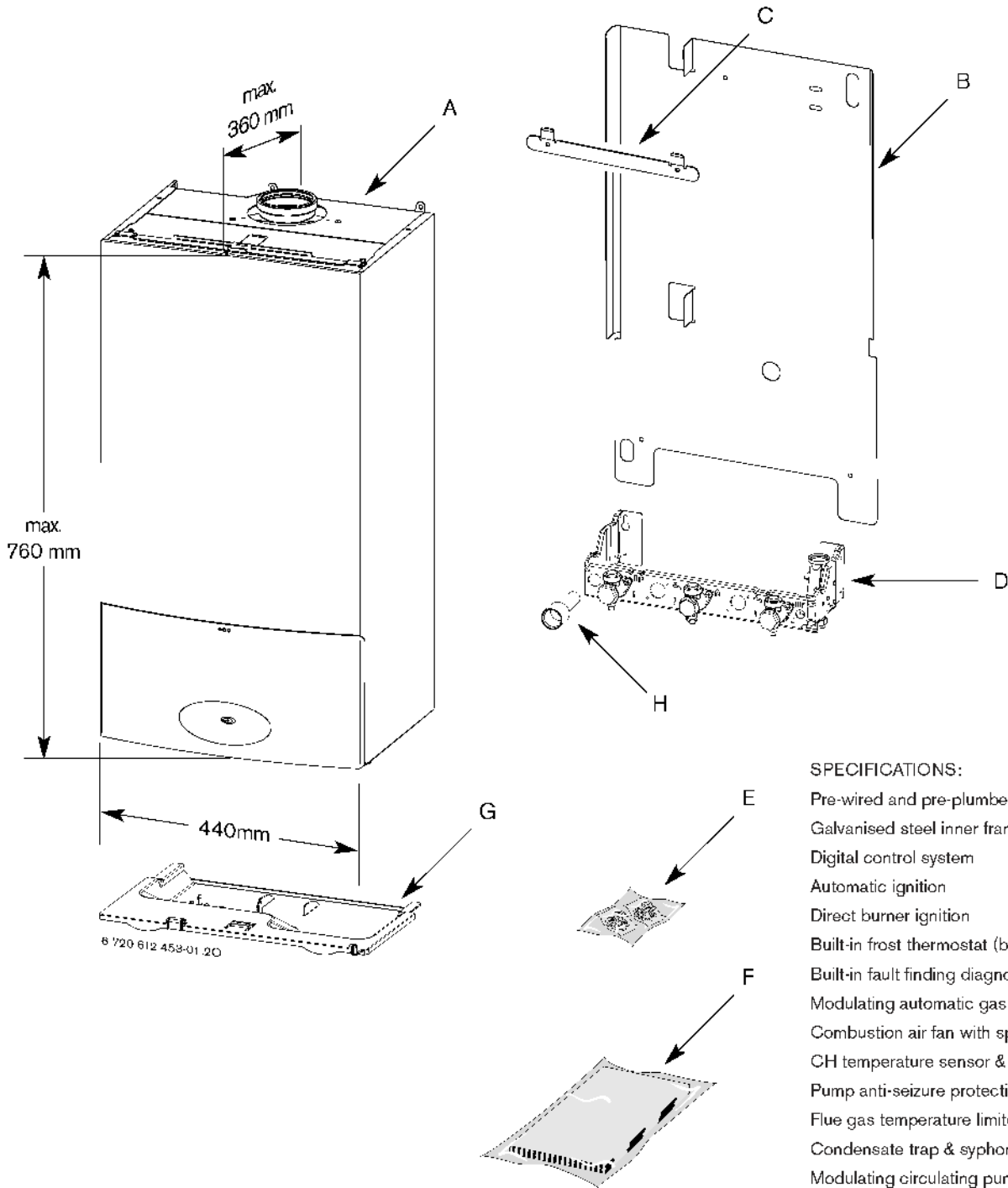
SERVICING
& SPARES

CONVERSION
KITS

FAULT FINDING
& DIAGRAMS

STANDARD PACKAGE:

- A - Wall hung gas fired condensing system boiler for central heating and domestic hot water
- B - Wall mounting plate
- C - Hanging bracket
- D - Pre-plumbing manifold
- E - Hardware pack
- F - Literature pack
- G - Bottom panel
- H - Trap / Syphon Outlet Connection (22 mm Plastic Pipe)



SPECIFICATIONS:

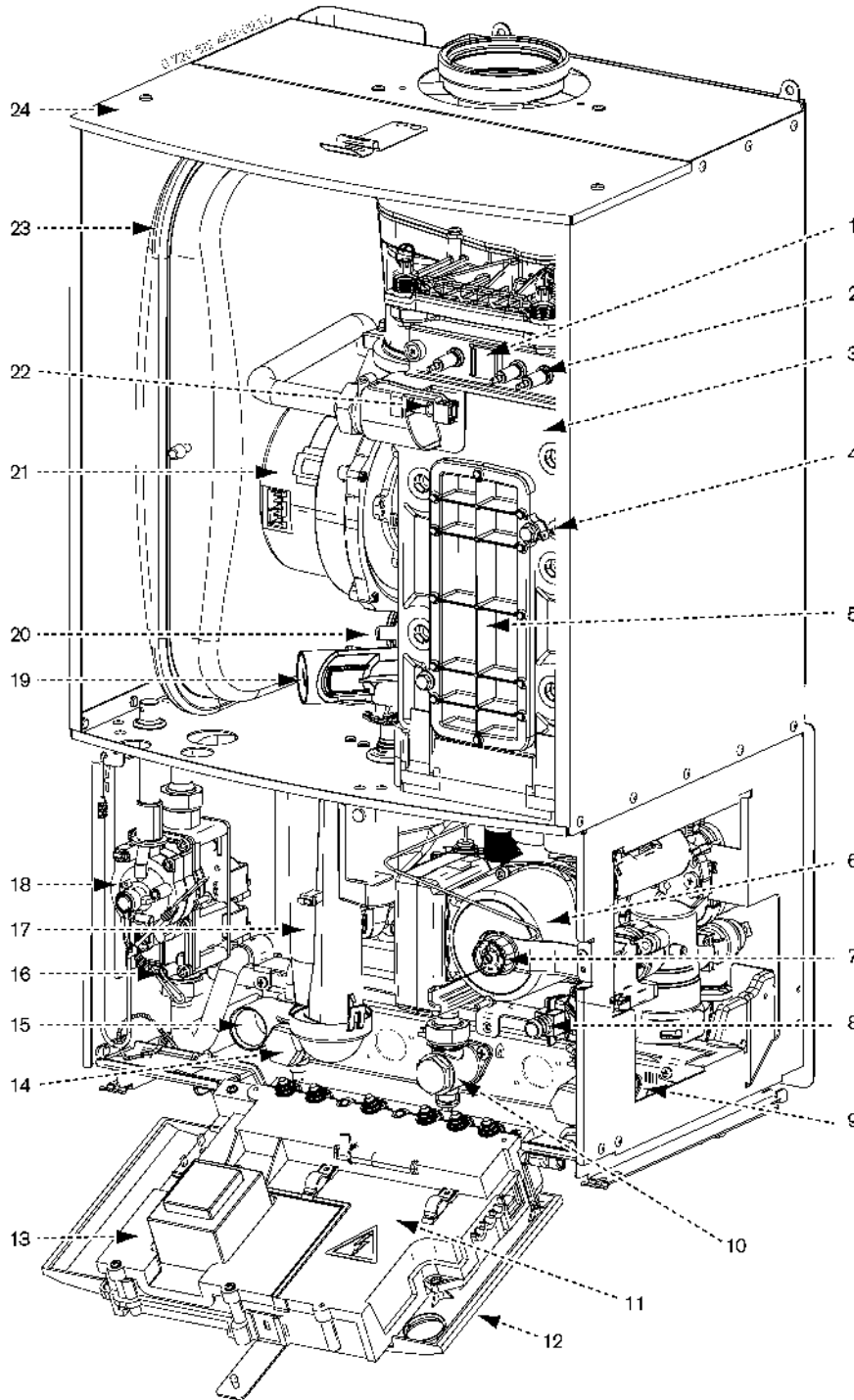
- Pre-wired and pre-plumbed
- Galvanised steel inner frame
- Digital control system
- Automatic ignition
- Direct burner ignition
- Built-in frost thermostat (boiler protection)
- Built-in fault finding diagnostics
- Modulating automatic gas valve
- Combustion air fan with speed regulator
- CH temperature sensor & control
- Pump anti-seizure protection
- Flue gas temperature limiter
- Condensate trap & syphon
- Modulating circulating pump

TECHNICAL DATA

DESCRIPTION	UNITS	NATURAL GAS	L.P.G.
		30CDi System	30CDi System
Domestic hot water			
Min. heat input	kW	8.0	11.5
Max. rated heat output	kW	30.9	30.9
Max. rated heat input	kW	30.9	30.9
Domestic Hot Water temperature range	°C	40-70	40-70
Central Heating			
Max. rated heat input	kW	30.9	30.9
Max. rated heat output net 40/30°C	kW	32.1	32.1
Max. rated heat output net 50/30°C	kW	31.8	31.8
Max. rated heat output net 80/60°C	kW	30.0	30.0
Min. rated heat output net 40/30°C	kW	8.6	12.4
Min. rated heat output net 50/30°C	kW	8.6	12.3
Min. rated heat output net 80/60°C	kW	7.7	11.0
Min. rated heat input net	kW	8.0	11.5
Max. flow temperature	°C	nom. 90	nom. 90
Max. permissible operating pressure	bar	3.0	3.0
Available pump head at 21°C system temperature rise	m	2	2
Gas flow rate - Max. 10 minutes from lighting			
Natural Gas G20	m ³ /h	3.2	-
Propane Gas (LPG)	kg/h	-	2.4
Flue			
Flue Gas Temp. 80/60°C, rated min. load	°C	76/58	76/58
Flue Gas Temp. 40/30°C, rated min. load	°C	55/33	55/33
CO ₂ level at max. rated heat output	%	9.6	11.5
CO ₂ level at min. rated heat output	%	9.0	10.5
NO _x - class		5	5
Condensate			
Max. condensation rate	l/h	2.7	2.7
pH value, approx.		4.8	4.8
Electrical			
Electrical power supply voltage	AC...V	230	230
Frequency	Hz	50	50
Max. power consumption	W	150	150
General Data			
SEDBUK	band	A	A
Appliance protection rating	IP	X4D	X4D
Appliance protection rating with mechanical or RF mech. timer fitted	IP	20	20
Permissible ambient temperatures	°C	0-50	0-50
Nominal capacity of appliance	l	3.75	3.75
Noise output level	dB(A)	43	43
Total boiler weight (lift weight)	kg	46.5	46.5
Packaged boiler weight	kg	54	54
SEDBUK	%	90.1	90.1

LAYOUT & COMPONENTS

The diagram opposite shows the controls in the servicing position and excludes the outer case.



- 1 FLAME VIEWING WINDOW
- 2 IGNITION ELECTRODE AND FLAME SENSE ELECTRODE
- 3 HEAT EXCHANGER
- 4 OVERHEAT THERMOSTAT
- 5 ACCESS POINT FOR CLEANING HEAT EXCHANGER
- 6 PUMP
- 7 SYSTEM PRESSURE GAUGE
- 8 DRAIN POINT
- 9 CH RETURN
- 10 GAS INLET CONNECTION 22 mm COMPRESSION
- 11 COVER FOR EXTERNAL WIRING CONNECTIONS
- 12 CONTROL PANEL IN SERVICE POSITION
- 13 ACCESS COVER FOR TRANSFORMER & PCB
- 14 CH FLOW
- 15 TRAP / SYPHON OUTLET CONNECTION (22 mm PLASTIC PIPE)
- 16 INLET PRESSURE TEST POINT
- 17 TRAP / SYPHON
- 18 GAS VALVE
- 19 AIR / GAS ADJUSTMENT SCREW
- 20 TESTING POINT FOR FAN PRESSURE
- 21 FAN
- 22 PRIMARY SENSOR
- 23 EXPANSION VESSEL
- 24 REMOVABLE TOP CASE PANEL FOR SERVICING

IMPORTANT: All the following Pre-Installation sections must be read and requirements met before starting boiler or flue installation.

CAUTION: ISOLATE THE MAINS SUPPLIES BEFORE STARTING ANY WORK AND OBSERVE ALL RELEVANT SAFETY PRECAUTIONS.

IMPORTANT: Debris from the system can damage the boiler and reduce efficiency. Failure to comply with the guidelines for the use of water treatment with the appliance will invalidate the appliance warranty.

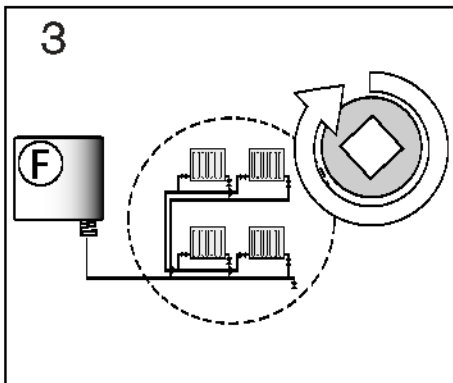
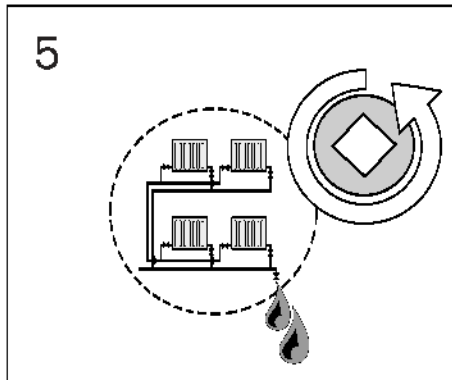
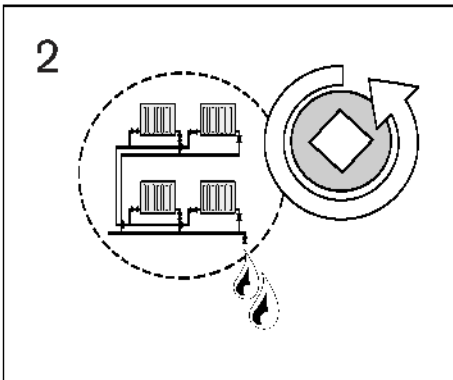
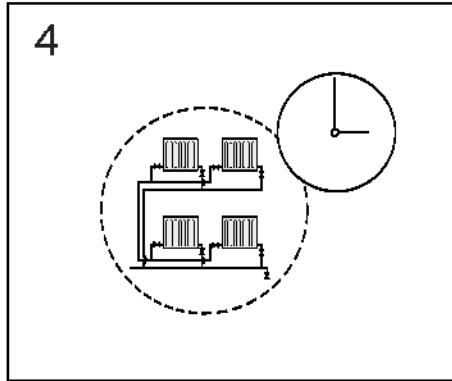
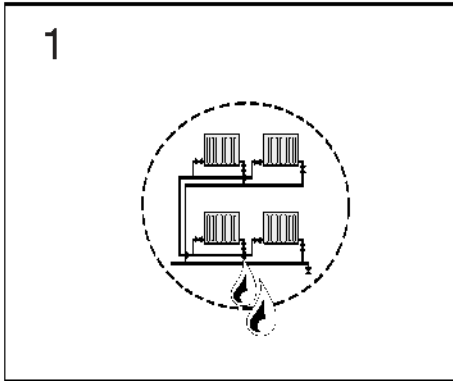
BEFORE CLEANING THE SYSTEM:

ENSURE THE SYSTEM AND PIPEWORK IS IN GOOD WORKING ORDER

KEEP THE EXISTING BOILER/ CIRCULATING PUMP WHERE POSSIBLE OR USE A POWER FLUSHING MACHINE TO AID THE CLEANSING PROCEDURE BEFORE INSTALLING A NEW BOILER.

CLEANING THE PRIMARY SYSTEM:

- 1 Fill the system with cold water and check for leaks.
- 2 Open all drain cocks and drain the system.
- 3 Close drain cocks and add a suitable flushing agent at the correct strength for the system condition in accordance with the manufacturer's instructions.
 - ▶ Circulate the flushing agent before the boiler is fired up.
- 4 Run the boiler/system at normal operating temperature as directed by the manufacturer of the flushing agent.
- 5 Drain and thoroughly flush the system to remove the flushing agent and debris.



KEY



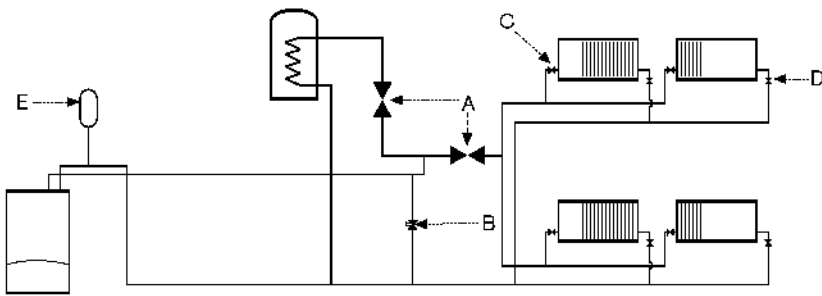
Valve



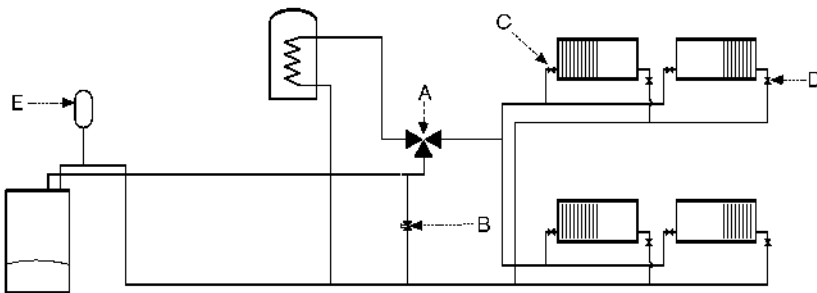
Flushing Agent

PRE-INSTALLATION

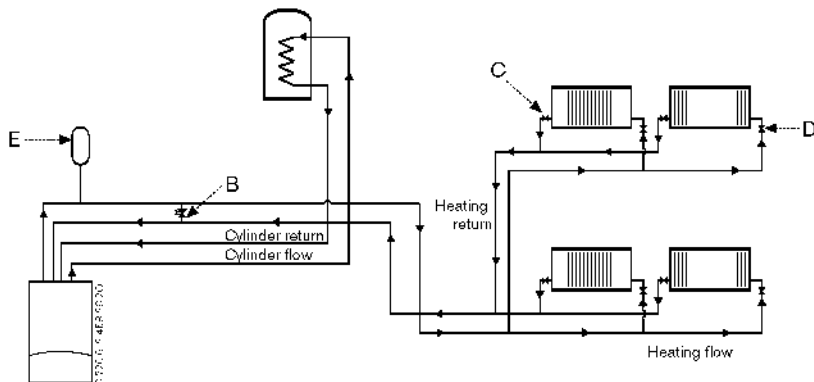
S PLAN LAYOUT



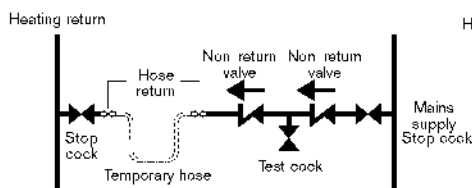
Y PLAN LAYOUT WITH EXTERNAL DIVERTER VALVE



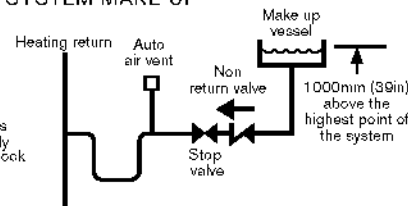
SYSTEM LAYOUT WITH OPTIONAL INTERNAL DIVERTER VALVE FITTED (NOT SUPPLIED WITH BOILER)



SYSTEM FILL



SYSTEM MAKE UP



PLASTIC PIPEWORK:

- Any plastic pipework must have a polymeric barrier with 600 mm (minimum) length of copper or steel pipe connected to the boiler.
 - Plastic pipework used for underfloor heating must be correctly controlled with a thermostatic blending valve limiting the temperature of the circuits to approx. 50°C.
- The pipework from the boiler to the blending valve must be in copper or steel (protected from corrosion).

CONNECTIONS/VALVES:

- All system connections, taps and mixing valves must be capable of sustaining a pressure up to 3 bar.
- Radiator valves should conform to BS2767:10.
- All other valves should conform to BS1010.
- On new installations, or extensions to existing systems where a radiator previously did not exist, each radiator should be fitted with a TRV, except the one fitted in the same room/area as the room thermostat.
- On boiler only replacement jobs, it is recommended, (but not mandatory,) to fit a TRV on each radiator. It is, however, a requirement, for energy conservation purposes, to recommend to the customer that a TRV is fitted to each radiator.
- An automatic bypass may be required, (downstream of the pump), in order to maintain the minimum flow-rate through the appliance.
- A drain cock is required at the lowest point on the system.
- An air vent is required at the highest point on the system.

- A Diverter Valve
- B Automatic Bypass
- C Radiator Valve (Flow)
- D Lockshield Valve (Return)
- E Extra expansion Vessel

- **NB A drain cock should be fitted at the lowest point of the heating circuit and beneath the appliance.**

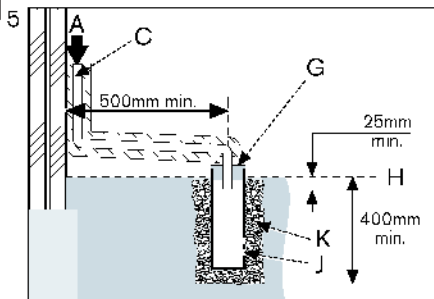
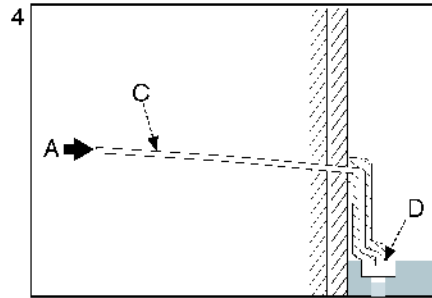
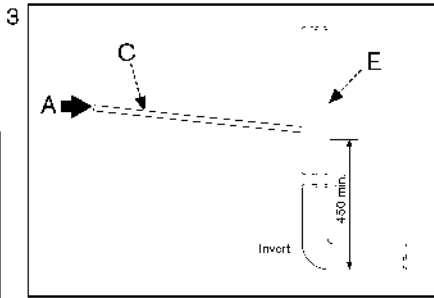
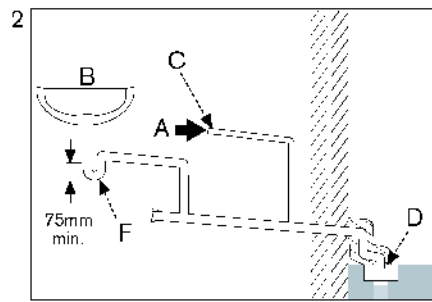
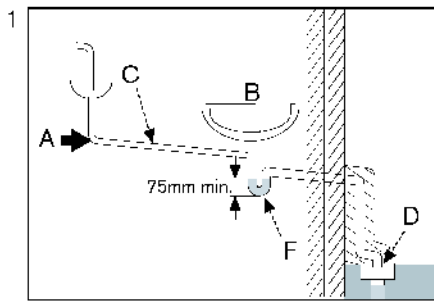
OPTIONAL INTERNAL DIVERTER VALVE:

- The sealed system must be filled using a WRAS approved filling loop or comply with the diagram opposite for System fill
- Where the system volume is more than 100 litres or exceeds 2.65 bar at maximum heating temperature an extra expansion vessel (E) must be fitted as close as possible to the appliance in the central heating return.
- Pressurize the extra expansion vessel (E) to the same figure as the expansion vessel built into the appliance.
- Do not use galvanised pipes or radiators.
- **NB A drain cock should be fitted at the lowest point of the heating circuit and beneath the appliance.**

PRE-INSTALLATION

CONDENSATE PIPEWORK

PRE-
INSTALLATION



- 1 Internal sink/washing machine drain
- 2 Internal waste drainage system
- 3 Soil/vent stack
- 4 External drainage system
- 5 External condensate absorption point

- A - Condensate from boiler
 B - Sink
 C - 22 mm Ø plastic condensate pipe
 D - Gulley
 E - Internal soil and vent stack
 F - Serviceable waste trap (75 mm min)
 G - 300 mm x 100 mm Ø sealed plastic tube
 H - Ground level
 J - Drainage holes 50 mm from base of tube (12 mm Ø at 25 mm centres) facing away from building
 K - Limestone chippings

CONDENSATE PIPEWORK:

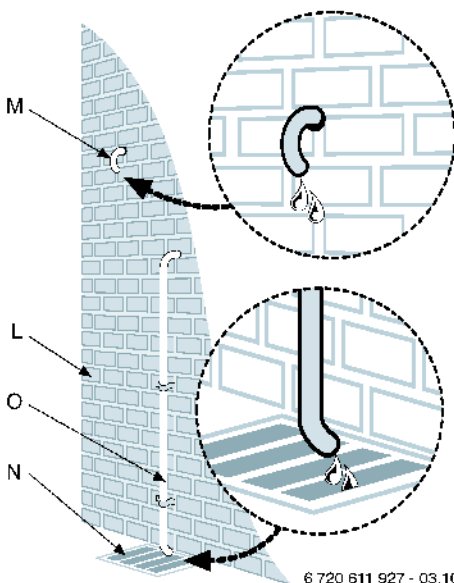
- The condensate pipe must be a minimum of 22 mm Ø plastic pipe.
- The condensate pipework must fall at least 50 mm per metre towards the outlet and should take the shortest practicable route.
- The pipework must follow one of the options shown opposite into an internal serviceable trap (min. 75 mm) such as a sink/washing machine and discharge direct into a vent stack (E) min. 450 mm above pipe invert or into a gulley (D) below ground but above the water level.
- Wherever possible the condensate discharge pipe work should be routed and terminated internally. Should this not be possible, and the only available route is external, the following conditions should be observed:
 - Pipe work length should be kept to a minimum and the route as vertical as possible.
 - Where pipe work could be subjected to extreme cold or wind chill, a weather proof insulation should be used. Alternatively the condensate pipework could be increased to a minimum 32 mm without the requirement to insulate.

IMPORTANT: Ensure there are no blockages in the pipe run.

PRESSURE RELIEF PIPEWORK

IMPORTANT: The pressure relief valve is a safety device for the boiler and if activated may discharge boiling water or steam through the relief valve drain pipe. Care should be taken when siting the outlet pipe so that it does not cause an obstruction or discharge above a window, entrance or other public access where it could cause a hazard.

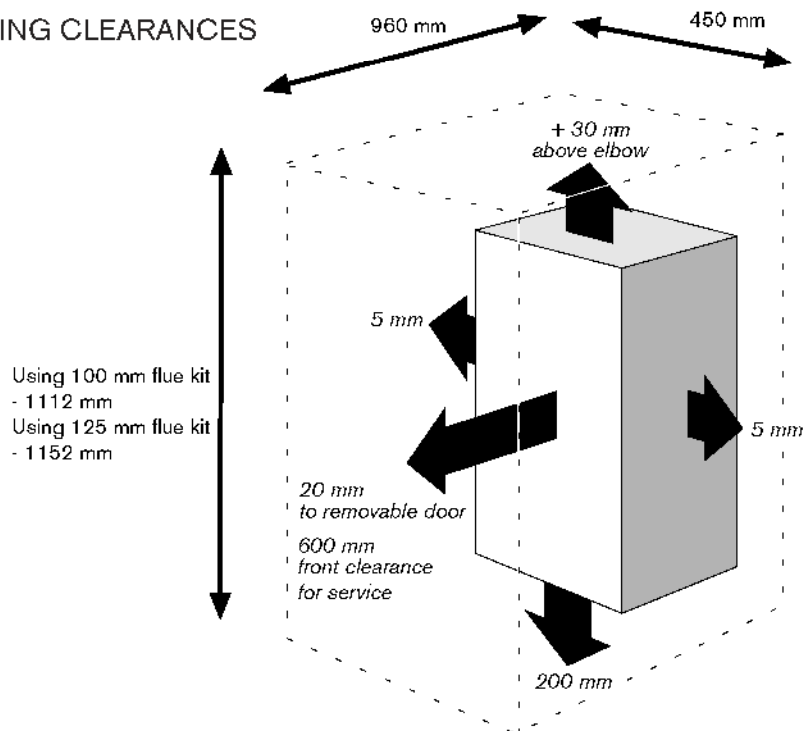
- The pressure relief drain pipe (M,O) from the boiler should be at least 15 mm diameter copper pipe and run downwards away from any electrics or other hazard, preferably to an external drain or soakaway.
- Pipe (M) should be finished with a partial bend, near the outlet to face the external wall (as shown) to help prevent freezing.
- Use waterproof pipe insulation in exposed positions and for external pipework.



- L - Outside wall
 M, O - Drain pipe
 N - External drain

6 720 611 927 - 03.10

SERVICING CLEARANCES



BOILER LOCATION &

CLEARANCES

This boiler is only suitable for installing internally within a property at a suitable location onto a fixed, rigid non-combustible surface at least the same size as the boiler and capable of supporting the boiler weight.

COMPARTMENTS:

Follow the requirements of BS6798 and BS5440 Part 2 and note:

- Minimum clearances must be maintained
- An access door is required to install, service and maintain the boiler and any ancillary equipment.
- If fitting the boiler into an airing cupboard use a non-combustible perforated material (maximum hole sizes of 13mm) to separate the boiler from the airing space.

BOILER CLEARANCES:

The diagram opposite shows the minimum space required to install and service the boiler.

VENTILATION

This is a room sealed appliance and does not require any air for combustion from inside the property. If the appliance is fitted into a cupboard or a compartment is built around the appliance after installation, then the compartment must be separated from the boiler space by a perforated non-combustible partition as described in BS 6798.

Notwithstanding the requirements of BS 6798 and BS 5440 there is no need for ventilation openings to be provided in the compartment because of the low heat loss from the appliance casing, if the clearances shown are maintained. Do not operate the appliance if the flue terminal fitted on the outside wall or roof is obstructed or damaged.

IMPORTANT: IF FITTING OPTIONAL INTEGRAL DIVERTER VALVE install the pipework as shown in the diagram on the left side (see also additional informations in the document coming with the diverter valve kit).

If no diverter valve is fitted install the pipework as shown in the diagram on the right side.

PLUMBING MANIFOLD

CONNECTIONS:

Heating System: 22 mm compression fittings

DHW: 15 mm compression fittings

Gas: 22 mm compression fittings

Use the fittings supplied in the Hardware pack.

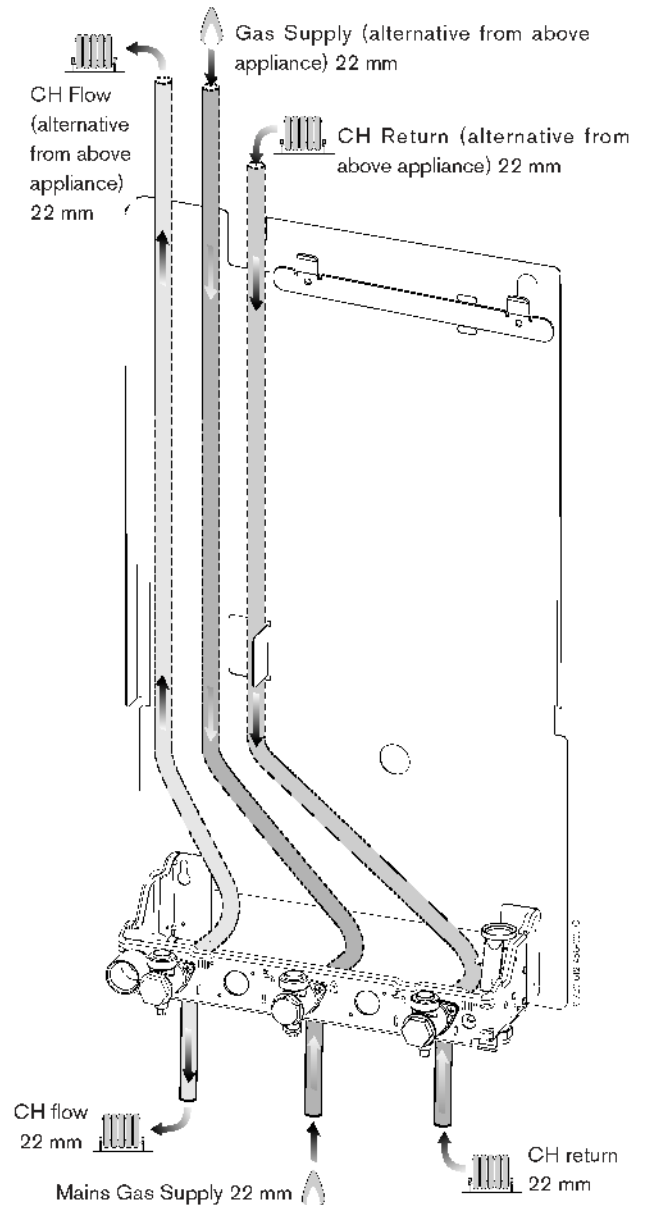
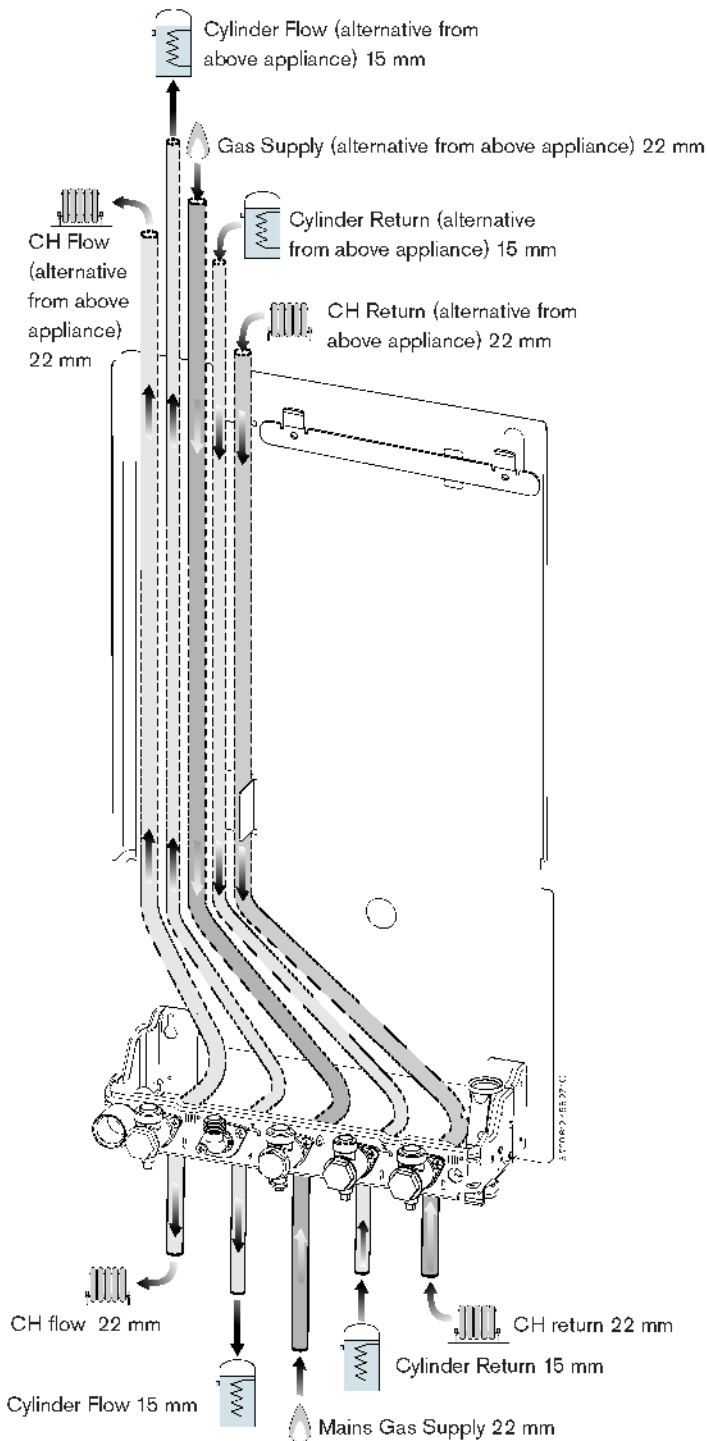
PREPLUMBING

With the plumbing manifold installed, pipework can be installed to the valves on the manifold.

The valves can be closed enabling CH system to be tested. The boiler can be installed at later date.

RUNNING PIPES BEHIND THE BOILER

If the boiler pipes are to be run behind the appliance ensure that the pipes pass close to the wall as shown in the diagram opposite, and within the pipe guide.



PRE-
INSTALLATION

Minimum dimensions of flue terminal positions for balanced room sealed flues with fanned draught:

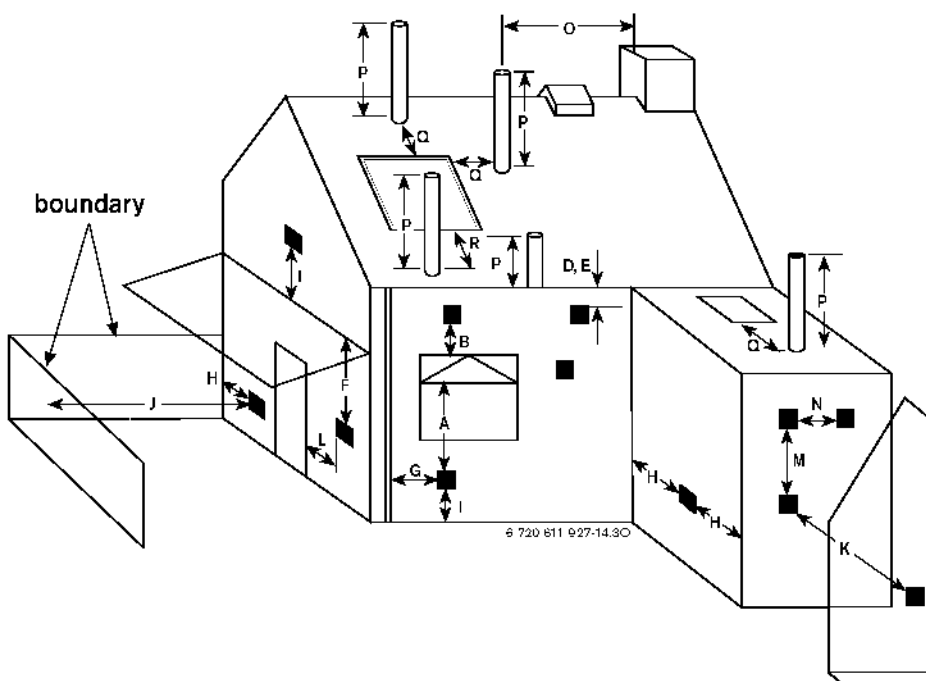
DRWG. REF:	TERMINAL POSITION	DISTANCE
A ¹	Directly below an opening, air brick, opening windows, etc.	300mm
B ¹	Above an opening, air brick, opening window, etc.	300 mm
C	Horizontally to an opening, air brick, opening window, etc.	300 mm
D	Below gutters, soil pipes or drain pipes	75mm
E	Below eaves	200mm
F ²	Below balconies or car port roof (lowest point)	200mm
G	From a vertical drain pipe or soil pipe	150mm
H	From an internal or external corner	300mm
I	Above ground, roof or balcony	300mm
J	From a surface facing the terminal	600mm
K	From a terminal facing the terminal	1200mm
L ²	From an opening in the car port (e.g. door, window) into the dwelling	1200mm
M	Vertically from a terminal on the same wall	1500mm
N	Horizontally from a terminal on the same wall	300mm
O	From a non combustible vertical structure on the roof	★
P	Above intersection with roof	★
Q	Adjacent to windows or openings on pitched and flat roofs	600mm
R	Below windows or openings on pitched roofs	2000mm

1 In addition, the terminal should not be nearer than 150mm (fanned draught) to an opening in the building fabric formed for the purpose of accommodating a built-in element such as a window frame.

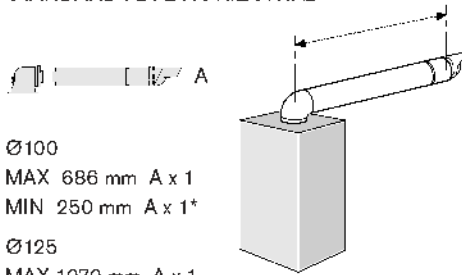
2 Not recommended.

★ See instructions supplied with vertical flue kits.

- The flue must be fitted and terminated in accordance with the recommendations of BS5440 : Part 1.
- The flue must not cause an obstruction.
- Discharge and any noise from the flue outlet must not cause a nuisance.
- Flue gases have a tendency to plume and in certain weather conditions a white plume of condensation will be discharged from the flue outlet. Where this could be a nuisance, for example, near security lighting, an alternate position should be found.
- The air inlet/outlet duct and the terminal of the boiler must not be closer than 25mm to any combustible material. Detailed recommendations on protection of combustible materials are given in BS 5440:1
- A protective terminal guard must be fitted if the terminal is 2m or less above a surface to which people have access. The guard must be spaced equally (minimum 50 mm) around the flue and fixed to the wall with plated screws. See Contact Information (inside front cover).



STANDARD FLUE HORIZONTAL

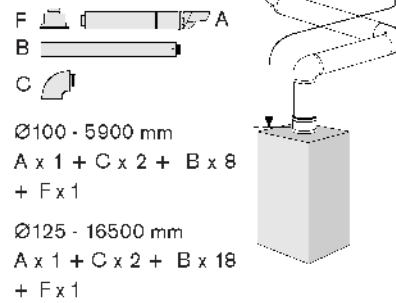


Ø100
MAX 686 mm A x 1
MIN 250 mm A x 1*

Ø125
MAX 1070 mm A x 1
MIN 250 mm A x 1*

* Requires cutting

MAXIMUM FLUE VERTICAL START + 2 BENDS

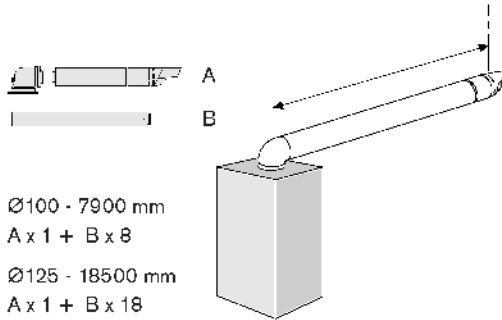


F
B
C

Ø100 - 5900 mm
A x 1 + C x 2 + B x 8
+ F x 1

Ø125 - 16500 mm
A x 1 + C x 2 + B x 18
+ F x 1

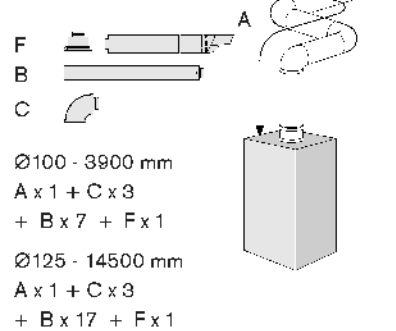
MAXIMUM FLUE HORIZONTAL



Ø100 - 7900 mm
A x 1 + B x 8

Ø125 - 18500 mm
A x 1 + B x 18

MAXIMUM FLUE VERTICAL START + 3 BENDS

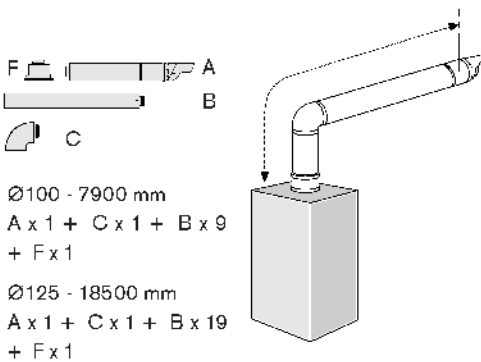


F
B
C

Ø100 - 3900 mm
A x 1 + C x 3
+ B x 7 + F x 1

Ø125 - 14500 mm
A x 1 + C x 3
+ B x 17 + F x 1

MAXIMUM FLUE VERTICAL START + 1 BEND

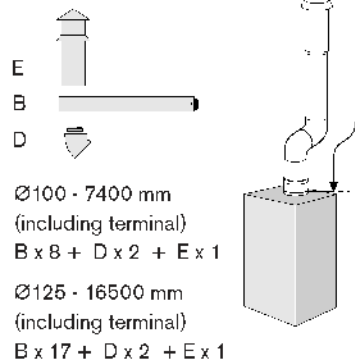


F
B
C

Ø100 - 7900 mm
A x 1 + C x 1 + B x 9
+ F x 1

Ø125 - 18500 mm
A x 1 + C x 1 + B x 19
+ F x 1

MAXIMUM FLUE VERTICAL WITH 2 X 45° BENDS

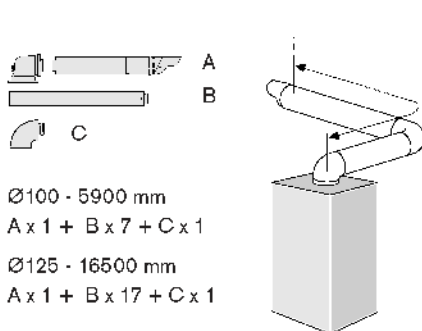


E
B
D

Ø100 - 7400 mm
(including terminal)
B x 8 + D x 2 + E x 1

Ø125 - 16500 mm
(including terminal)
B x 17 + D x 2 + E x 1

MAXIMUM FLUE HORIZONTAL + 1 BEND

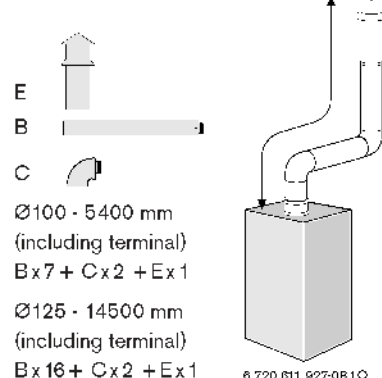


A
B
C

Ø100 - 5900 mm
A x 1 + B x 7 + C x 1

Ø125 - 16500 mm
A x 1 + B x 17 + C x 1

VERTICAL FLUE WITH 2 X 90° BENDS



E
B
C

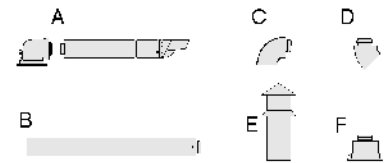
Ø100 - 5400 mm
(including terminal)
B x 7 + C x 2 + E x 1

Ø125 - 14500 mm
(including terminal)
B x 16 + C x 2 + E x 1

6 720 611 927-08.1 O

FLUE OPTIONS

- The diagrams (opposite) show the components used and the maximum flue length for each configuration of 100 mm and 125 mm Ø flues.
- Shaded flue components indicate the standard 100 mm Ø horizontal flue.
- Only straight flue sections can be reduced in length and cut.
- The flue terminal end can be fitted from the inside or outside of the building.
- Fixing kits are supplied with the flue extension kits.
- Horizontal 125 mm Ø and Vertical 100 mm and 125 mm Ø flue kits are available with separate instructions. Contact your supplier or Worcester Bosch.



- A - Standard horizontal flue (100 mm Ø shown)
- B - Straight flue extension
- C - Flue bend, 90°
- D - Flue bends, 45°
- E - Vertical terminal (vertical adaptor supplied with terminal)
- F - Vertical adaptor (used with horizontal terminal)

Calculating the flue length:

Measure the total flue length required, noting that the maximum straight flue length including the terminal is:

Horizontal 60/100 mm Ø: 7900 mm
Horizontal 80/125 mm Ø: 18500 mm
Vertical 60/100 mm Ø: 9400 mm
Vertical 80/125 mm Ø: 18500 mm

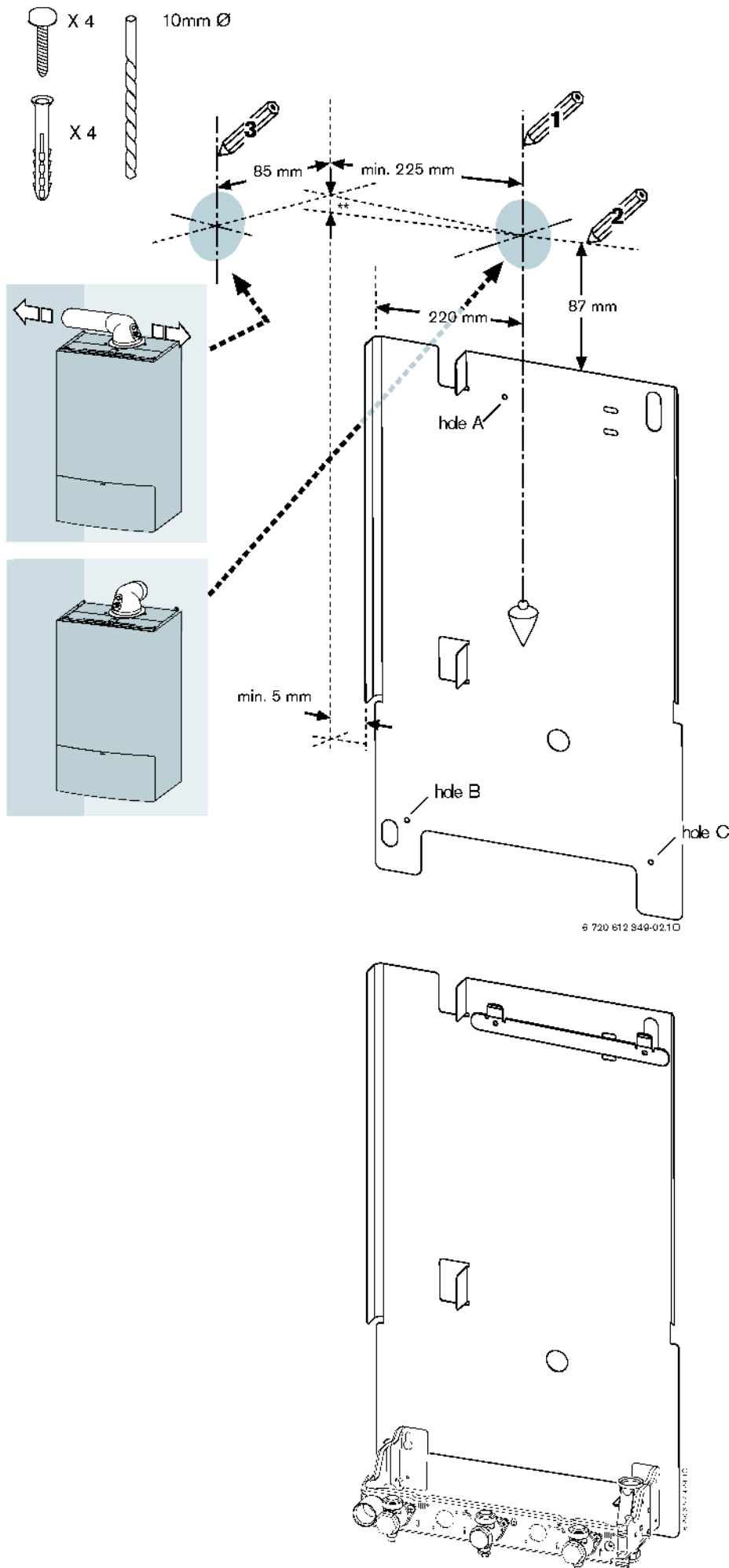
Then reduce the total straight flue length for each extra flue bend (excluding the turret) by:
2000 mm for 90°
1000 mm for 45°

Flue extension total lengths:

Horizontal & Vertical 60/100 mm Ø: 960 mm
Horizontal & Vertical 80/125 mm Ø: 1000 mm

Flue terminal total lengths:

Horizontal 60/100 mm Ø: 800 mm
Horizontal 80/125 mm Ø: 1200 mm
Vertical 60/100 mm Ø: 1140 mm
Vertical 80/125 mm Ø: 1365 mm



WALL MOUNTING PLATE

FLUE OPENING

CAUTION: Ensure there are no pipes, electric cables, damp proof courses or other hazards before drilling.

SAFETY:

All relevant safety precautions must be undertaken. Protective clothing, footwear, gloves and safety goggles must be worn as appropriate.

FIXING THE POSITION OF THE WALL MOUNTING PLATE:

- The diagram opposite shows the relative positions of the flue and the fixing of the wall mounting plate, the mounting plate and pre-plumbing manifold.
- ▶ Place the wall mounting plate against the wall in the desired position.
- ▶ Mark 3 fixing points through the holes (A, B, C) in the wall mounting plate.
- ▶ Drill the 3 holes for wall mounting plate, wall hanging bracket and pre-plumbing manifold.
- ▶ Secure wall mounting plate with hanging bracket with 3 screws (supplied with the boiler). Do not fully fasten the lower 2 screws.
- ▶ Use the horizontal slots in the wall mounting plate to level the hanging bracket, mark the 4th hole and drill.
- ▶ Fix and secure the hanging bracket with both screws.

FLUE OUTLET

- ▶ Follow the diagram opposite to mark the centre of the flue for rear outlet (1, & 2) or for side outlet (2 & 3).
- ** Note: increase this height by 52 mm for every 1000 mm of horizontal length that the flue outlet is away from the boiler.
- ▶ For the 60/100 mm Ø flue make a 125 mm diameter hole through the wall using a core drill or similar.
- For flues using an optional weather collar, fitted from inside the building make a 150 mm Ø hole.
- ▶ Clear away any debris.

FIXING THE PRE-PLUMBING MANIFOLD:

- ▶ Mount the pre-plumbing manifold on the 2 lower screws and secure the screws.

BOILER CONNECTIONS

CAUTION: ISOLATE THE MAINS GAS SUPPLY BEFORE STARTING ANY WORK AND OBSERVE ALL RELEVANT SAFETY PRECAUTIONS.

GAS AND WATER CONNECTIONS:

- ▶ System pipes may be run vertically upwards behind the boiler or below it. See Plumbing Manifold Section on page 15.

- A - CH flow (22 mm),
- B - CH return (22 mm),
- C - Gas inlet (22 mm),

If optional diverter valve is to be fitted (1.1 and 5.1):

- D - Cylinder flow (15 mm),
- E - Cylinder return (15 mm)

- ▶ 1. Fit sealing washers to service valves before hanging boiler.
- ▶ Remove dust caps from connections on boiler.

NOTE: The accessibility to the preplumbing manifold can be improved by removing the condensate trap (see also page 39).

IMPORTANT: Before hanging the boiler onto the wall mounting plate ensure that the pressure relief valve connection is in the DOWN position. This is located on the right hand side of the wall frame at the rear.

- ▶ 2. Pull the extended tab/lever forward and down until there is no further travel.
- ▶ 3. Hang the boiler on to the hanging bracket. The lugs pass through the rectangular holes in the boiler back panel. Take care not to disturb the washers on the connections.

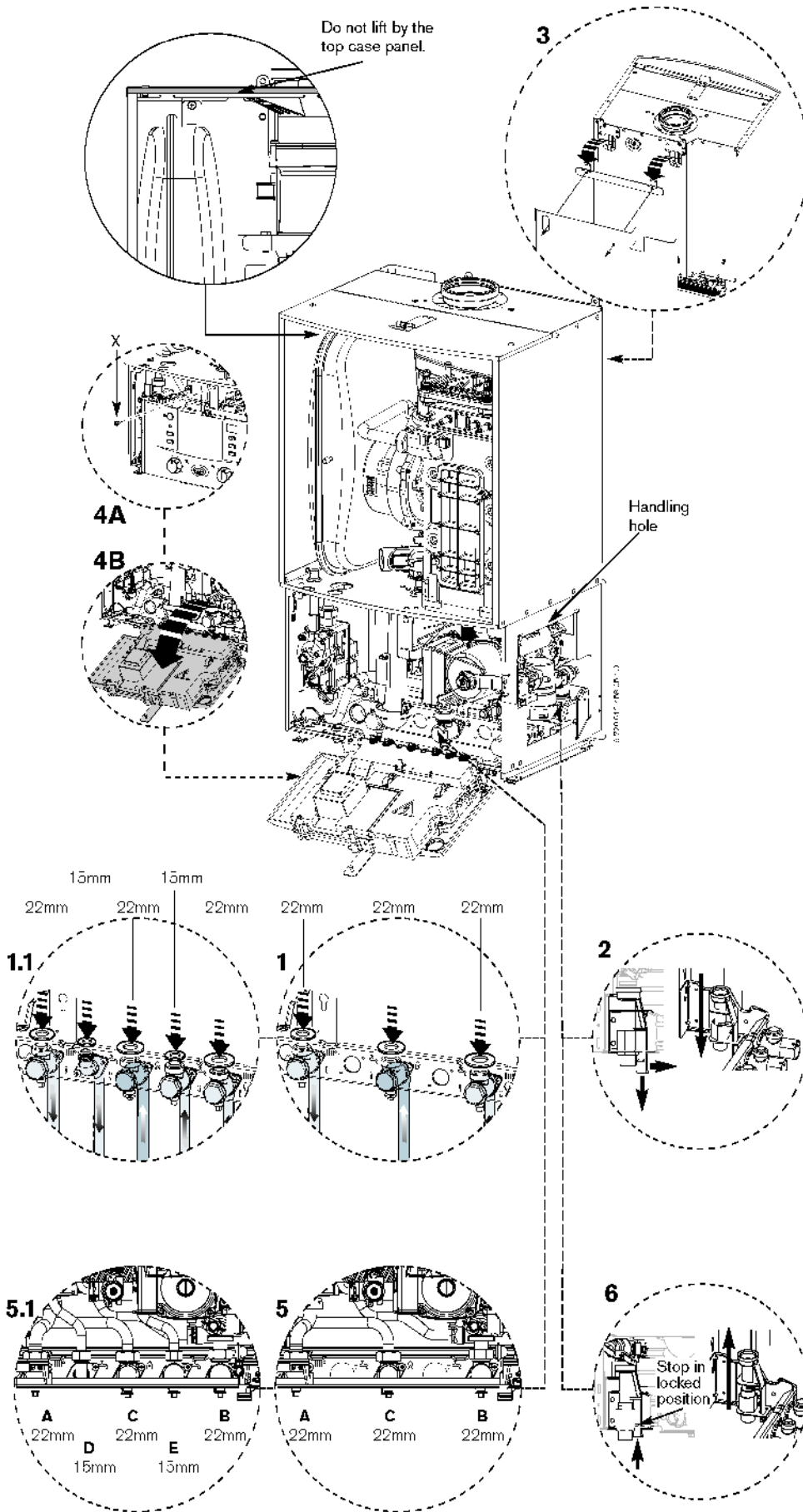
NOTE: It is recommended that this lifting operation is carried out by 2 people, observing all precautions for the safe lifting of heavy objects.

Do not lift by the top case panel. There are two handling holes incorporated into the inner casing left and right in the lower section of the appliance.

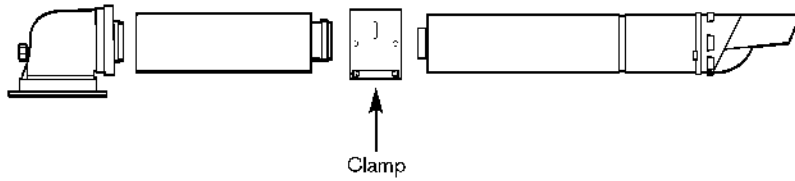
- ▶ 4. Lower the control panel into the service position by removing the screw (X) from the retaining bracket.
- ▶ 5. Make connections to the heating system.
- ▶ Connect the gas supply to the boiler gas cock 22 mm compression.
- ▶ 5.1. If optional diverter valve is to be fitted: Connect cylinder flow and return.

IMPORTANT: The pressure relief connector must be repositioned after the boiler has been correctly mounted to the wall mounting plate.

- ▶ 6. Push the lever on the pressure relief connector UP until the stop on the inside of the handle is over the shoulder of the metal bracket to secure in place.



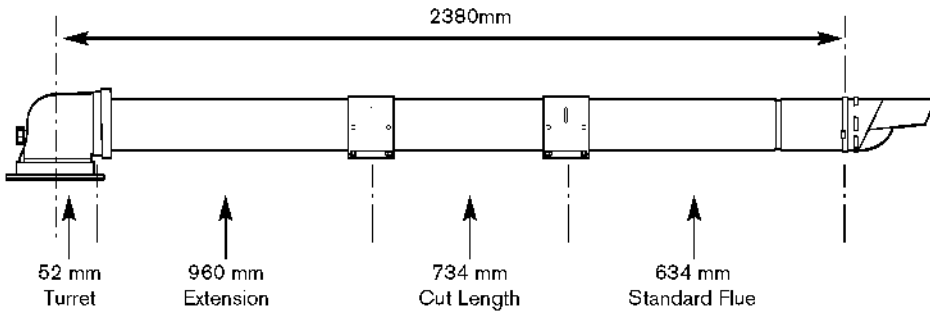
INSTALLATION



MEASURING THE FLUE (Extension Flue Kits):

ONLY CUT EXTENDED FLUE LENGTHS

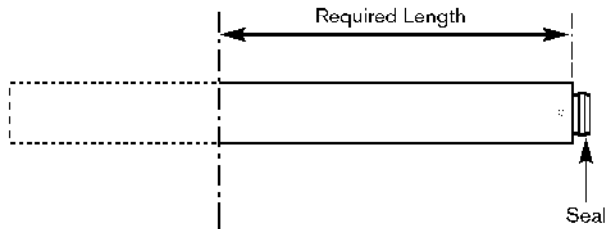
- ▶ As with the Standard Flue measure from the outside wall to the centre line of the flue turret (length L).
- ▶ Subtract the usable length of the standard flue (634 mm) from length L.
- ▶ Subtract the usable length of the turret (52 mm) from length L.
- ▶ Subtract 960 mm for each full length extension from the figure.
- ▶ Cut one of the extensions to the remainder.
- ▶ Cut both tubes square taking care not to distort the tubes.
- ▶ Remove any burrs.



EXAMPLE:

Length L	=	2380 mm
Subtract Standard Flue	-	634 mm
Subtract Turret	-	52 mm
Subtract Full Extension	-	960 mm
Cut Length	=	734 mm

INSTALLATION



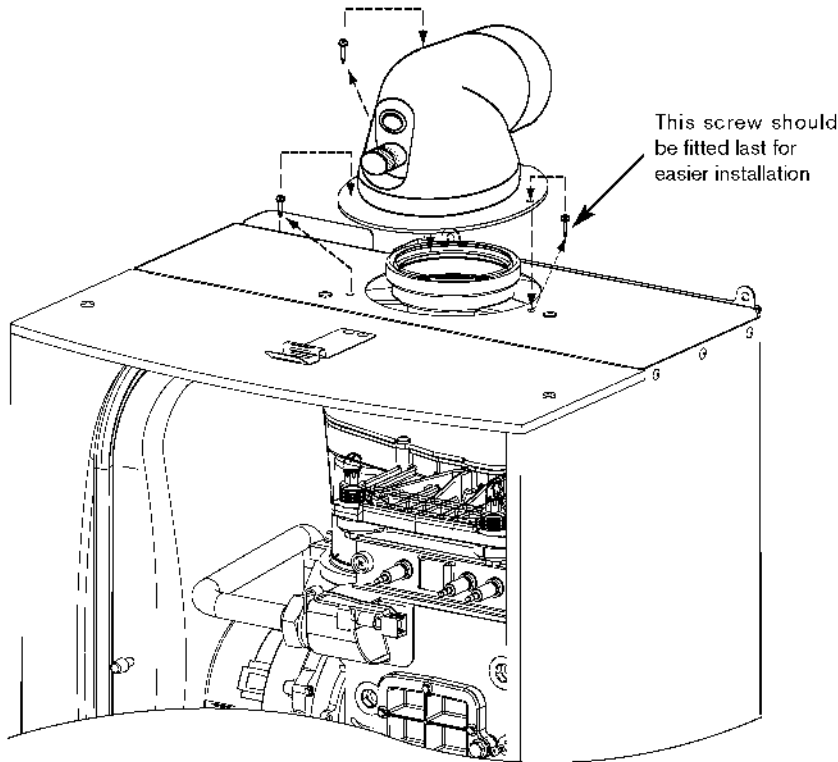
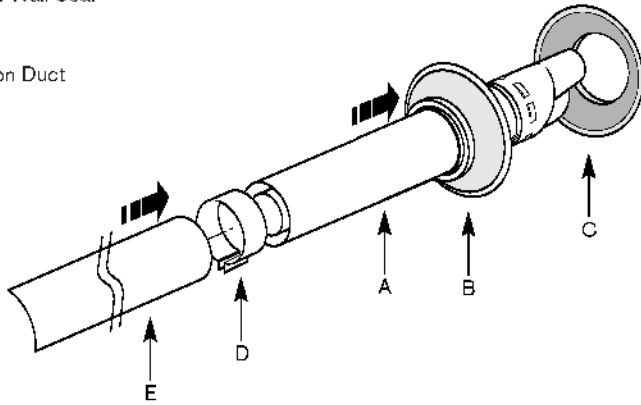
NOTE: Where extensions are reduced, cut length which **DOES NOT** contain the seal.



ADDITION OF FLUE BENDS:

When flue bends are being used an allowance of 94 mm per bend must be allowed from the centre line of the bend. In the example shown using a flue extension (960 mm) with 2 bends will achieve a total length of 1148 mm.

- A - Standard Flue
- B - Internal Wall Seal
- C - External Wall Seal
- D - Clamp
- E - Extension Duct



ASSEMBLING THE FLUE

- 1 Slide inner collar (B) onto terminal (A)
- 2 Additional extensions or bends:
Push fit all extensions/bends/terminal together and secure connections with clamps (D). The slope of the terminal outlet must face downwards.

FITTING THE FLUE

- 3 Fit the terminal (A) through the flue opening in the wall, exposing the plastic outlet section to the outside and fit the outer flue collar (C) over the notches to secure.

- 4 Assemble turret to boiler using the three screws (see below).

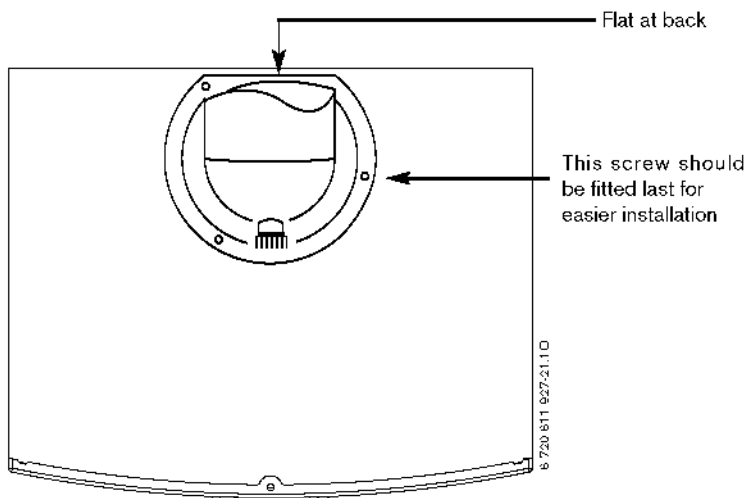
Note: Screws are in boiler or in flue kit.

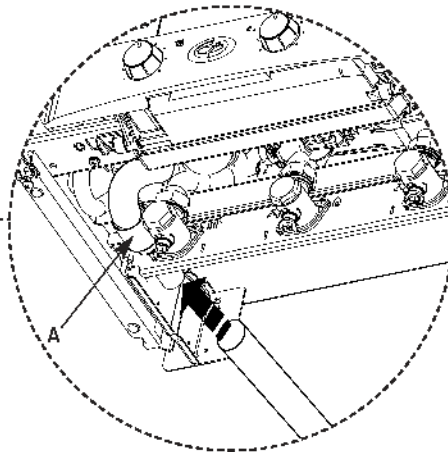
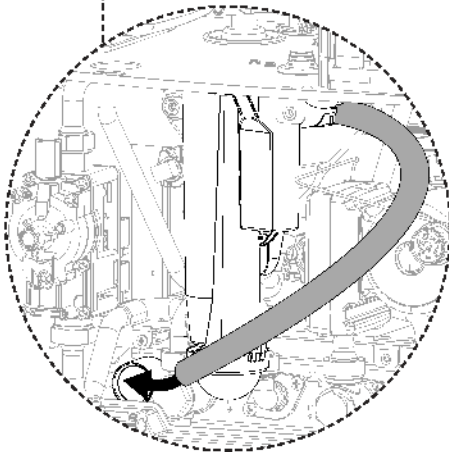
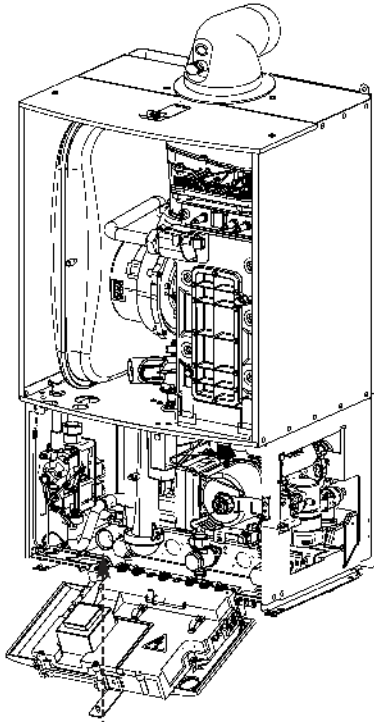
FITTING THE TURRET:

- Flue turret should push directly down and not be twisted into correct position.
 - ▶ Fit turret onto appliance and retain with three screws.
- NOTE:** The clamping plate flat should be at the rear of the appliance.

ADDITIONAL NOTES AND REMINDERS:

- Ensure that all cut lengths are square and free from burrs.
- The flue, when assembled, is fully sealed and components are pushed home.
- The flue is set at an angle of 3° or 52 mm per additional 1m length of extension used.





Never terminate or discharge into any open source, including; sink, bath, shower, bidet, toilet etc.

Note: any external condensate pipework of excessive runs should be protected with weather resistant insulation to help prevent freezing.

- Ensure that the condensate drain is 22 mm diameter plastic pipe. It must fall at least 50 mm per metre towards the outlet.
- An adapter (A) in 22 mm pipe is contained in the fitting pack.

CHECKS

CAUTION: ISOLATE THE MAINS SUPPLIES BEFORE STARTING ANY WORK AND OBSERVE ALL RELEVANT SAFETY PRECAUTIONS

- ▶ 1. Check that the service and water pipes are connected to the correct position on the manifold.

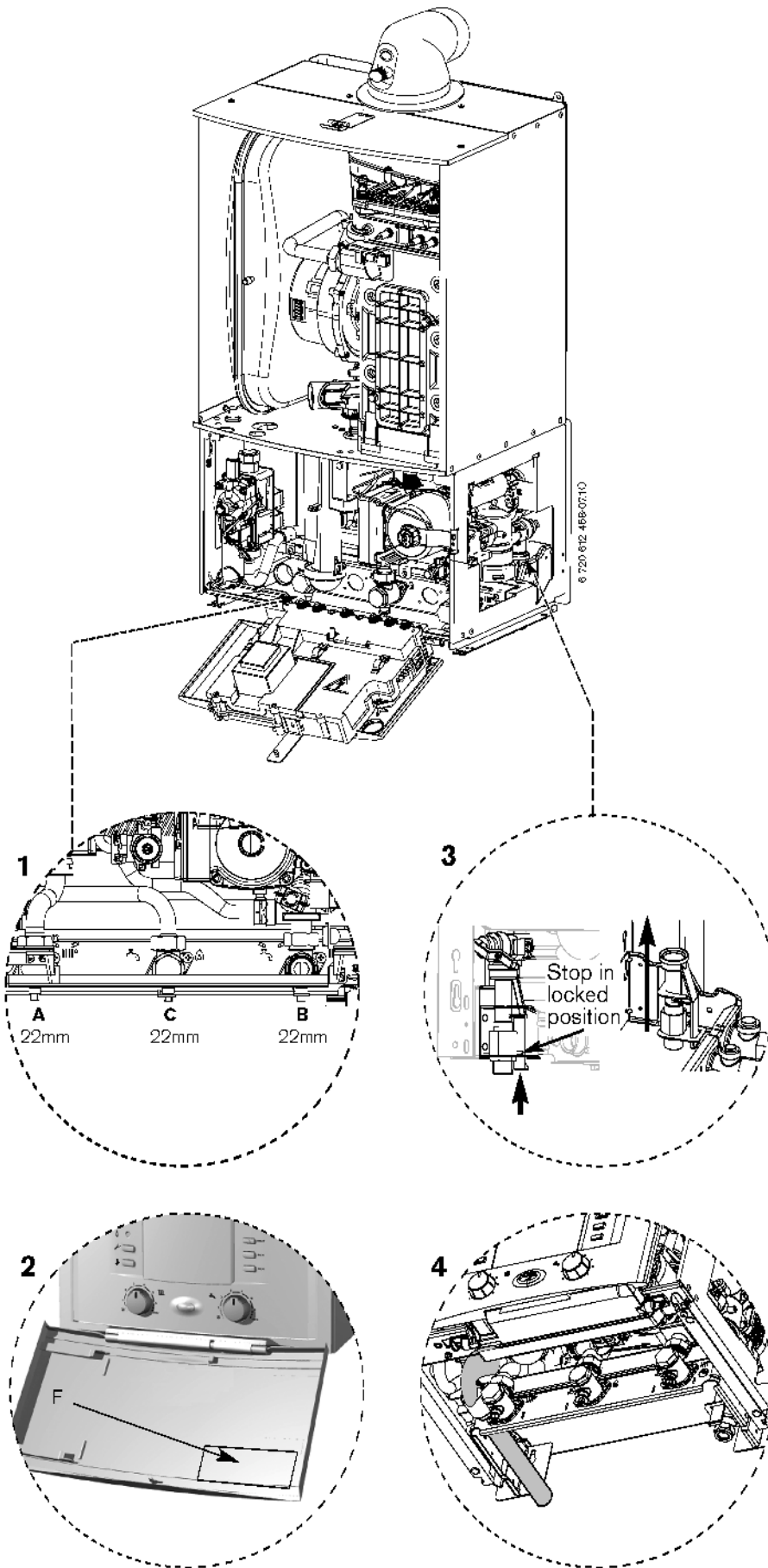
- A - CH flow (22mm),
- B - CH return (22mm),
- C - Gas inlet (22mm),

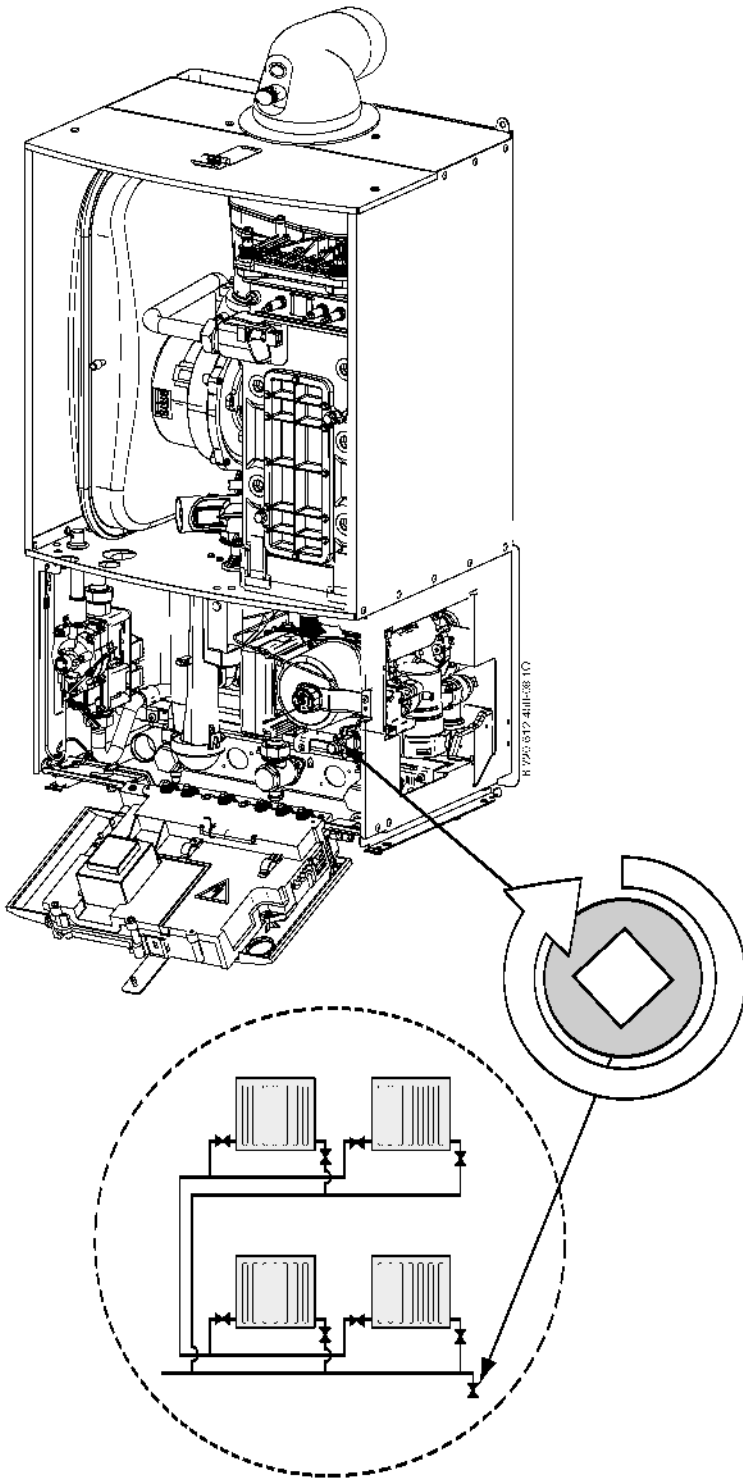
- ▶ 2. Check the gas type specified on the identification plate (F) matches that of the gas supply. Turn on the main gas supply, check the gas pipework, connections and rectify any leaks.

- ▶ 3. Check that the pressure relief connector, located on the right hand side at the bottom of the wall frame, in its up position.

- ▶ 4. Check that the condensate pipe has been connected to the adapter.

IMPORTANT: If the boiler is not to be commissioned immediately then: after successfully completing all of the checks and any rectification work, close the gas and water valves, shut off the gas supply and electrically isolate the boiler.

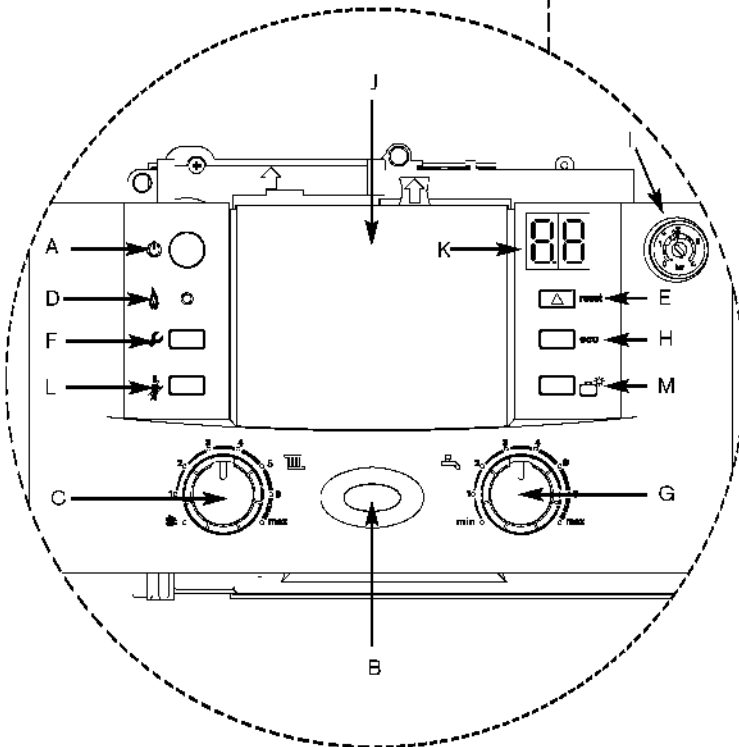
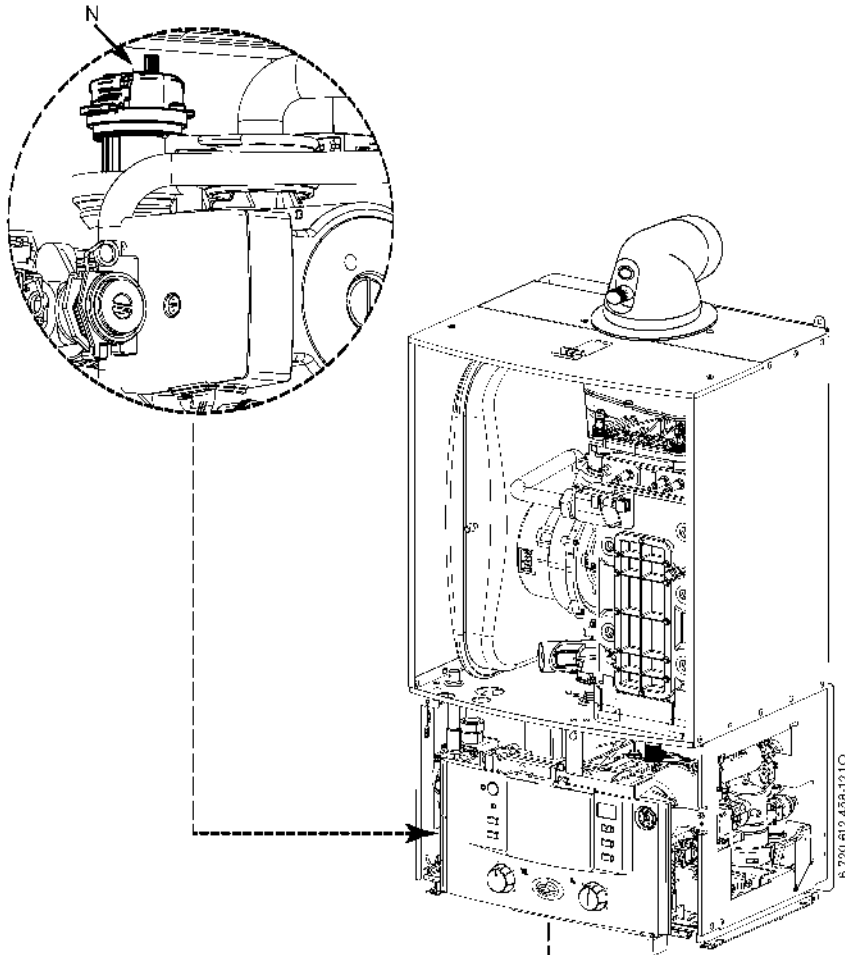




- 1 Ensure all system and boiler drain points are closed.
- 2 For sealed systems fill the system using a WRAS approved filling loop to a pressure of 1 bar.
- 3 Vent all radiators, retighten when completed and check the system and correct any leaks.
 - The boiler integral expansion vessel is precharged to 0.75 bar (equal to a static head of 7.5 meters [22 ft]). A Schraeder type valve is fitted to the expansion vessel to allow for pressure adjustment if required.
 - If an extra expansion vessel is fitted to the central heating return, adjust to the **same pressure** as the appliance internal expansion tank, refer to separate instructions with the extra expansion vessel.
- 4 Briefly open the pressure relief valve to test its operation.
- 5 Refill the system up to 1 bar.

GAS SUPPLY

- ▶ Open gas cock on the boiler and purge the gas supply to the boiler ensuring that the room is well ventilated.
- ▶ Test gas supply for soundness as described in BS 6891.



IMPORTANT: Never run the appliance when the appliance/system is empty or partially filled.

SWITCHING THE APPLIANCE ON/OFF:

- 1 ▶ Turn on mains power supply.
▶ Turn on any external controls.
Set the thermostatic radiator controls to maximum temperature.
Set the clock/programmer to continuously ON and the room thermostat to maximum temperature.
- 2 A - On/off button
B - On/off and fault indicator (BLUE)
C - Central heating temperature control
D - Burner indicator (GREEN)
E - Reset button
F - Service button
G - DHW temperature control (only in conjunction with optional diverter valve)
H - ECO button (only in conjunction with optional diverter valve)
I - System pressure gauge
J - Cover or optional programmer with intelligent functionality
K - Display
L - Central heating boost button
M - Holiday button (only in conjunction with optional diverter valve)
N - Automatic air vent

▶ Press button (A) and the power on indicator (B) illuminates BLUE. After a few seconds the display will show the flow temperature.

- 3 ▶ Turn the CH temperature control (C) to maximum. The burner on indicator (D) illuminates GREEN when the burner has lit.

NOTES:

• The first time the appliance is switched on, a once-only venting function is activated. The heating pump then switches on and off at intervals. This sequence lasts about 8 minutes. The display shows 0° in alternation with the CH flow temperature. The automatic air vent (N) must be open, please verify.

• The boiler runs for 15 minutes at minimum heating output to fill the condensate trap, the display (K) alternates between "H" and the central heating flow temperature. This occurs every time the mains supply has been interrupted.

- 4 ▶ If the boiler fails to light the BLUE power indicator (B) and reset button (E) will flash alternately.
To reset press and hold the reset button (E) for 2 seconds. The boiler will be reset.

CAUTION: DO NOT PRESS POWER INDICATOR (B) TO RESET BOILER.

WATER TREATMENT

IMPORTANT: Debris from the system can damage the boiler and reduce efficiency. Failure to comply with the guidelines for the use of water treatment with the appliance will invalidate the appliance warranty.

ENSURE THAT THE SYSTEM HAS BEEN CLEANED AS ON PAGE 9 OF THESE INSTRUCTIONS.

FLUSHING (Central Heating):

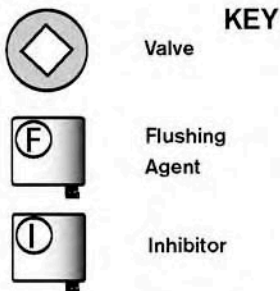
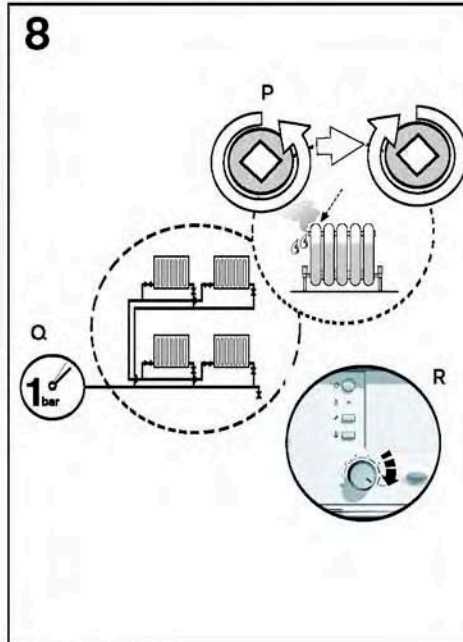
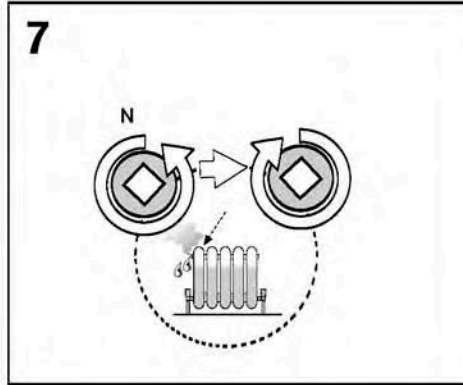
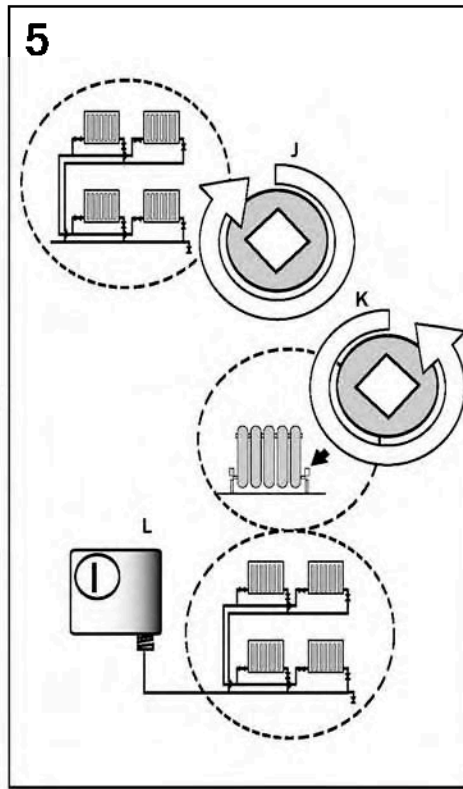
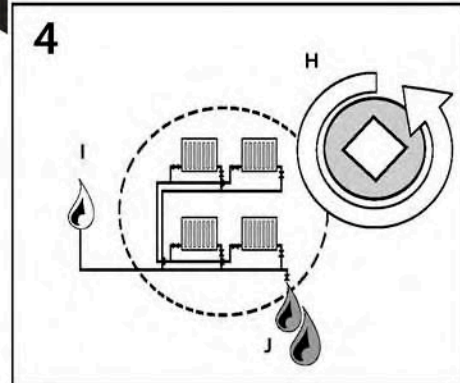
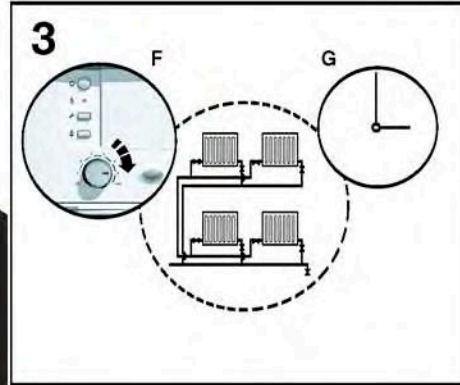
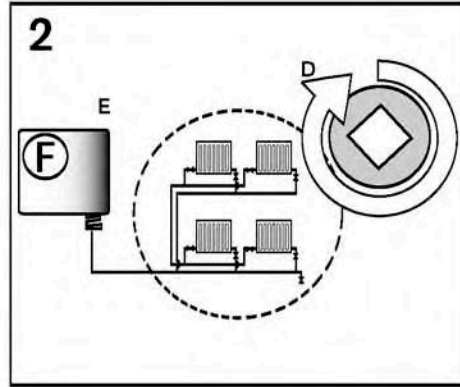
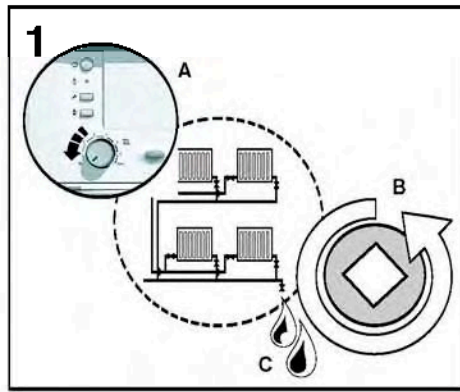
1. ▶ Switch off the boiler (A).
▶ Open all drain cocks (B) and drain the system (C) while the appliance is hot.
2. ▶ Close drain cocks (D) and add a suitable flushing agent (E) at the correct strength for the system condition in accordance with the manufacturer's instructions.
3. ▶ Run the boiler/system at normal operating temperature (F) for the time stated by the manufacturer of the flushing agent (G).
4. ▶ Drain (H) and thoroughly flush the system to remove the flushing agent and debris (I).

INHIBITOR (Central Heating):

5. ▶ Check drain cocks are closed (J) and all radiator valves are open (K) before adding a suitable* inhibitor (or combined inhibitor/anti-freeze if the system is exposed to freezing conditions) to the heating system water (L) in accordance with the manufacturers instructions.
6. Fill via a WRAS approved filling loop to between 1 and 2 bar.
7. ▶ Vent all radiators; retighten vents when complete (N).
8. ▶ Re-pressurise if necessary to 1 bar (Q).
▶ Set all controls to maximum (R).
▶ Record the date when the inhibitor was added to the system on the guarantee card.

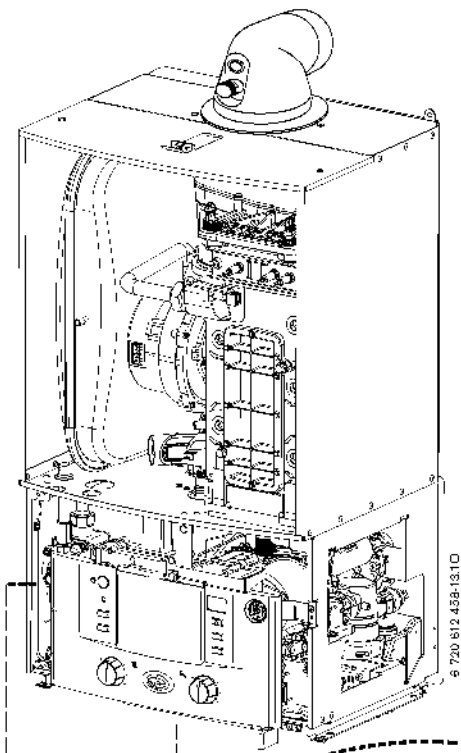
NOTE: The concentration level of inhibitor in the system should be checked every 12 months or sooner if system content is lost.

The addition of sealing agents to the system water is not recommended as this can cause problems with deposits left in the heat exchanger.



6 720 612 032-06.1O

* compatible with aluminium. The pH value of the system water must be less than 8 or the appliance guarantee will be invalidated.



NOTE: When fitted with the optional diverter valve (not supplied) and running in central heating boost mode, the boiler will operate both central heating and hot water circuits .
 If fitted to an S or Y plan system, the system must only be run in central heating mode.
 This is to allow sufficient time for this part of the commissioning procedure.

COMMISSIONING

THE COMBUSTION FOR THE APPLIANCE IS FACTORY SET. NO ADJUSTMENT IS REQUIRED IF THE GAS INLET PRESSURE IS CORRECT.

CHECKING GAS INLET PRESSURE:

The inlet pressure to the appliance must be checked using the following procedure:

SETTING THE BOILER TO MAXIMUM:

- ▶ Press central heating boost button (L) for ten seconds and set Central Heating temperature to maximum.
 - The central heating boost button will illuminate continually.

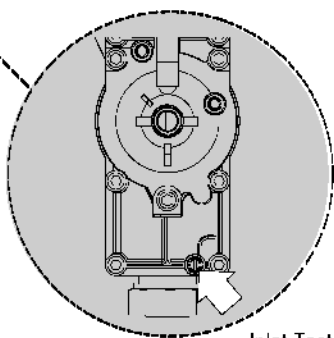
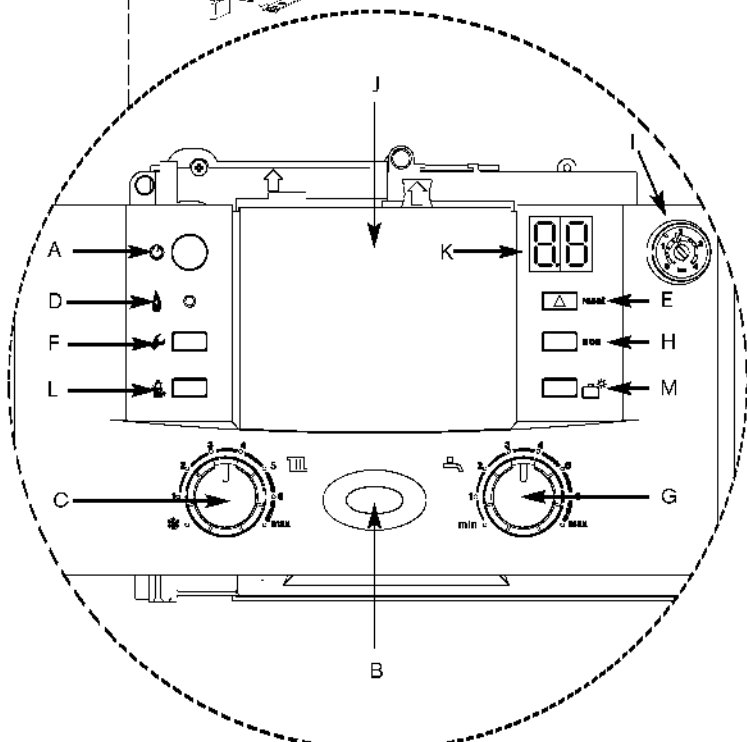
MEASURING THE INLET PRESSURE:

- ▶ Slacken the screw in the inlet pressure test point and connect a manometer.
 - ▶ Measure the pressure with the boiler running at maximum.
 - ▶ Check the gas supply working pressure at the gas valve inlet point:
 - N.G. minimum 18 mbar
 - L.P.G. 37 mbar
 - ▶ The gas rate should be measured at the gas meter after 10 minutes operation at maximum. See technical data section at the front of this manual.
 - ▶ Ensure inlet pressure is satisfactory with all other gas appliances working.
 - ▶ Replace controls cover. **NOTE:** This boiler is designed with a differential of 20°C across the heating system.

IMPORTANT: Do not continue commissioning until the correct gas inlet pressure is achieved.

- ▶ If pressure is satisfactory press the central heating boost button (L) again and the boiler will return to normal operation.
- If left in the central heating boost mode the control will return to normal operation after 15 minutes.
- ▶ Re-seal the screw in the gas inlet pressure test point.

COMMISSIONING



Inlet Test Nipple

- A - On/off button
- B - On/off and fault indicator (BLUE)
- C - Central heating temperature control
- D - Burner indicator (GREEN)
- E - Reset button
- F - Service button
- G - DHW temperature control (only in conjunction with optional diverter valve)
- H - ECO button (only in conjunction with optional diverter valve)
- I - System pressure gauge
- J - Cover or optional programmer
- K - Display
- L - Central heating boost button
- M - Holiday button (only in conjunction with optional diverter valve)

FINISHING COMMISSIONING

The boiler has been factory set, so there should be no need to adjust combustion settings.

REPLACE OUTER CASING:

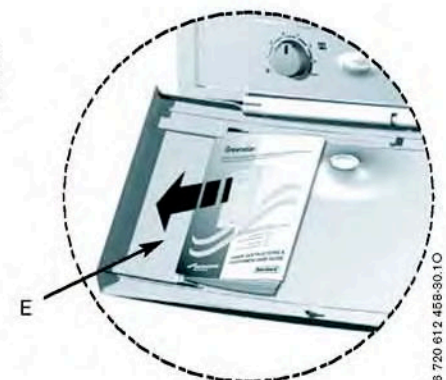
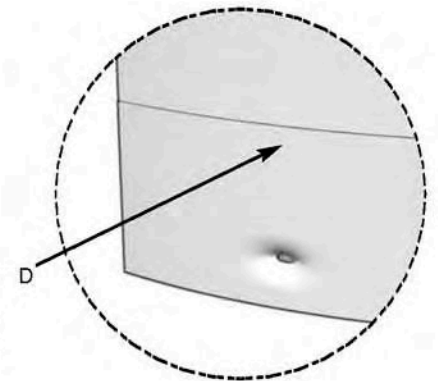
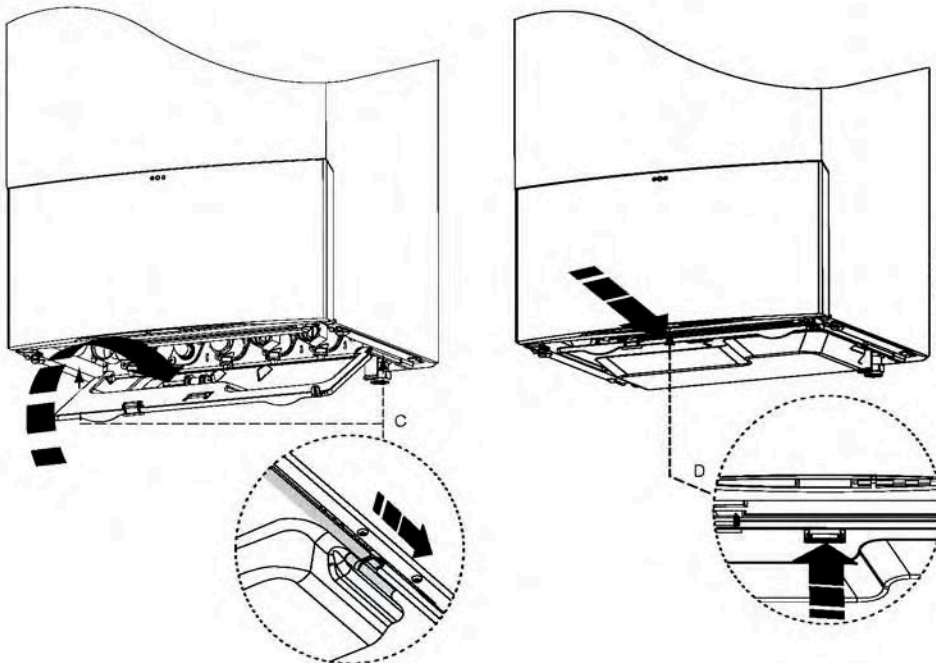
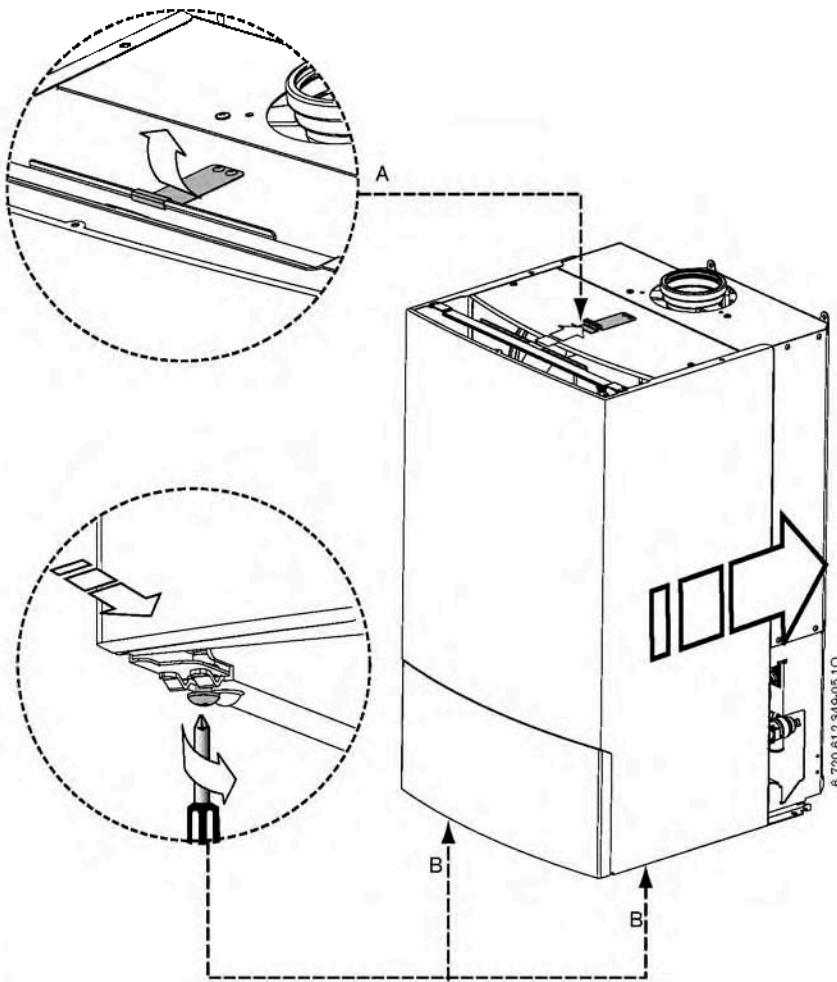
- 1 Replace outer casing making sure that the securing points are properly located.
 - ▶ Press the clip (A) downwards to secure casing on top.
 - ▶ Retighten bottom two screws (B).

INSTALLING BOTTOM PANEL:

- 2 The bottom panel slides onto two ledges (C) either side of the boiler frame.
 - ▶ Hold the panel up against the underside of the boiler and slide towards the rear until it is fully engaged.

HANDOVER:

- ▶ Complete the Benchmark check list.
- ▶ Open the fascia cover by gently pressing the centre top of the cover (D).
- ▶ Set up the controls and show the user how to operate all the controls shown in the User Guide.
- ▶ Place the user guide into the tray (E) on the inside of the fascia cover.
- ▶ If the appliance is unused and exposed to freezing conditions; shut off all the mains supplies and drain the system and boiler.



CAUTION: TURN OFF THE GAS SUPPLY AND ISOLATE THE MAINS SUPPLIES BEFORE STARTING ANY WORK AND OBSERVE ALL RELEVANT SAFETY PRECAUTIONS.

IMPORTANT: AFTER REPLACEMENT OF ANY COMPONENTS ALWAYS CHECK FOR GAS SOUNDNESS WHERE RELEVANT AND CARRY OUT FUNCTIONAL CHECKS AS DESCRIBED IN COMMISSIONING. ANY O-RING OR GASKET THAT APPEARS DAMAGED MUST BE REPLACED.

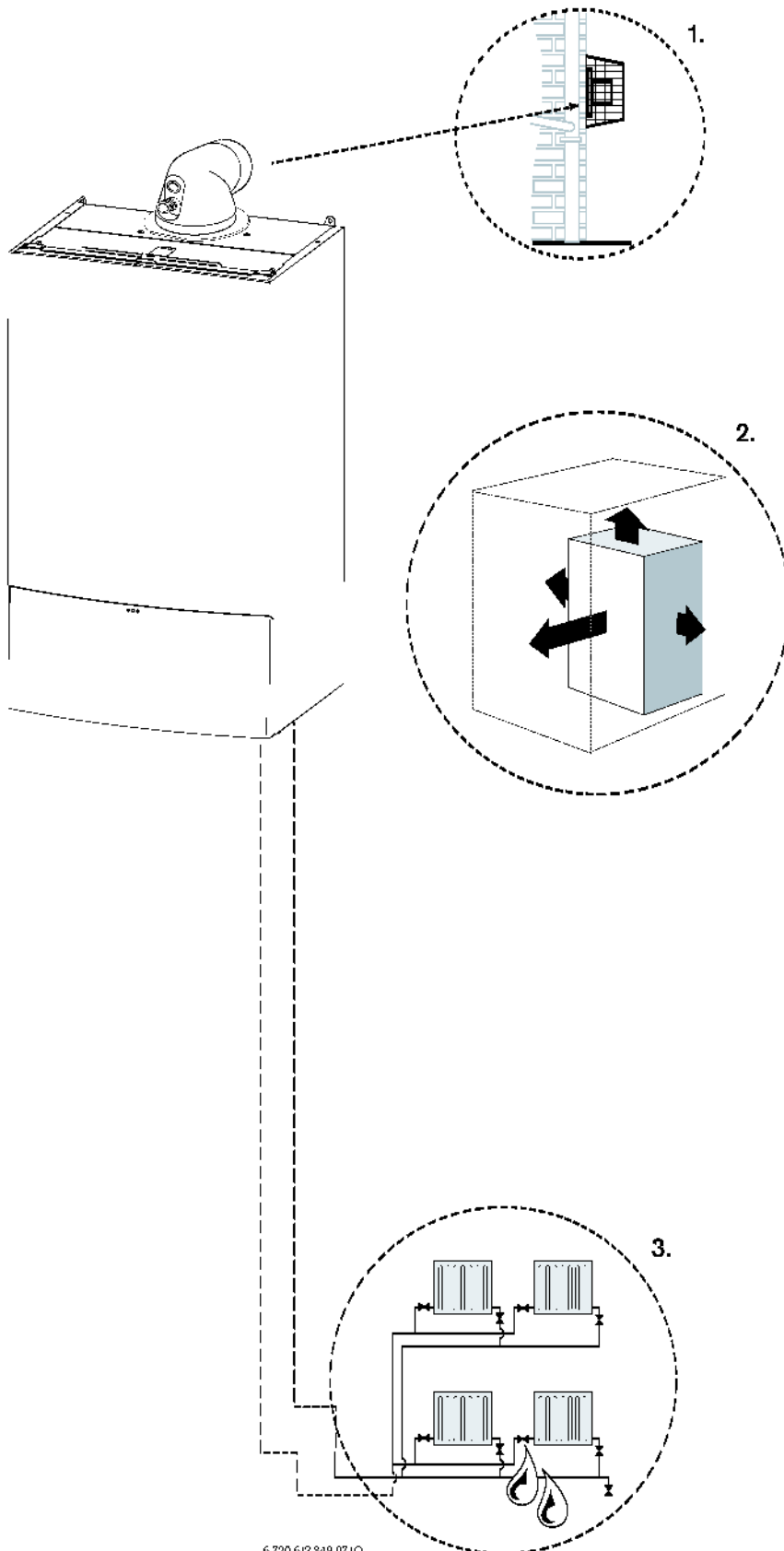
INSPECTION AND SERVICE

IMPORTANT: Any service work must be carried out by competent registered engineers such as British Gas or Corgi registered engineer.

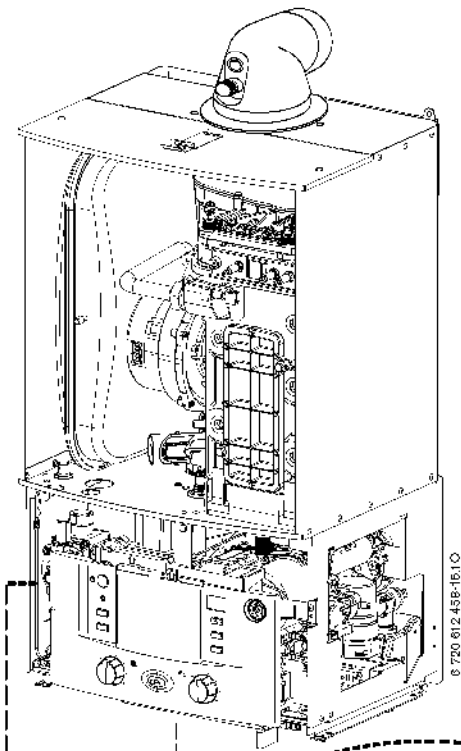
- To ensure the continued efficient operation of the appliance it must be checked at regular intervals.
- The frequency of servicing will depend upon the particular installation conditions and usage. However, an annual service is recommended.
- The extent of the service required by the appliance is determined by the operating condition of the appliance when tested by fully qualified engineers.

INSPECTION

1. Check that the terminal and the terminal guard, if fitted, are clear and undamaged.
2. If the appliance is in a compartment or cupboard check that the specified service space around the appliance is clear.
3. Check all the joints and connections in the system and remake any that show signs of leakage. Refill and re-pressurise if applicable as described in Commissioning.
 - ▶ Operate the appliance and take note of any irregularities. Call up the last fault stored by the Bosch Heatronic, Service Function .0. Refer to Fault Finding for rectification procedures.
4. Please consult Operational Procedures Part 11, Servicing Policy.



6 720 612 919 07.10



6 720 612 456-16.10

Setting Boiler to Maximum.

NOTE: When fitted with the optional diverter valve (not supplied) and running in central heating boost mode, the boiler will operate both central heating and hot water circuits. If fitted to an S or Y plan system, the system must only be run in central heating mode.

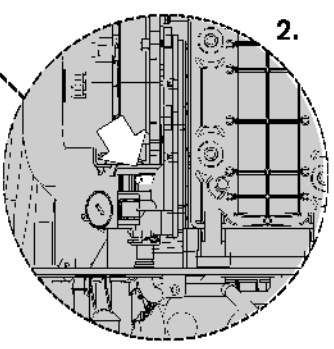
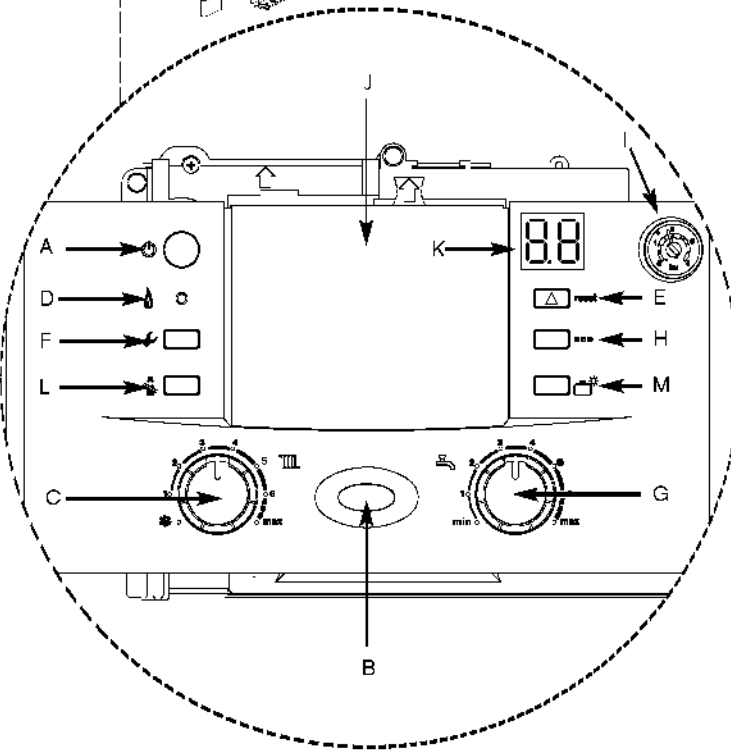
- A - On/off button
- B - On/off and fault indicator (BLUE)
- C - Central heating temperature control
- D - Burner indicator (GREEN)
- E - Reset button
- F - Service button
- G - DHW temperature control (only in conjunction with optional diverter valve)
- H - ECO button (only in conjunction with optional diverter valve)
- I - System pressure gauge
- J - Cover or optional text display with intelligent functionality
- K - Display
- L - Central heating boost button
- M - Holiday button (only in conjunction with optional diverter valve)

- 1 ▶ Press and HOLD central heating boost button (L) for 10 seconds and set Central Heating temperature to maximum.
 - The central heating boost button will illuminate continually.
 - The boiler will stay in this mode for 15 minutes unless the central heating boost button is pressed again.

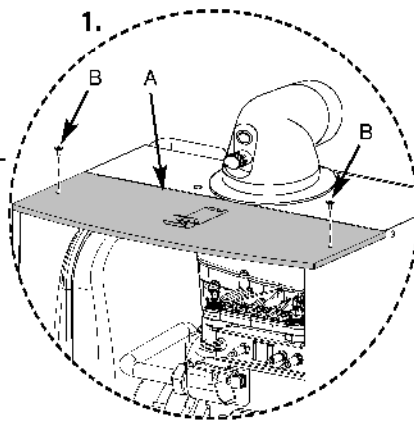
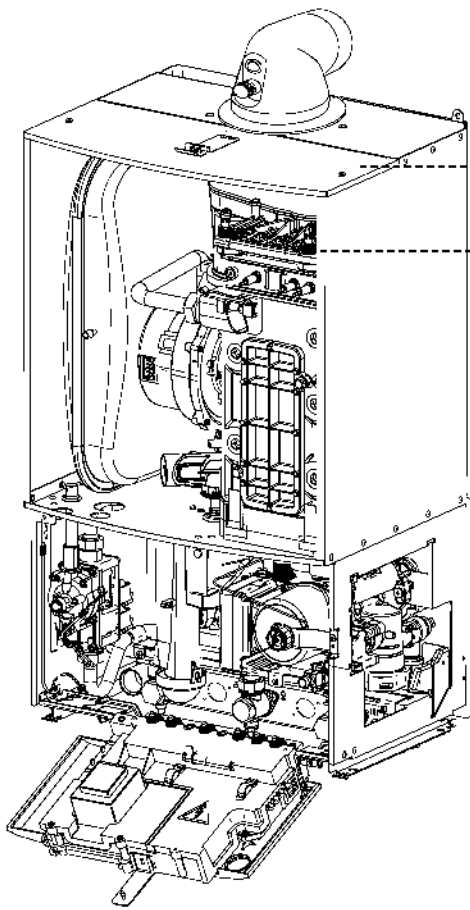
- 2 ▶ Pull the cover off and connect a manometer to the fan pressure test point.
 - ▶ After measurement replace test point cover.

Pressure will read negative and be greater than:
3.9 mbar

- Pressures measured below these figures will indicate that the heat exchanger will require cleaning.
- There is a special accessory kit available specifically designed for cleaning the heat exchanger. If required order 7 719 001 996.



SERVICING & SPARES



To Clean the Burner

- ▶ Remove cover panel (A) by removing the screws (B).
 - ▶ Check that the boiler is completely isolated from the gas supply.
- ▶ Remove the clips (C) and unscrew the two bolts (D).
 - ▶ Unscrew and remove the two hexagon screws (E) securing the fan.
 - ▶ Slacken fully the rear securing bolt (F).
 - ▶ Remove the burner cover plate (G).
- ▶ Remove the burner (H) and clean components. **Do not use a wire brush.**

To Check the Diaphragm in Burner Cover

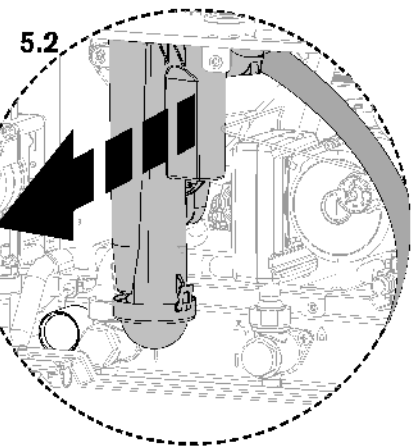
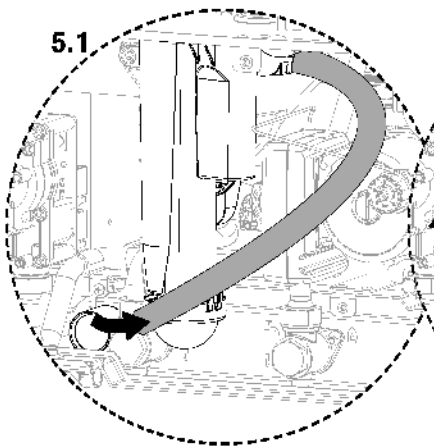
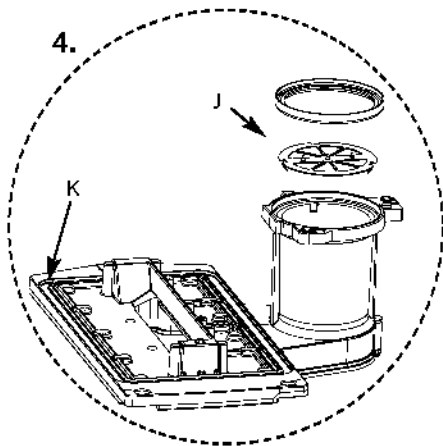
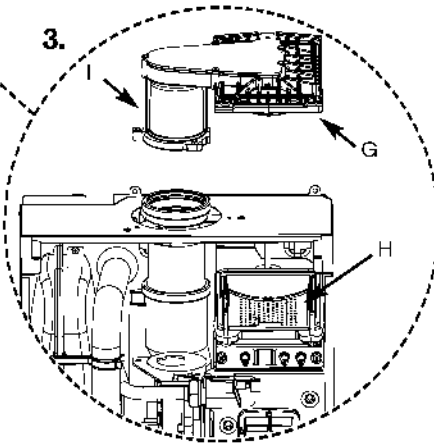
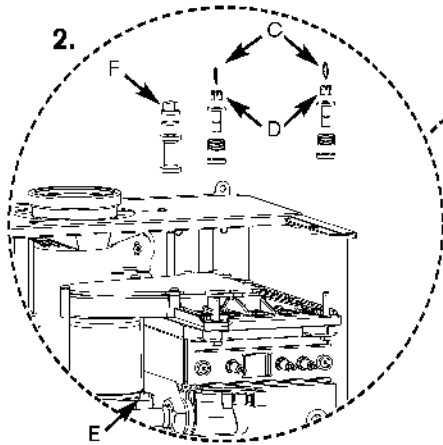
- ▶ Carefully withdraw diaphragm (J) from fan intake tube and check for soiling and splits.
 - ▶ Carefully refit diaphragm (J) the correct way round into the fan intake tube.

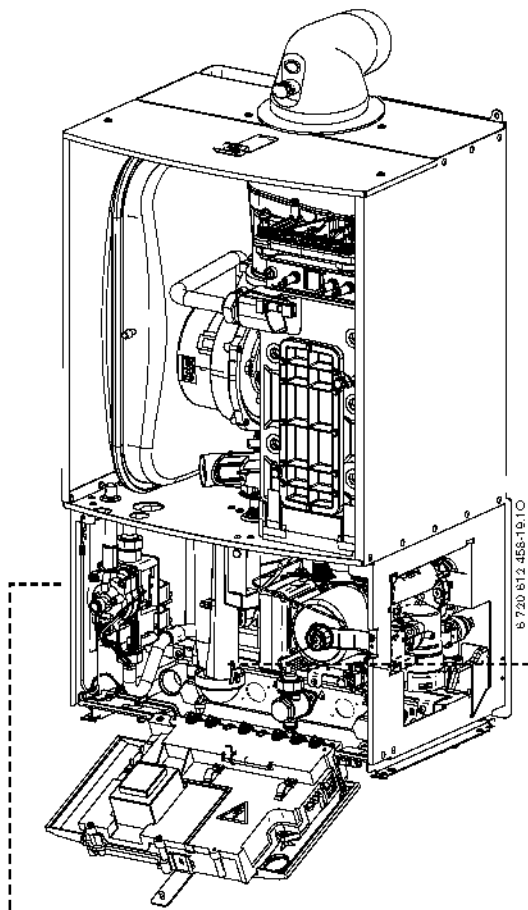
Note: The flaps of the diaphragm (J) must open upwards.

 - ▶ Re-assemble burner in reverse order using a new seal (K).
 - ▶ Adjust gas/air ratio. Refer to section "Setting the gas/air ratio".

To Clean the Condensate Trap

- ▶ Pull condensate pipe out of the adapter.
- ▶ Remove trap from boiler.
 - ▶ Clean trap and check that the connection to the heat exchanger is clear.
 - ▶ Fill the condensate trap with approximately 1/4 litre of water and refit in reverse order.





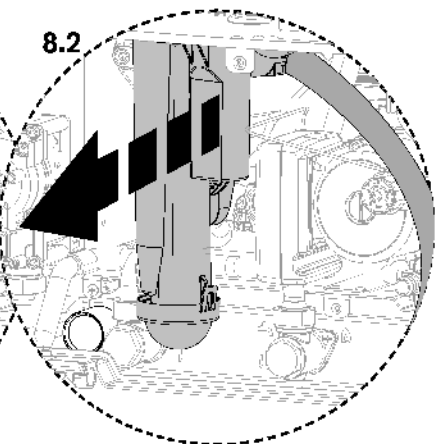
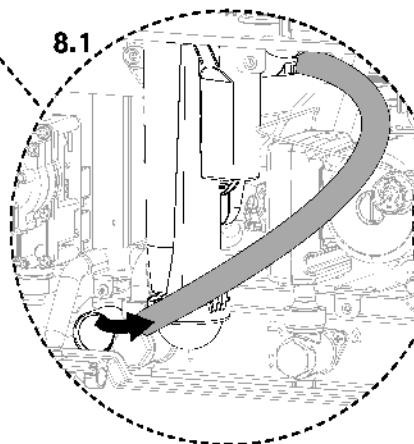
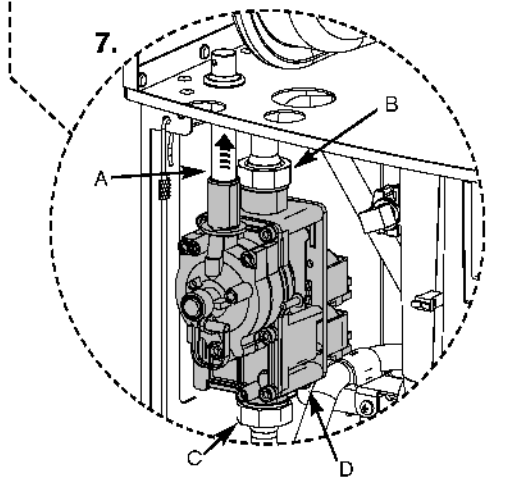
7. Gas valve

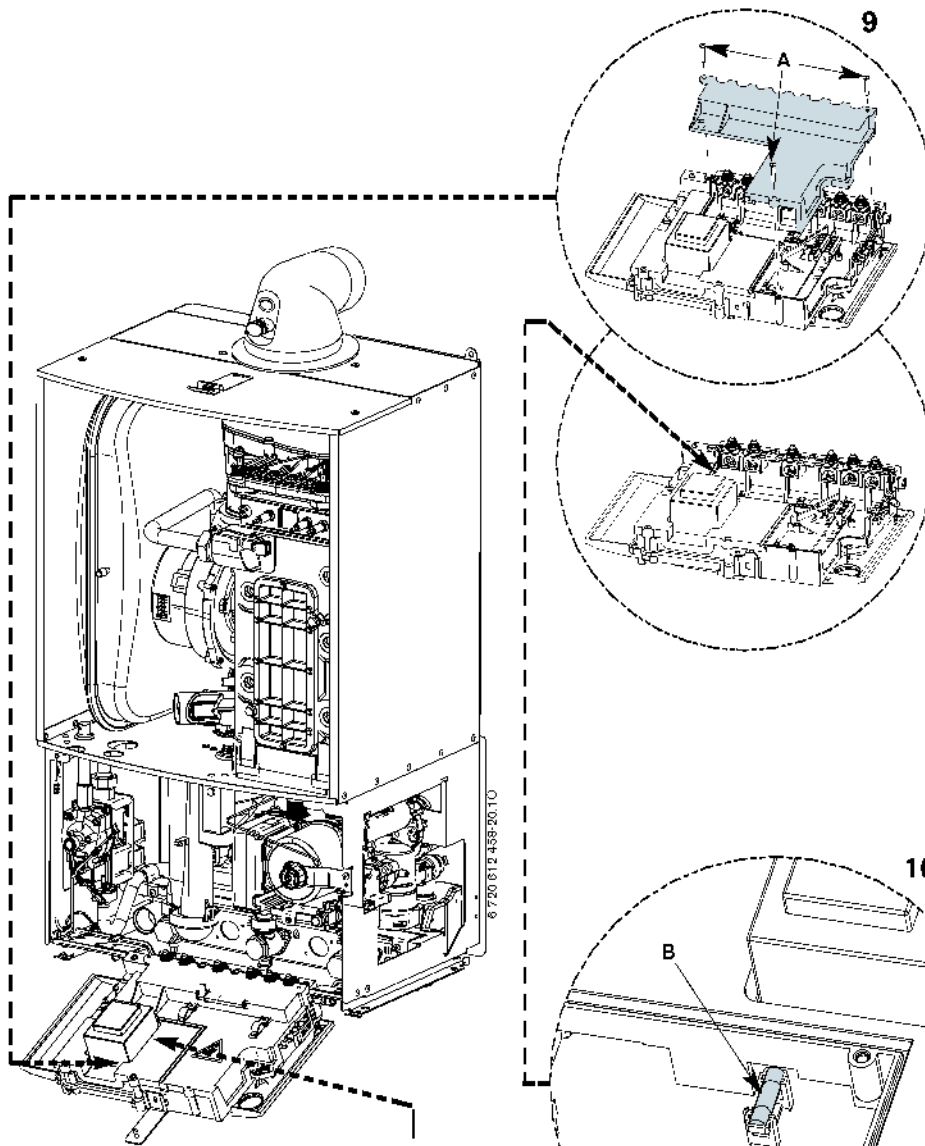
- ▶ Isolate gas supply at boiler gas cock.
- ▶ Push air inlet tube (A) upwards.
- 7.1 ▶ Undo top gas connection (B) to gas valve.
- 7.1 ▶ Undo bottom gas connection (C) to gas valve.
- 7.2 ▶ Undo two securing screws (D) on the underside of casing.
- ▶ Pull valve up and forward out of boiler.
- ▶ Disconnect electrical connections.
- ▶ Replace valve with new seals and check for gas soundness.

Note: The valve will require setting, follow procedure "Setting the gas/air ratio" in the gas conversion section.

8. Siphon

- 8.1 ▶ Pull condensate pipe out of the adapter.
- 8.2 ▶ Remove trap from boiler.
- ▶ Clean trap and check that the connection to the heat exchanger is clear.
- ▶ Fill the condensate trap with approximately 1/4 litre of water and refit in reverse order.





9. Access to boiler control components

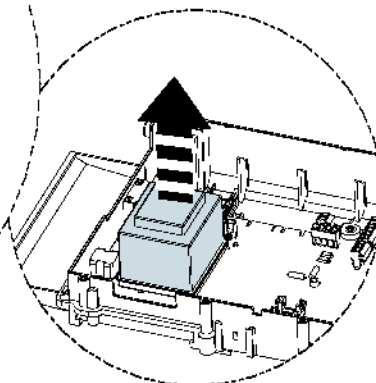
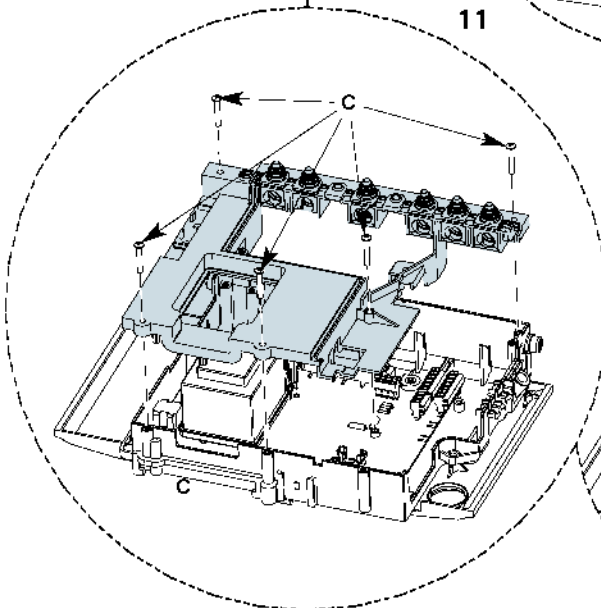
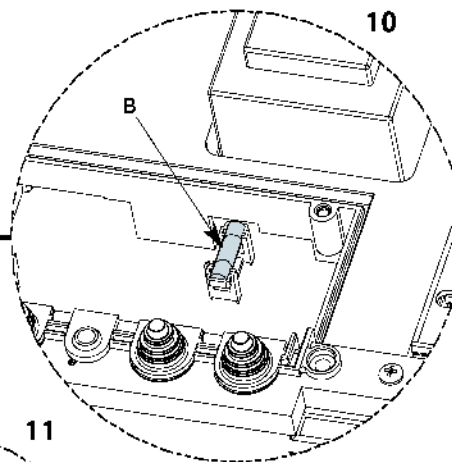
- ▶ Remove 3 screws (A) and remove cover from control.

10. PCB fuse

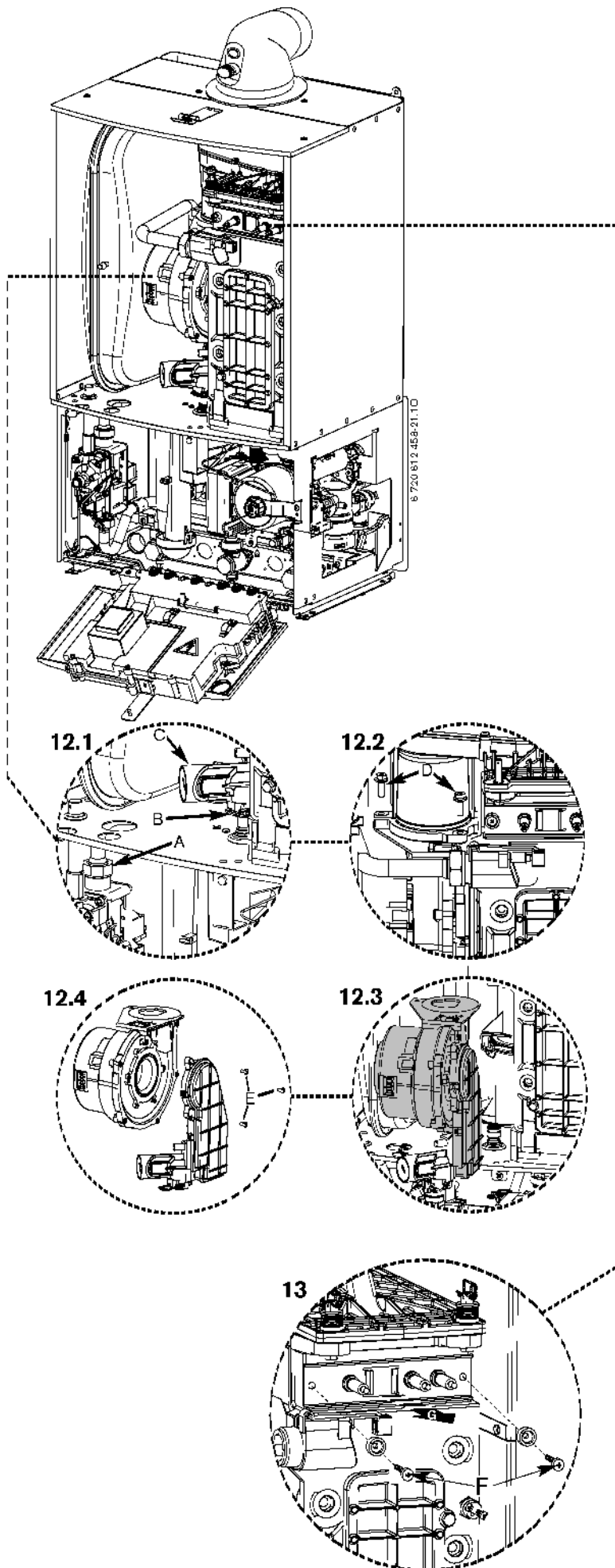
- ▶ Remove fuse (B) from the PCB and replace.
- ▶ There is a spare fuse clipped into the cover.

11. Transformer / PCB

- ▶ Disconnect all electrical connections from the control.
- ▶ Remove 5 screws (C) retaining the rear panel of the control and remove panel.



IMPORTANT: AFTER REASSEMBLY THE COMBUSTION MUST BE CHECKED USING THE PROCEDURE IN THE SECTION "SETTING THE GAS AIR RATIO". MEASUREMENT AND SETTING (IF NECESSARY) OF THE GAS RATIO MUST NOT BE ATTEMPTED UNLESS THE PERSON IS EQUIPPED WITH A COMBUSTION ANALYSER CONFORMING TO BS 7927 AND IS COMPETENT IN ITS USE.



12. Fan assembly

- ▶ Remove electrical connector from fan.
 - ▶ Remove condensate trap (see page 39).
- 12.1 ▶ Undo the union connection (A).
- ▶ Remove wire clip (B) from air/gas adjustment assembly (C) then pull gas pipe down.
- 12.2 ▶ Unscrew two screws (D).
- 12.3 ▶ Remove fan from boiler.
- 12.4 ▶ Remove three screws retaining the air/gas adjustment assembly (E).
- ▶ Reassemble with new fan assuring that seals are correctly fitted.

13. Electrode assembly

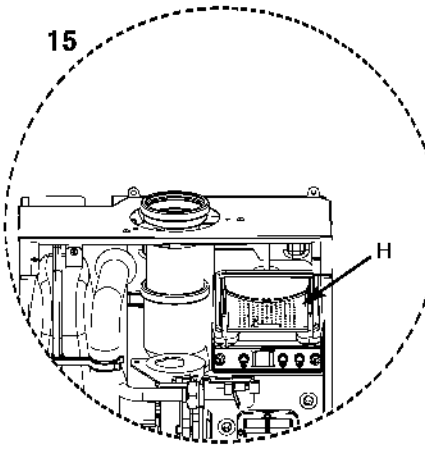
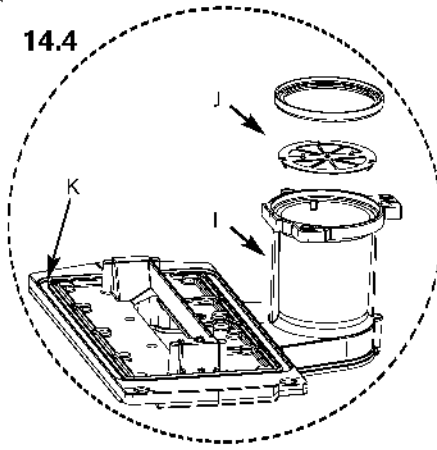
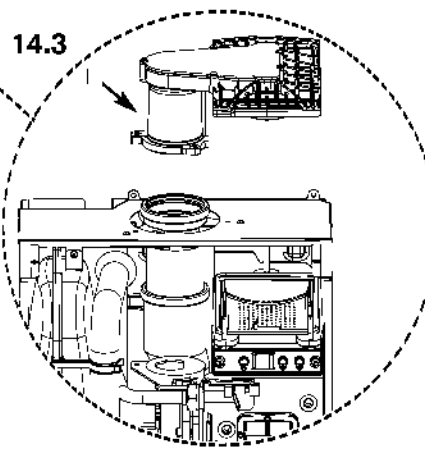
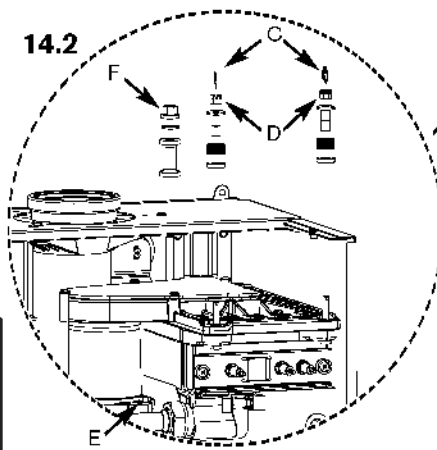
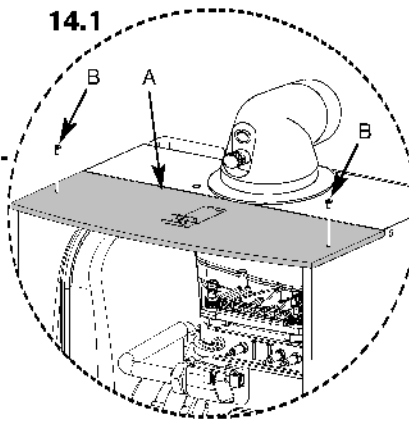
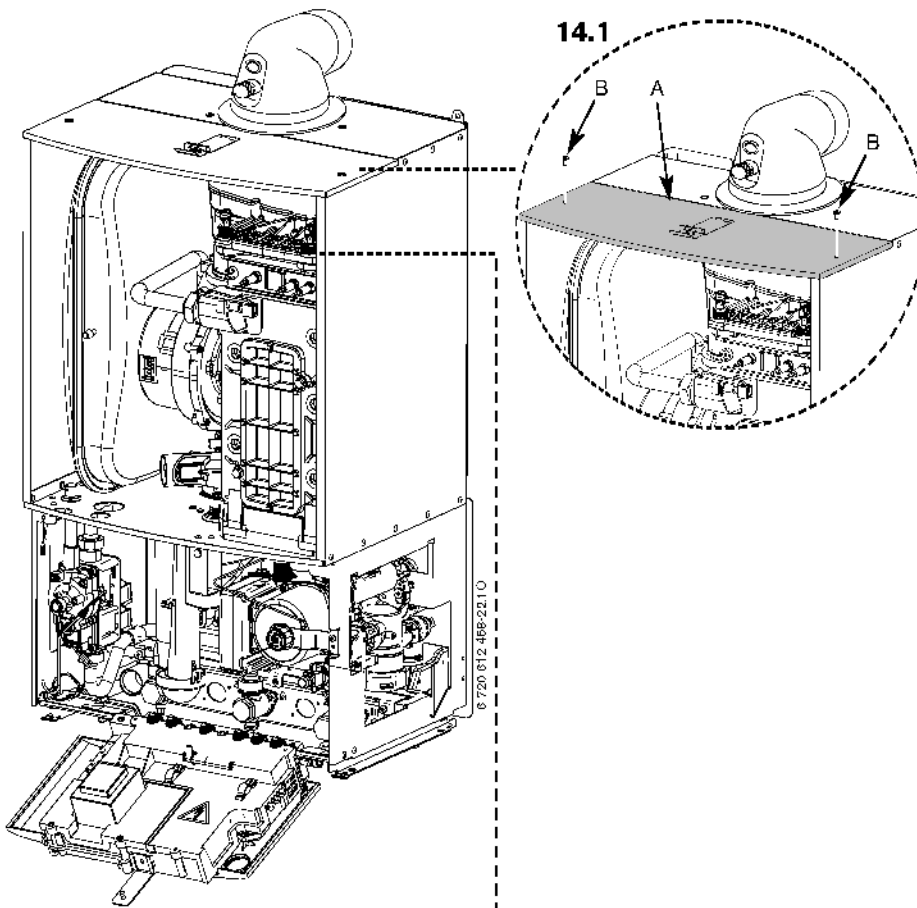
- ▶ Disconnect spark electrodes and flame sensor connection.
- ▶ Remove two screws (F).
- ▶ Remove spark/flame electrode assembly (G) from heat exchanger.

14. Air/gas manifold

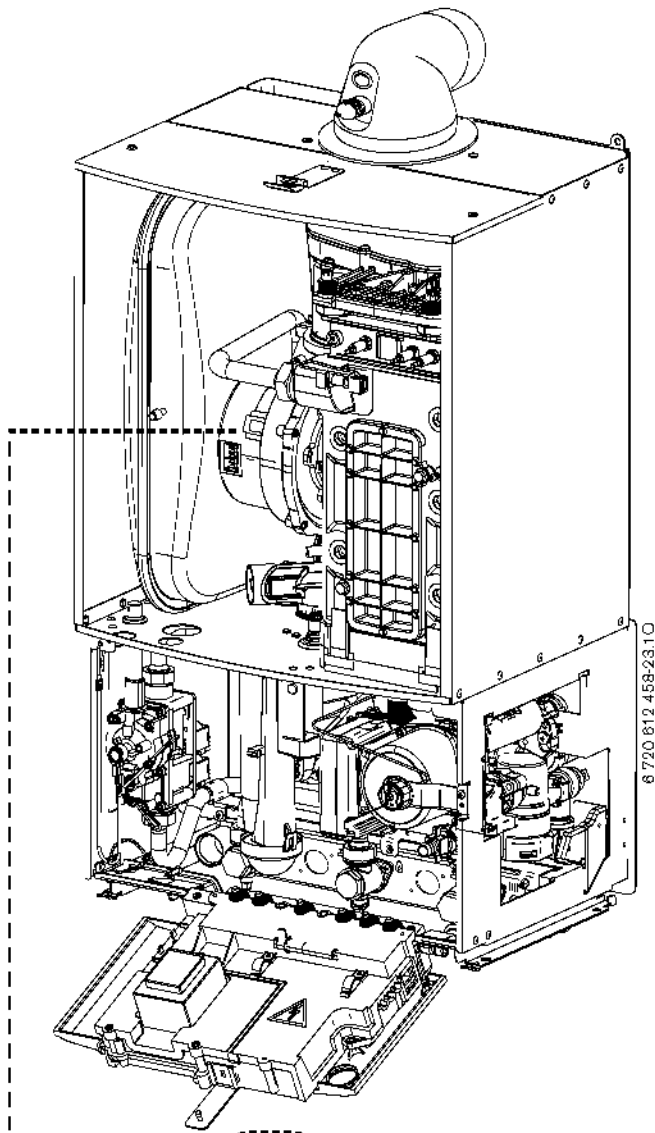
- 14.1** ▶ Remove cover panel (A) by removing the screws (B).
 ▶ Check that the boiler is completely isolated from the gas supply.
- 14.2** ▶ Remove the clips (C) and unscrew the two bolts (D).
 ▶ Unscrew and remove the two hexagon screws (E) securing the fan.
 ▶ Slacken fully the rear securing bolt (F).
- 14.3** ▶ Remove air/gas manifold (I)
- 14.4** ▶ Open air/gas manifold (I).
 ▶ Carefully withdraw diaphragm (J) from fan intake tube and check for soiling and splits.

15. Burner

- ▶ Remove the burner (H).
 ▶ Replace new burner in correct position.
 ▶ Ensure that a new seal (K) is used.

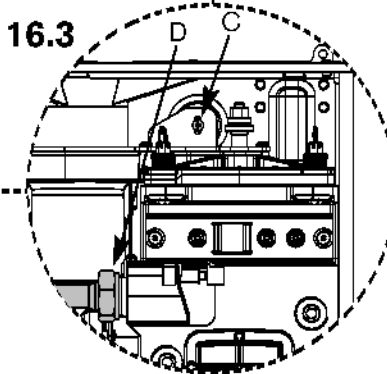
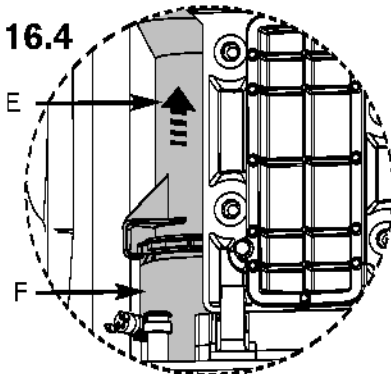
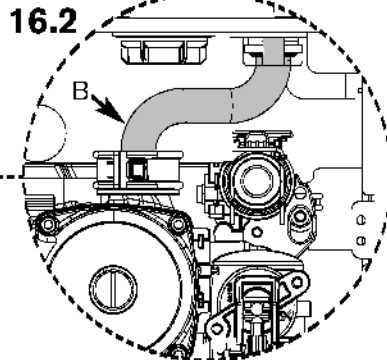
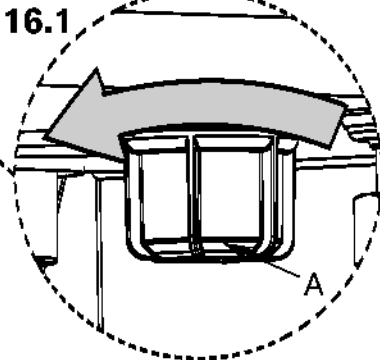


SERVICING & SPARES

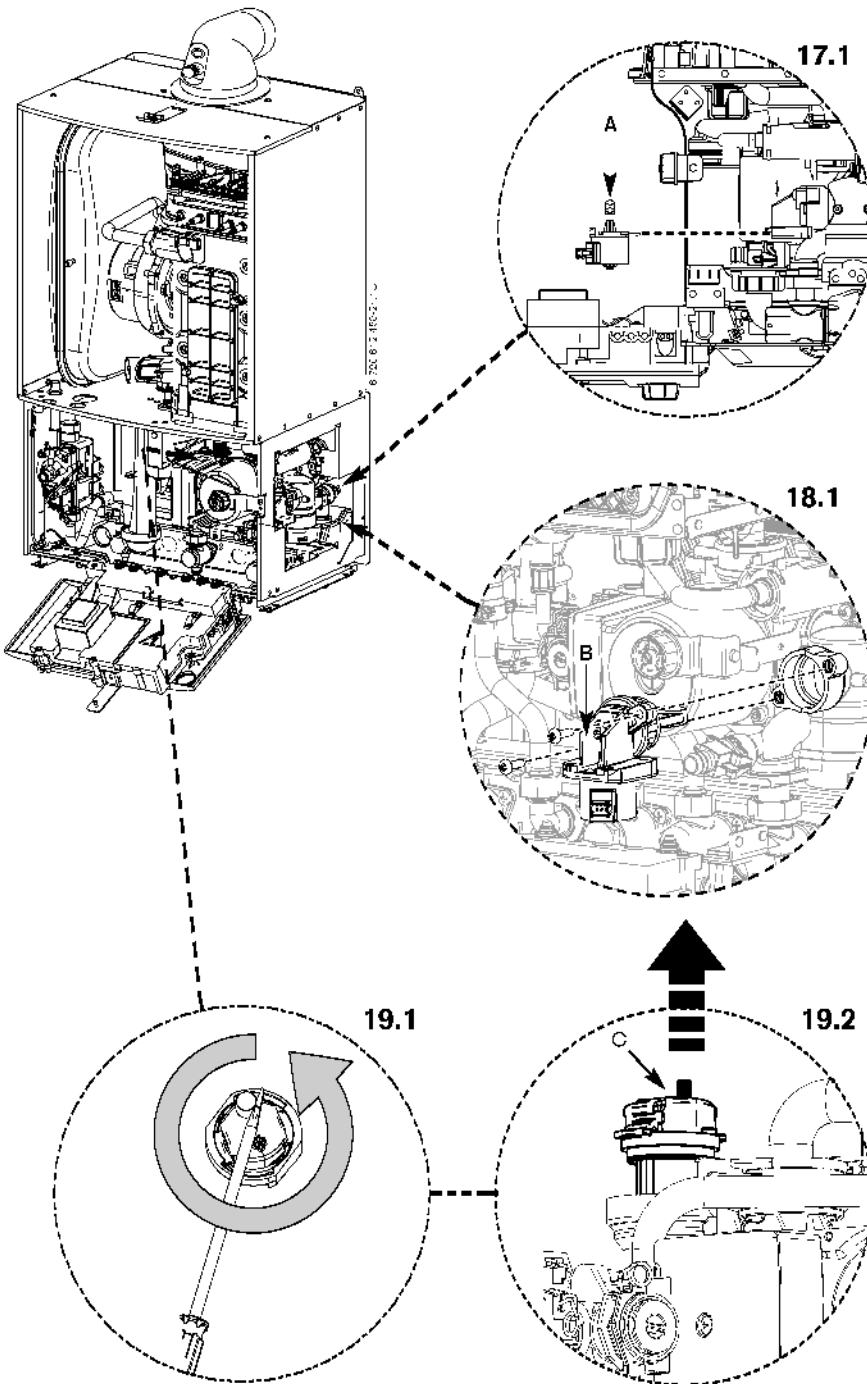


16. Heat exchanger

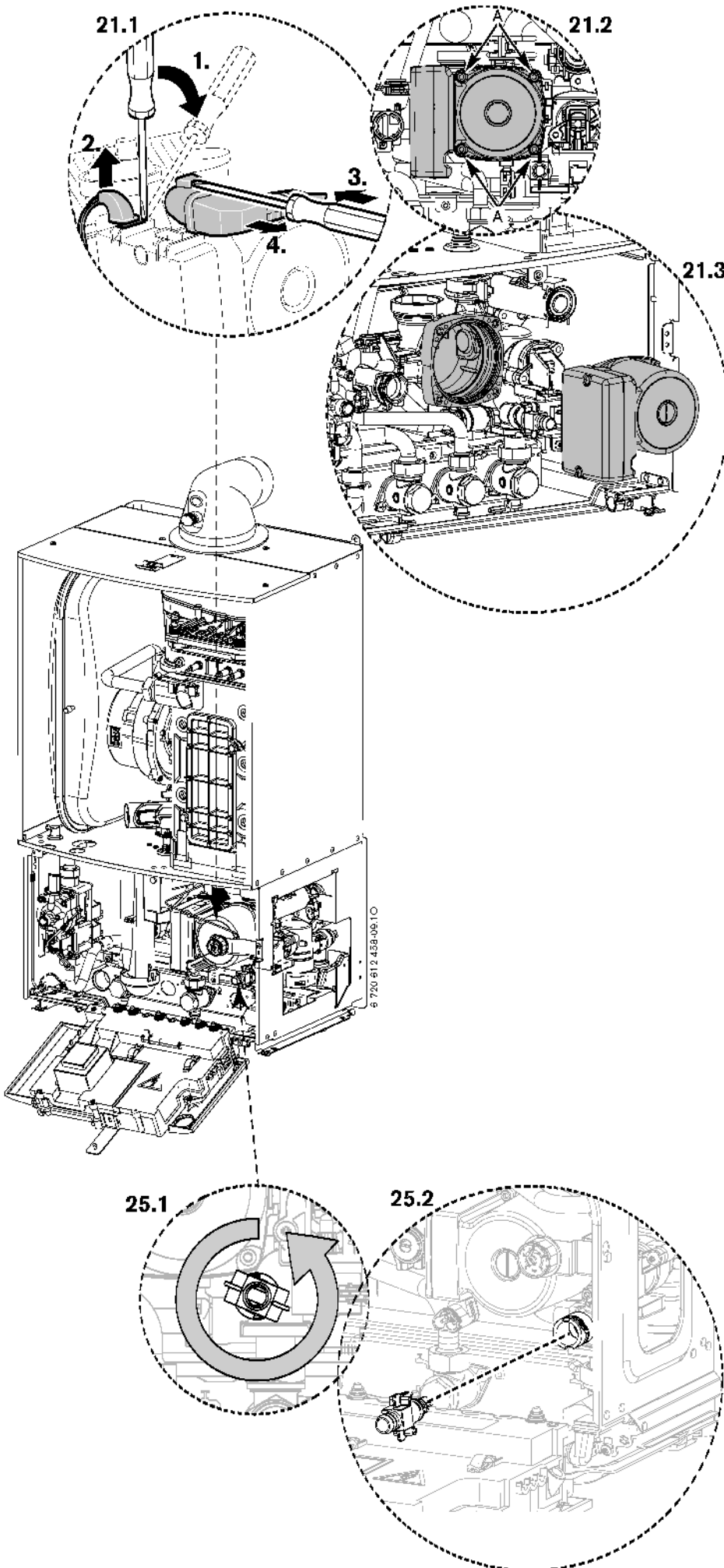
- ▶ Isolate flow and return valves and drain the boiler.
- ▶ Remove condensate trap (see page 39).
- ▶ Remove fan assembly (see page 43).
- 16.1** ▶ Remove plastic nut (A) from the base of the inner casing.
- 16.2** ▶ Remove return pipe (B) at the bottom of heat exchanger.
- 16.3** ▶ Remove screw at the top of the heat exchanger (C).
- ▶ Unscrew the flow pipe (D).
- 16.4** ▶ Undo flue connection (E) from sump (F).
- ▶ Pull flue pipe up.
- ▶ Remove the heat exchanger.



SERVICING & SPARES



- 17. Diverter valve motor (if fitted)**
 There is no need to drain the appliance.
 ▶ Disconnect the electrical connector from the diverter valve motor.
- 17.1** ▶ Pull the motor assembly (A) towards you. The assembly will slide free from the valve.
 ▶ To refit, follow the above in reverse.
Note: In case of problems when refitting the motor: Connect the electrical connector to the motor and switch the appliance on. Then the motor goes to the middle position and you can refit it without difficulty.
- 18. Diverter valve**
 ▶ Ensure the appliance has been fully drained.
 ▶ Disconnect the electrical connector from the diverter valve motor.
 ▶ Undo the two screws holding the valve to the plastic housing.
- 18.1** ▶ Withdraw the valve (B) and clean the valve chamber if necessary.
 ▶ To refit, follow the above in reverse. Ensure any seals that have been disturbed are renewed.
- 19. Auto air vent**
 ▶ Ensure the appliance has been fully drained.
- 19.1** ▶ Use a screwdriver or similar to rotate the air vent anticlockwise.
- 19.2** ▶ Lift the air vent (C) out of the housing and remove.
 ▶ To refit, follow the above in reverse.



21. Pump head

▶ Ensure the appliance has been fully drained.

21.1 ▶ Disconnect the electrical connections from the pump following steps 1 to 4.

21.2 ▶ Remove the four Allen bolts (A) securing the pump at each corner.

21.3 ▶ Gently pull the pump towards you and remove.

▶ To refit, follow the above in reverse.

22. Pressure gauge

▶ Ensure the appliance has been fully drained.

▶ Withdraw the spring clip from the pressure sensing head housing.

▶ Undo the nut on the rear of the pressure gauge.

▶ Remove the pressure sensing head and pressure gauge capillary from the housing.

▶ To refit, follow the above in reverse.

DO NOT omit the washer from the capillary when fitting a replacement gauge.

25. Drain tap

▶ Ensure the appliance has been fully drained.

25.1 ▶ Rotate the drain tap fully anticlockwise.

25.2 ▶ Withdraw the drain tap from its housing.

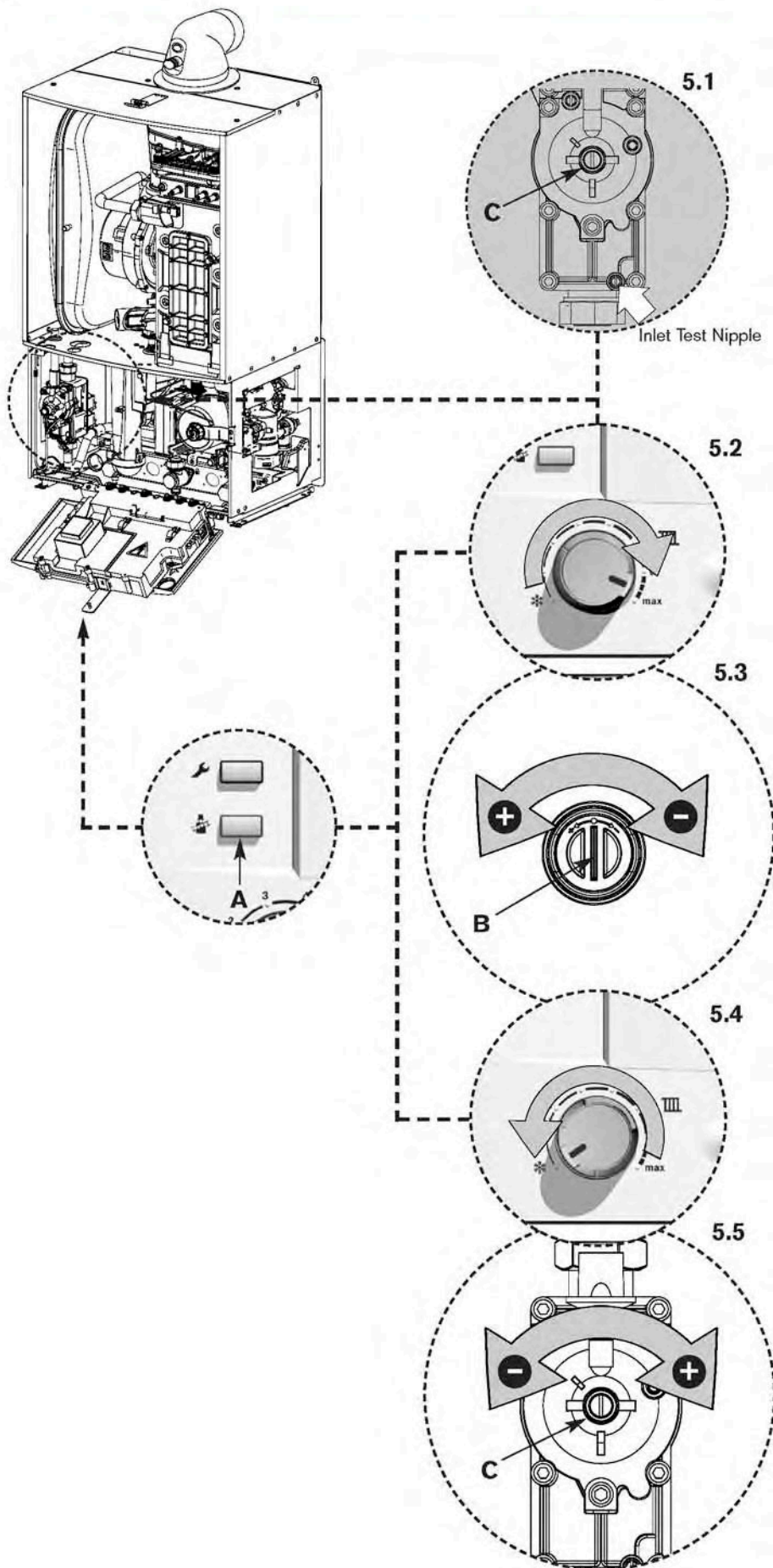
▶ To refit, follow the above in reverse.

Ensure any seals that have been disturbed are renewed.

SERVICING & SPARES

THE SETTING OF THE GAS RATIO MUST BE CARRIED OUT BY A COMPETENT PERSON. SETTING OF THE GAS RATIO MUST **NOT** BE ATTEMPTED UNLESS THE PERSON CARRYING OUT THE CONVERSION IS EQUIPPED WITH A COMBUSTION ANALYSER CONFORMING TO BS 7927 AND IS COMPETENT IN ITS USE.

SETTING THE GAS/AIR RATIO



5. Setting the CO₂

NOTE: When fitted with the optional diverter valve (not supplied) and running in central heating boost mode, the boiler will operate both central heating and hot water circuits. This is to allow sufficient time for the setting procedure.

If fitted to an S or Y plan system, the system must only be run in central heating mode.

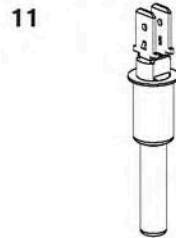
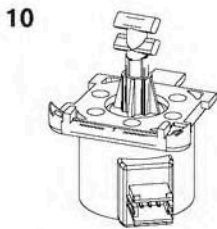
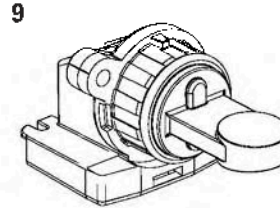
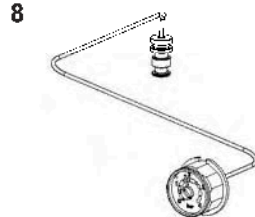
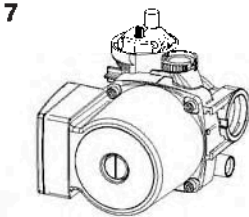
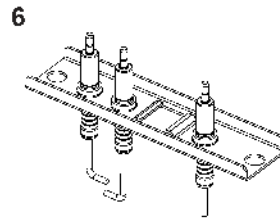
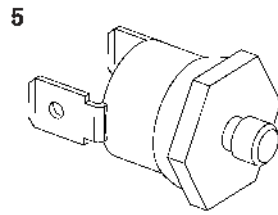
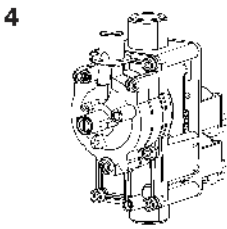
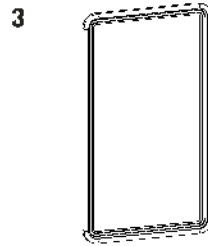
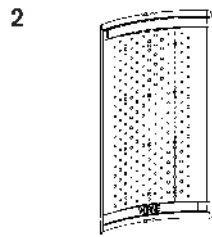
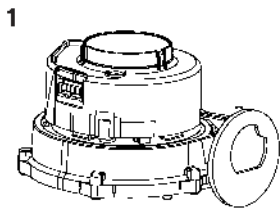
- 5.1 ▶ Connect manometer to inlet pressure point on the gas valve.
 - ▶ To adjust the CO₂ it will be necessary to first operate the boiler at maximum output.
 - ▶ Press and hold down the central heating boost button (A) for 10 seconds until illuminated.
- 5.2 ▶ Turn central heating control to maximum; the boiler will then go to maximum output.

Note: The control will resume normal operation after 15 minutes or if the central heating boost button is pressed for over a second.
- 5.3 ▶ Using a flat blade screwdriver set the CO₂ via adjuster (B) using table below.

Note: CO₂ should be measured 10 minutes after firing the appliance.

Gas type	CO ₂ setting maximum	CO ₂ setting minimum
Natural gas	9.6 % ±0.2	9.0 % ±0.2
LPG	11.5 % ±0.2	10.5 % ±0.2

- 5.4 ▶ Check CO is less than 200 ppm.
 - ▶ Measure the inlet pressure; it should be a minimum of 18 mbar for natural gas and 37 mbar for LPG.
- 5.4 ▶ Set the central heating control to minimum. This will make the boiler go to minimum power.
- 5.5 ▶ Measure the CO₂; it should now be at the figure for minimum output. If not adjust (C) on the gas valve until correct.
 - ▶ Return to maximum and re-check the CO₂. If correct press and hold down the central heating boost button for 2 seconds; the button will cease to be illuminated and the blue power indicator will be permanently illuminated.
 - ▶ Remove manometer and re-seal inlet pressure point on gas valve.
 - ▶ Fit new plastic sealing cover on to outlet adjuster (B).
 - ▶ Fit white cover over valve adjuster (C) and secure with black security tag.
 - ▶ Remove red arrow from data plate and fit new one in correct position for gas type.
 - ▶ Re-assemble and refit boiler case.
 - ▶ Re-connect mains electrical supply and check boiler operation as stated in the commissioning section.
 - ▶ Fit new label from kit over existing label on the appliance bottom panel.



SHORT PARTS LIST

1 Fan	Part No. 8 717 204 453 0
	GC No. H26 536
2 Burner	Part No. 8 718 006 658 0
	GC No. E27 200
3 Burner skin seal	Part No. 8 711 004 168 0
	GC No. E27 201
4 Gas valve	Part No. 8 716 107 053 0
	GC No. H26 539
5 Temperature limit sensor	Part No. 8 722 963 858 0
	GC No. H08 291
6 Electrodes	Part No. 8 718 107 089 0
	GC No. H22 458
7 Pump assembly	Part No. 8 716 106 354 0
	GC No. H22 463
8 Pressure gauge	Part No. 8 717 208 107 0
	GC No. H02 528
9 Diverter valve assembly	Part No. 8 716 106 845 0
	GC No. H02 533
10 Diverter valve motor	Part No. 8 716 106 847 0
	GC No. H02 534
11 Control sensor - primary	Part No. 8 714 500 087 0
	GC No. E74 536
12 Service booklet	Part No. 6 720 612 361 0
	GC No. TO BE CONFIRMED

L.P.G. CONVERSION

ISOLATE MAINS ELECTRICAL SUPPLY AND REMOVE OUTER CASE AS SHOWN IN THE INSTALLATION, COMMISSIONING & SERVICING INSTRUCTIONS

THE CONVERSION MUST BE CARRIED OUT BY A COMPETENT PERSON. IT MUST **NOT** BE ATTEMPTED UNLESS THE PERSON CARRYING OUT THE CONVERSION IS EQUIPPED WITH A COMBUSTION ANALYSER CONFORMING TO BS 7927 AND IS COMPETENT IN ITS USE.

Important: The appliance shall not be installed into a room or internal space below ground level when it is intended for use with LPG (propane - G31). This does not preclude the installation into a room or space which is a basement on one side of the building but open to ground on the opposite side.

Installation Regulations

In addition to those specified in the main booklet the following standard applies when converting to an LPG appliance: **BS 5842 Domestic Propane Gas Burning Installations.**

All conversions will require the air gas ratio to be set correctly for the gas used. The procedure for setting the air gas ratio is at the rear of these instructions.

1. Moving boiler control to service position

- ▶ Remove boiler case, as described on page 36.

- 1.1▶ Remove screw (X) from retaining bracket.
- 1.2▶ Lower control panel into service position.

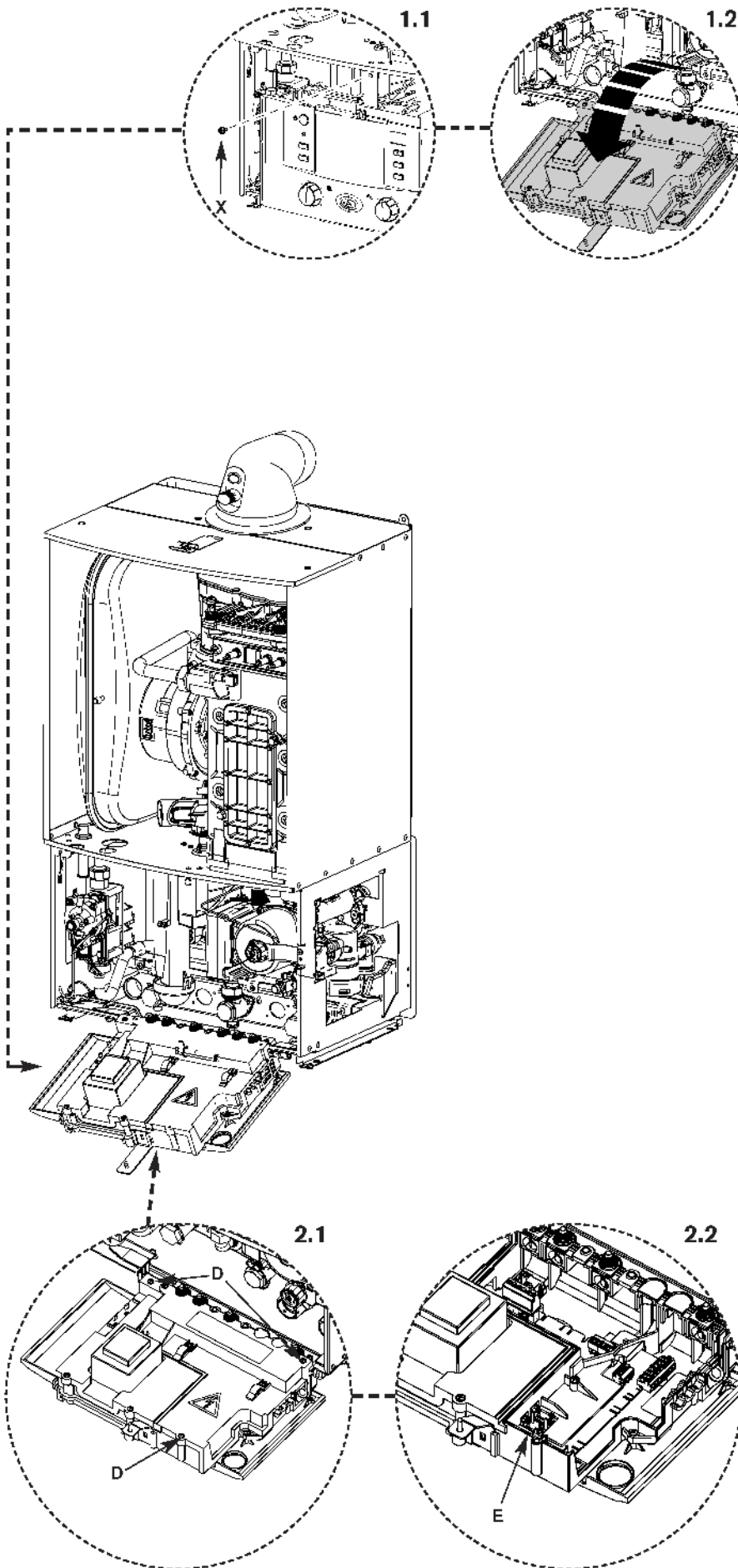
2. Code plug

- 2.1▶ Remove 3 screws (D) retaining plastic cover at rear of control box and remove.
- 2.2▶ Replace code plug (E) with new one supplied with conversion kit.

Gas type	Code plug No.	Diverter valve installed
Natural Gas	1018	No
LPG	1019	No
Natural Gas	1002	Yes
LPG	1003	Yes

- ▶ Replace plastic cover.
- ▶ Place control in normal position and secure with screw.

THE GAS / AIR RATIO MUST BE RESET AFTER CONVERSION. THE PROCEDURE CAN BE FOUND IN THE REPLACEMENT PARTS SECTION OF THIS MANUAL.



NOTE: This fault finding information is for guidance only. Worcester Bosch cannot be held responsible for costs incurred by persons not deemed to be competent.

The electronic control system for this boiler incorporates a blue central indicator. This normally confirms the permanent mains supply but, by flashing during a fault, provides a guide to the cause as listed.

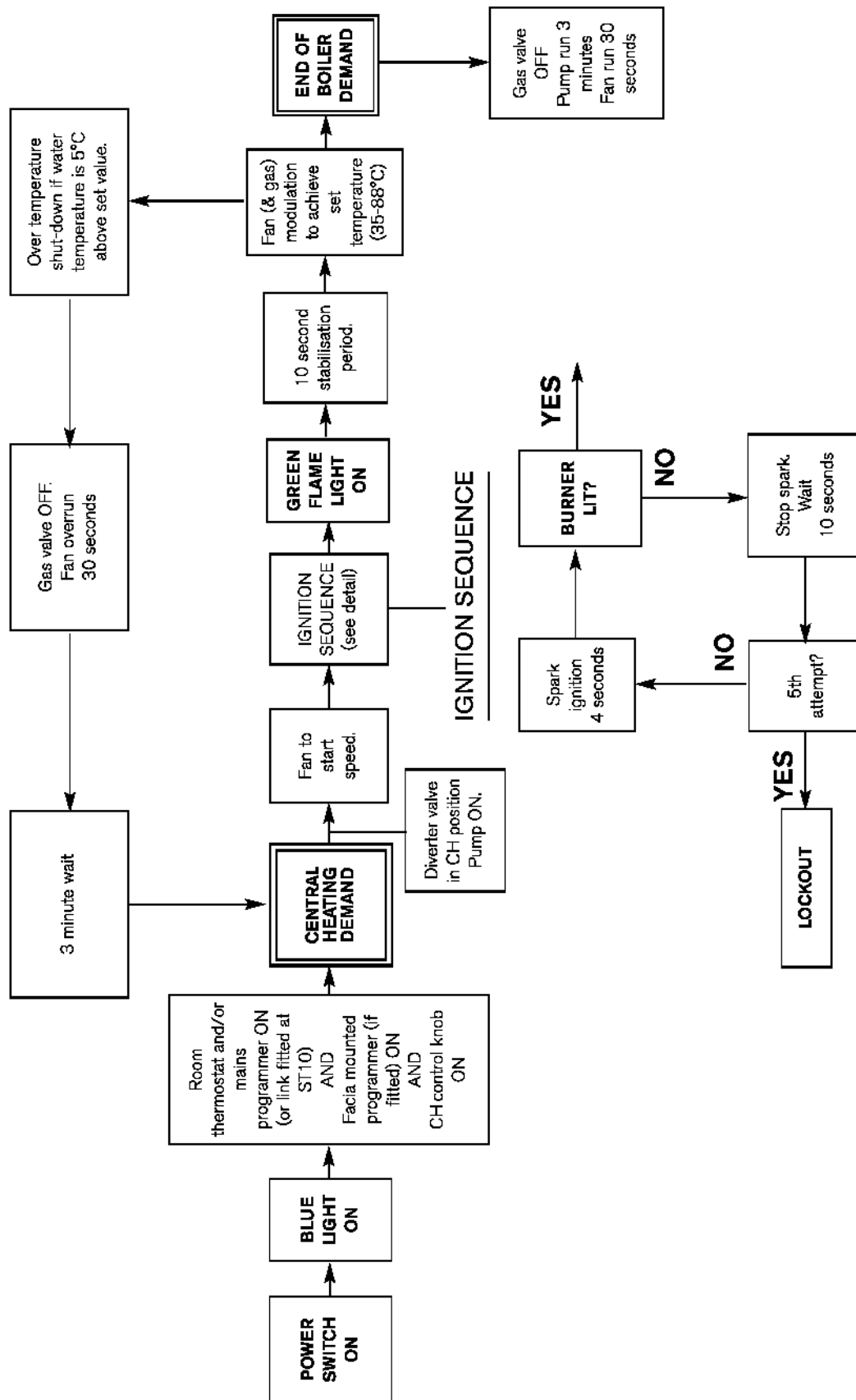
This fault finding system assumes that the appliance has been operating normally until the time of failure (i.e. not a first installation error).

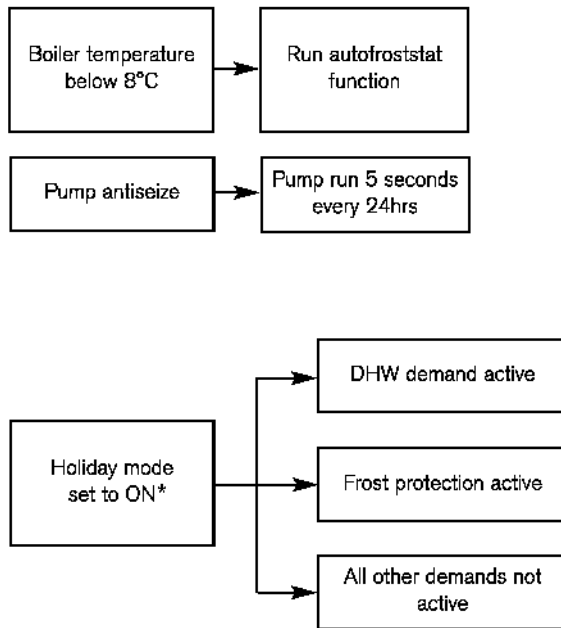
PRELIMINARY CHECKS: Preliminary electrical system checks are the first electrical checks to be carried out during a fault-finding procedure. On completion of the Service/Fault-Finding task which has required the breaking and remaking of electrical connections, check (a) EARTH CONTINUITY, (b) SHORT CIRCUIT CHECK, (c) POLARITY and (d) RESISTANCE TO EARTH.

An optional text display is available which gives a text description of the service functions of the boiler

Display code	Description	Remedy
A7	Hot water NTC sensor defective.	Check hot water NTC sensor and connecting lead for circuit breaks/short circuits.
A8	Break in communication to TD200 or/and RT10.	Check electrical connections.
b1	Code plug not detected.	Insert code plug correctly, test and replace if necessary.
C6	Fan speed too low.	Check fan lead and connector, and fan; replace as necessary.
E2	CH flow NTC sensor defective.	Check CH flow NTC sensor and connecting lead.
E9	Safety temp. limiter in CH flow has tripped.	Check system pressure, check safety temp. limiters, check pump operation, check fuse on pcb, bleed appliance.
EA	Flame not detected.	Is gas cock turned on? Check gas supply pressure, power supply, igniter electrode and lead, ionisation sensing electrode and lead, flue duct and CO ₂ level.
F0	Internal error.	Check electrical connector contacts, programmer interface module ignition leads are not loose; replace pcb if necessary.
F7	Flame detected even though appliance switched off.	Check electrode assembly, dry pcb. Flue clear?
FA	Flame detected after gas shut off.	Check gas valve and wiring to gas valve. Clean condensation trap and check electrode assembly. Flue clear?
Fd	Reset button pressed by mistake.	Press reset button again.

More detailed fault finding procedures are described in the Service booklet for the Engineer number 6 720 612 361.





* The holiday mode is available only with the optional diverter valve fitted.

INSTRUCTION MANUAL INSTALLATION, COMMISSIONING & SERVICING

EXCELLENCE COMES AS STANDARD

Worcester, Bosch Group

Cotswold Way, Warndon, Worcester WR4 9SW.

Tel. 01905 754624 Fax. 01905 754619

Worcester, Bosch Group is a trading name of

BBT Thermotechnology UK Ltd.

www.worcester-bosch.co.uk

6 720 612 453b (2006/01) OSW



WORCESTER
Bosch Group