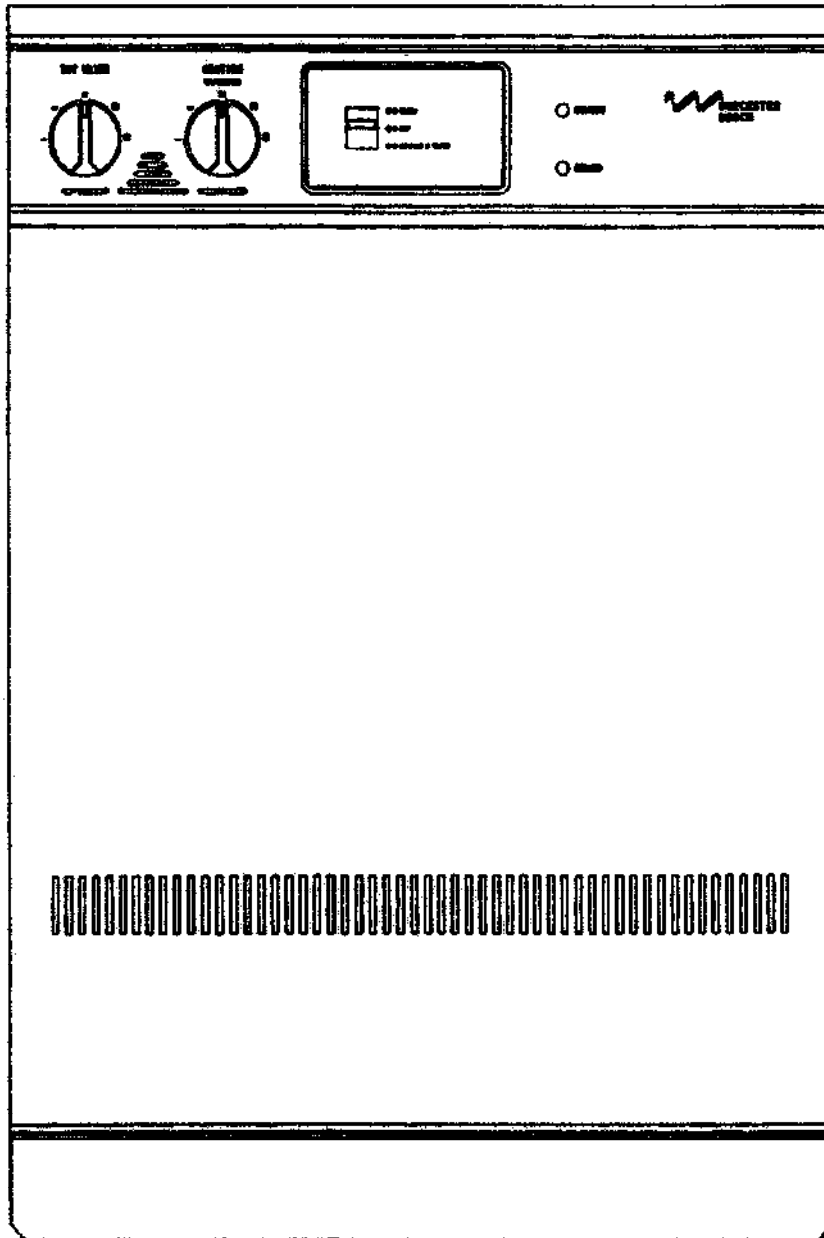


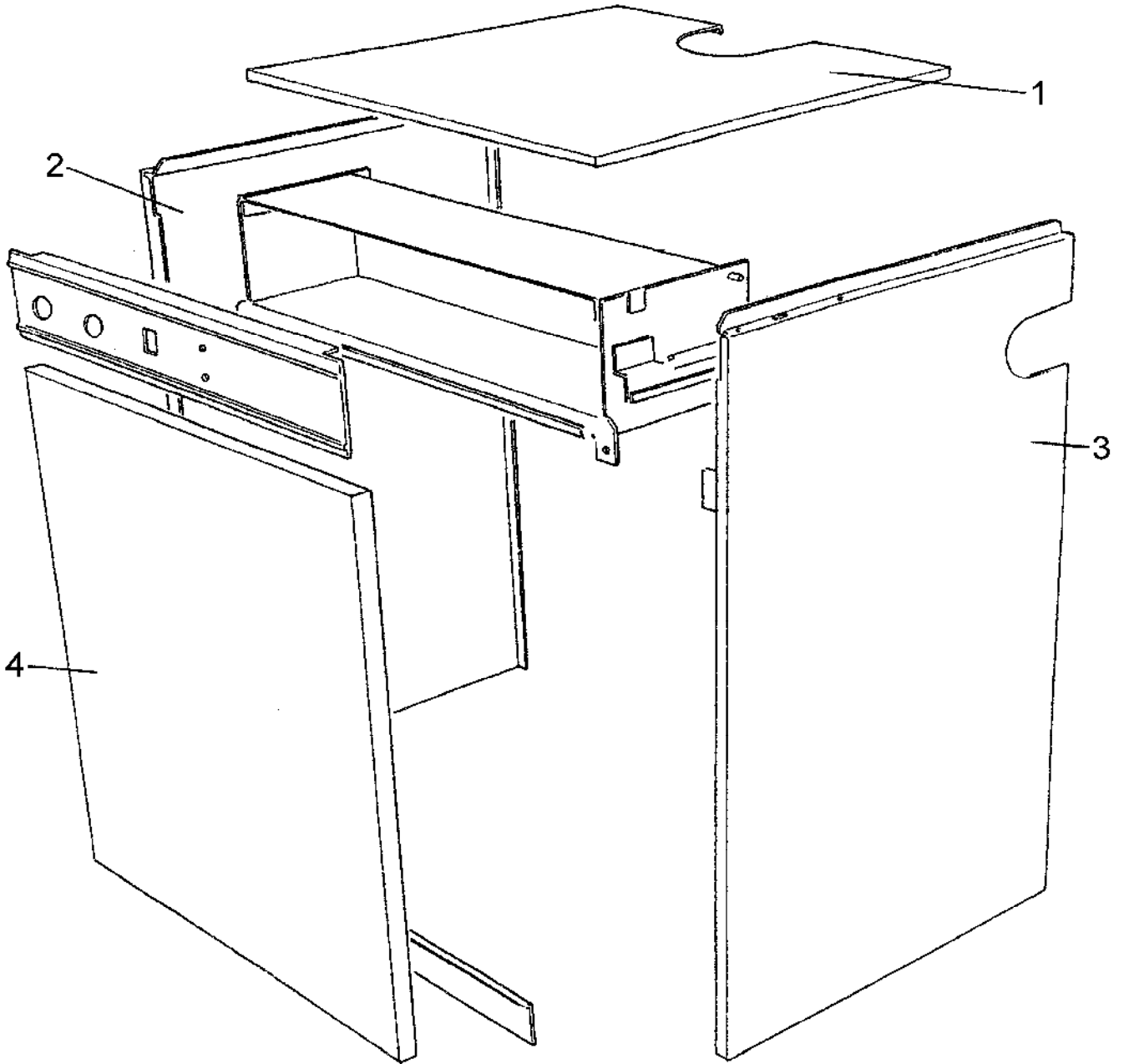
HIFLO400 RSF



- 1 Casing
- 2 Superstructure & Heat Exchanger
- 3 Pump & Hydraulic Assy (A)
- 4 Pump & Hydraulic Assy (B)
- 5 Tank & Expansion Vessel
- 6 Electrical Box Assy
- 9 Additional Spare Parts

6720900102.AA

Spare parts list



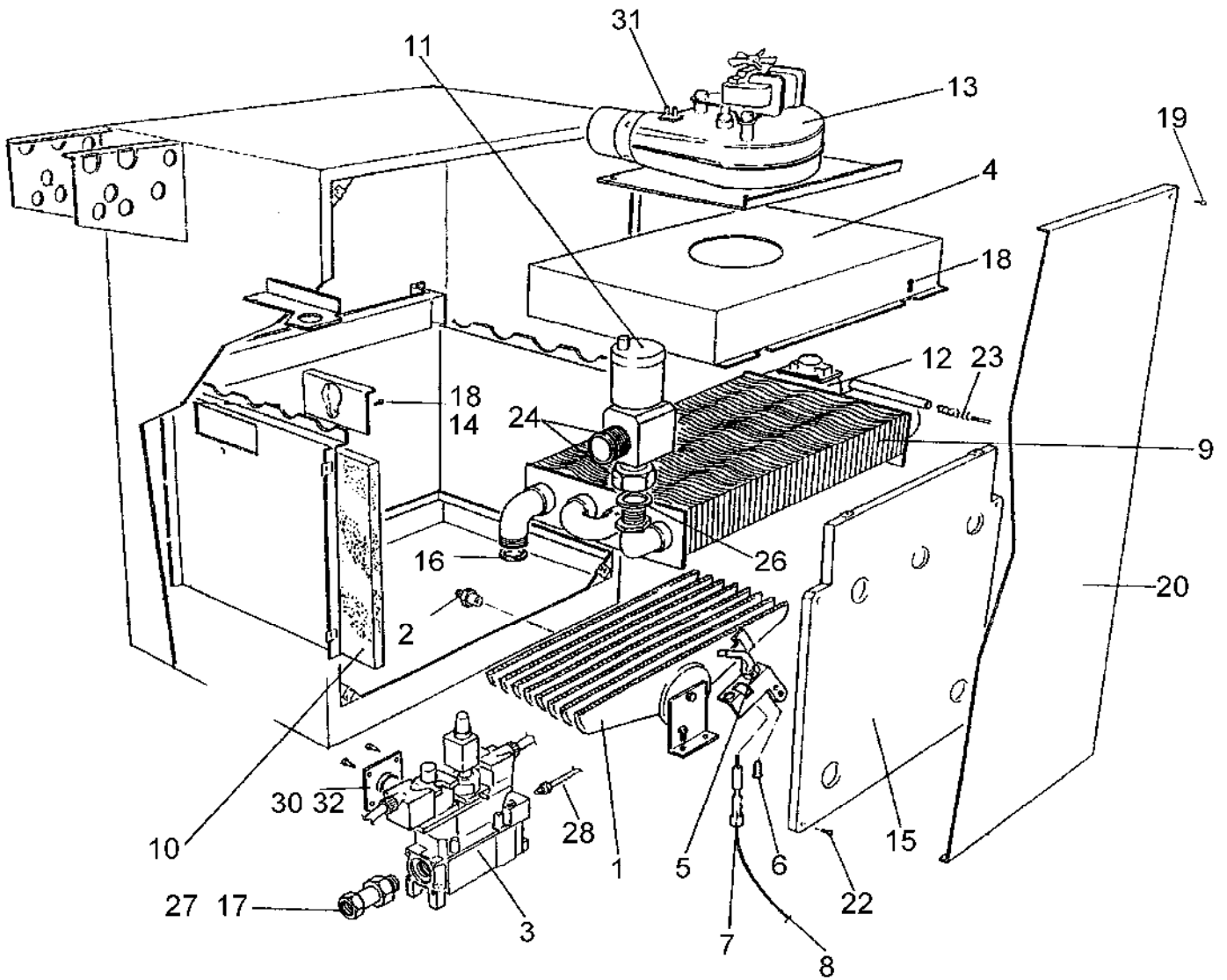
6720900103.AA

Casing
D

1

400 FSN NG 400 FSP LPG

Spare parts list



6720900104.AA

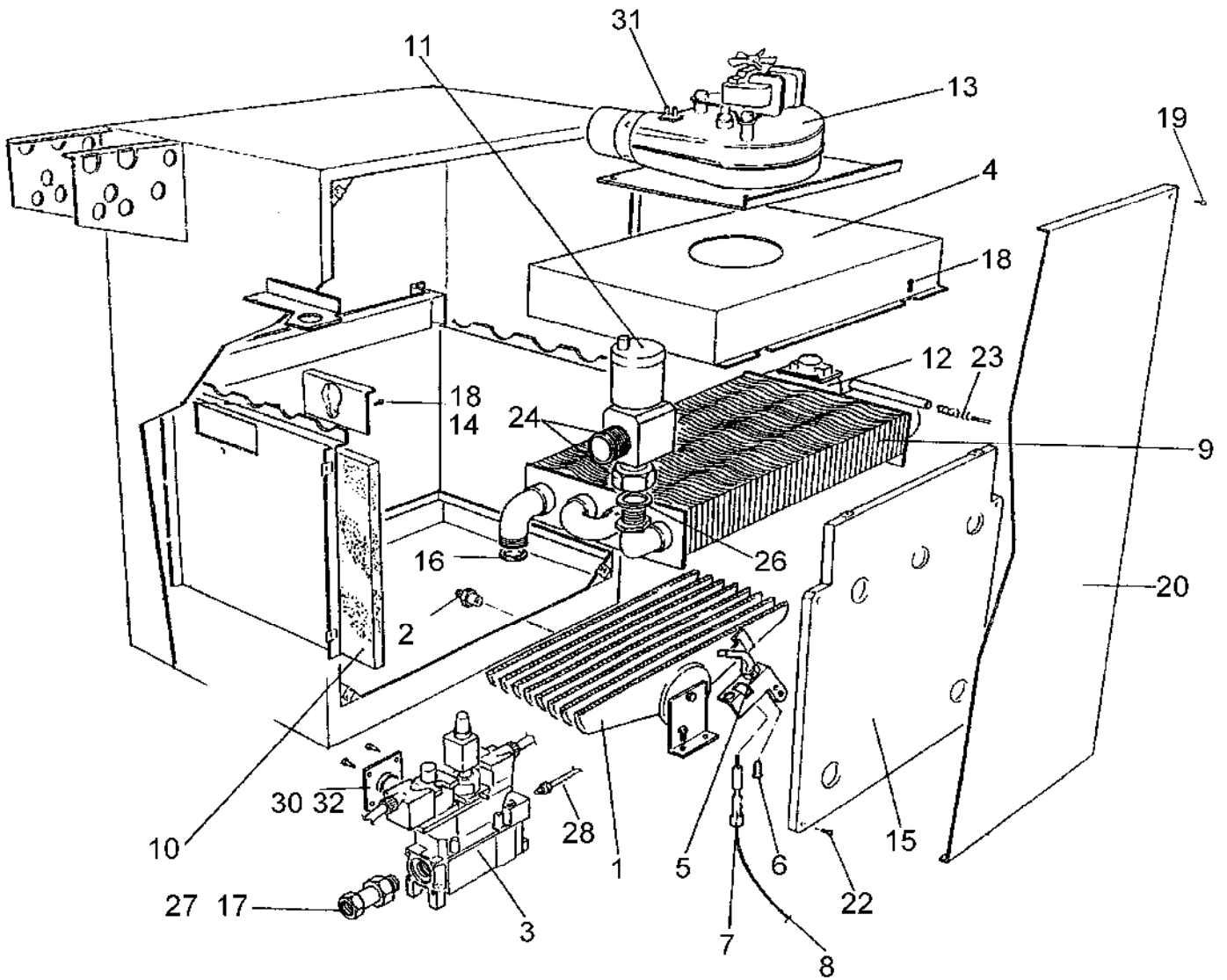
Superstructure / Heat exchanger
D

400 FSN NG 400 FSP LPG

2

Pos	description	S-Nr	ordering no.	PG	gas type	400 FSN NG	400 FSP LPG											remarks
1	Burner aeromatic ng		8 716 142 607 0			■												
1	Burner aeromatic lpg		8 716 142 608 0				■											
2	Main burner injector 4.4 dia.		8 716 156 337 0			■												
2	Injec. lpg 1/8 x120degx2.8di		8 716 156 338 0				■											
3	Gas valve - ng. vr4601qa2003		8 716 142 438 0			■												
3	Gas valve - lpg vr4601qa2011		8 716 142 439 0				■											
4	Flue hood		8 716 100 695 0			■	■											
5	Pilot burner		8 716 142 612 0			■	■											
6	Injector(pilot)lpg		8 716 148 153 0				■											
6	Injector(pilot)		8 716 156 300 0			■												
7	Spark electrode		8 716 142 104 0			■	■											
8	Lead assy 0.7ptfe cabLe 1000mm		8 716 146 641 0			■	■											
9	Gas to water heat exchanger		8 716 142 801 0			■	■											
10	Insulation pack		7 716 192 227 0			■	■											
11	Air-vent automatic 3/8 (ss kit)		8 716 140 500 0	35		■	■											
12	T/stat T/disc 60t13500103		8 716 142 362 0			■	■											AKT,AKU,AKR,AKV,AKW
13	Fan & mount plate assy-lpg		8 716 120 704 0				■											
13	Fan & mount plate assy		8 716 120 738 0			■	■											
14	Nut spire sNu3374		8 716 155 022 0			■	■											
15	Combustion chamber front assy		8 716 100 347 0			■	■											
16	Washers 22mm thin		8 716 140 918 0			■	■											
17	Gas cock 90 deg. angle body		8 716 142 429 0			■	■											
18	Screw iso no 6b x 9.5 recessed		2 912 421 210 0	07		■	■											
19	Screw no.8 x 1" pozi hex head flanged s/		2 912 421 229 0			■	■											
20	Inner casing front assy		8 716 120 741 0			■	■											
22	Screw no.8x1/2 f/h type b self tap.		2 912 421 225 0	16		■	■											
23	T/stat - ranco lm8-p2041 (hl)		8 716 142 339 0			■	■											
24	Air vent adaptor assembly		8 716 121 079 0			■	■											
26	Fibre washer 23.9 X 17.2 X 1.5 (10x)		8 710 103 043 0	12		■	■											
26	Washer 23.9 x 17.2 x 1.5 (X1)		8 716 115 674 0			■	■											
27	Gas line assembly		8 716 121 086 0			■	■											
28	Pilot feed tube assy		8 716 121 314 0			■	■											
30	Gasket - burner manifold		8 716 140 910 0			■	■											
31	Fan venturi		8 716 141 099 0			■	■											
32	Burner manifold		8 716 143 070 0			■	■											
	Access hole cover		8 716 100 693 0			■	■											
	Fan restrictor assembly		8 716 120 706 0			■	■											
	Harness - gas valve (pilot)		8 716 120 813 0			■	■											
	Harness - gas valve (main)		8 716 120 814 0			■	■											
	Harness gas valve hi/low		8 716 120 998 0			■	■											
	1/2 extended liner		8 716 140 257 0			■	■											
	Flanged backnut 1 bsp		8 716 140 293 0			■	■											
	Pressure sensing nipple		8 716 140 302 0			■	■											
	Bung-pilot large hole (5 pack)		8 716 140 707 0			■	■											
	Rubber grommet		8 716 140 708 0	21		■	■											
	Inner casing grommet		8 716 140 719 0			■	■											
	Pilot tube grommet		8 716 140 720 0			■	■											
	O-Ring 3.0x17.0 id h nitrile		8 716 140 832 0			■	■											
	washer 30.5x22.2x1.5		8 716 140 920 0	13		■	■											
	Elbow location grommet		8 716 141 082 0			■	■											
	Elbow clamp strap		8 716 148 215 0			■	■											
	Clip - thermostat retaining		8 716 148 324 0			■	■											
400 FSN NG 400 FSP LPG			Superstructure / Heat exchanger D															2

Spare parts list



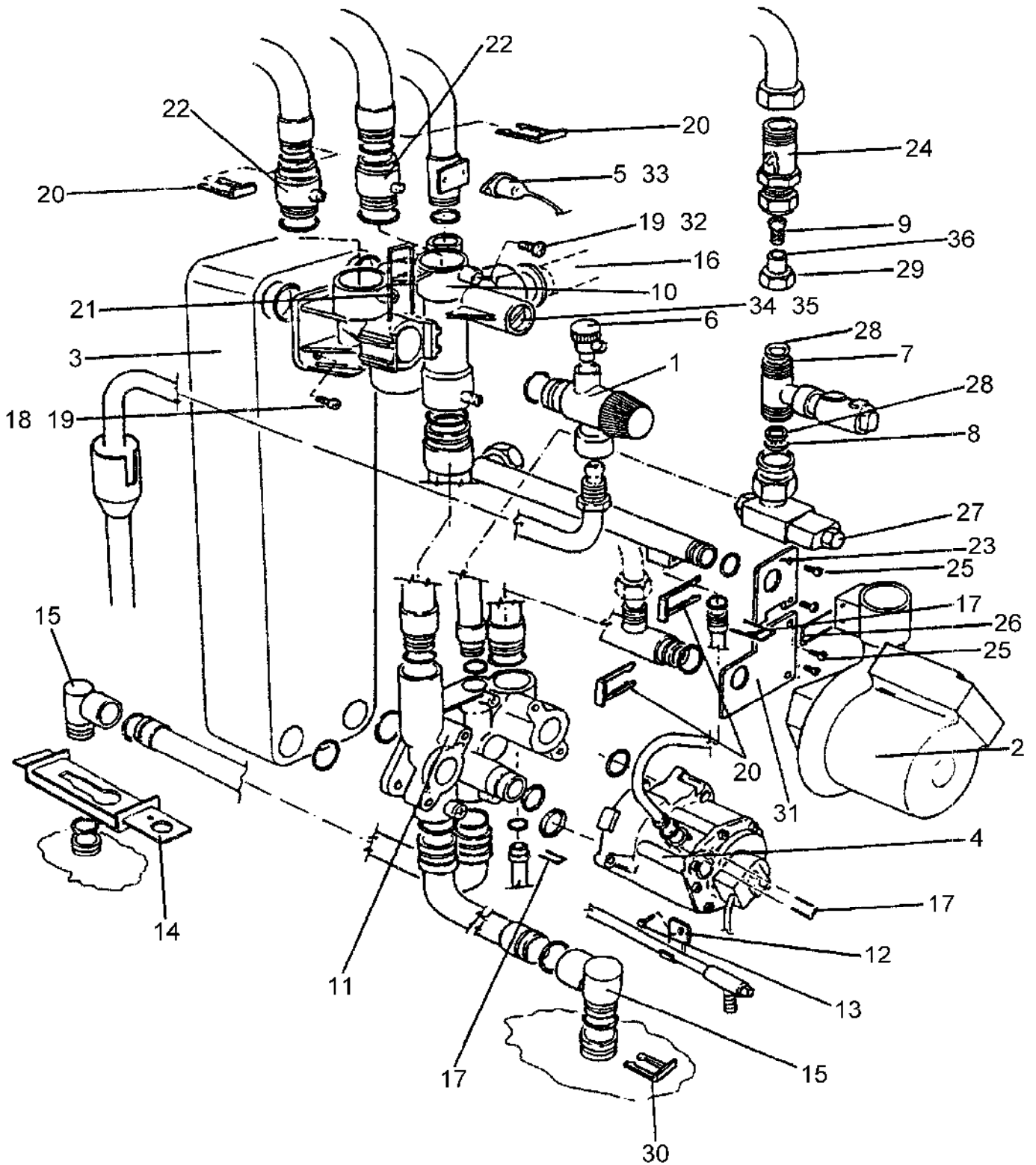
6720900104.AA

Superstructure / Heat exchanger
D

400 FSN NG 400 FSP LPG

2

Spare parts list



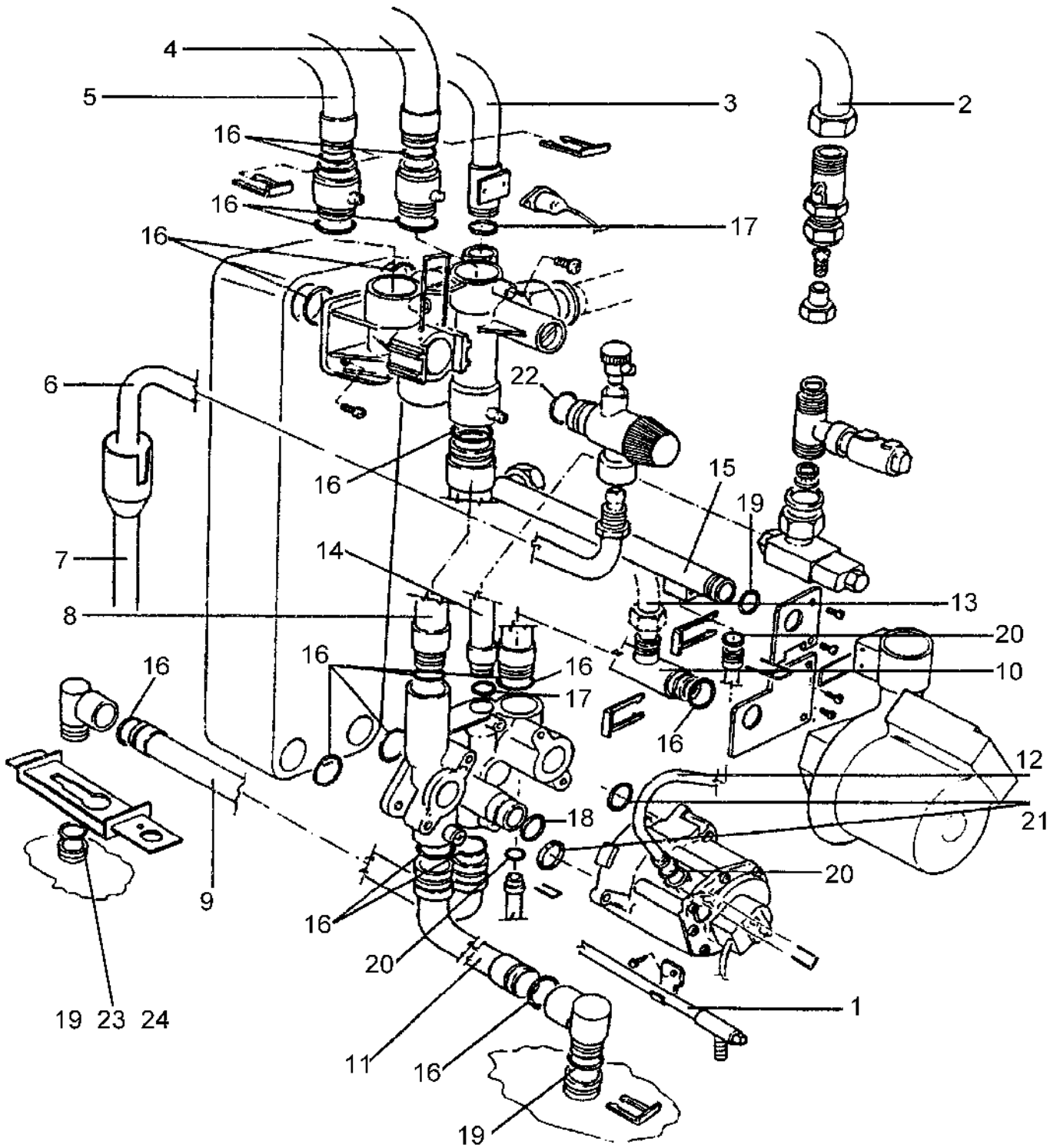
6720900105.AA

Pump / Hydraulic assy (A)
D

400 FSN NG 400 FSP LPG

3

Spare parts list



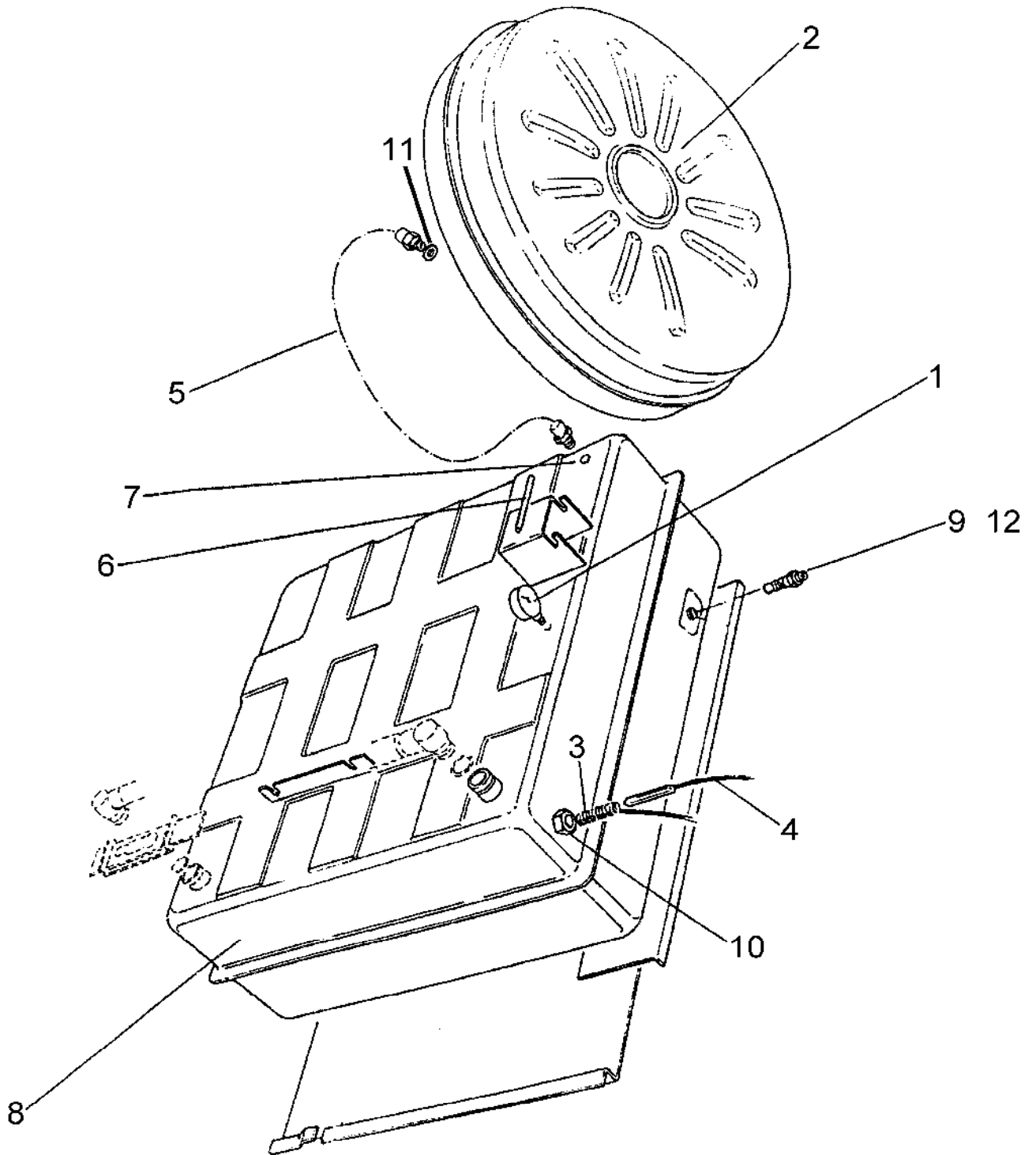
6720900106.AA

Pump / Hydraulic assy (B)
D

400 FSN NG 400 FSP LPG

4

Spare parts list



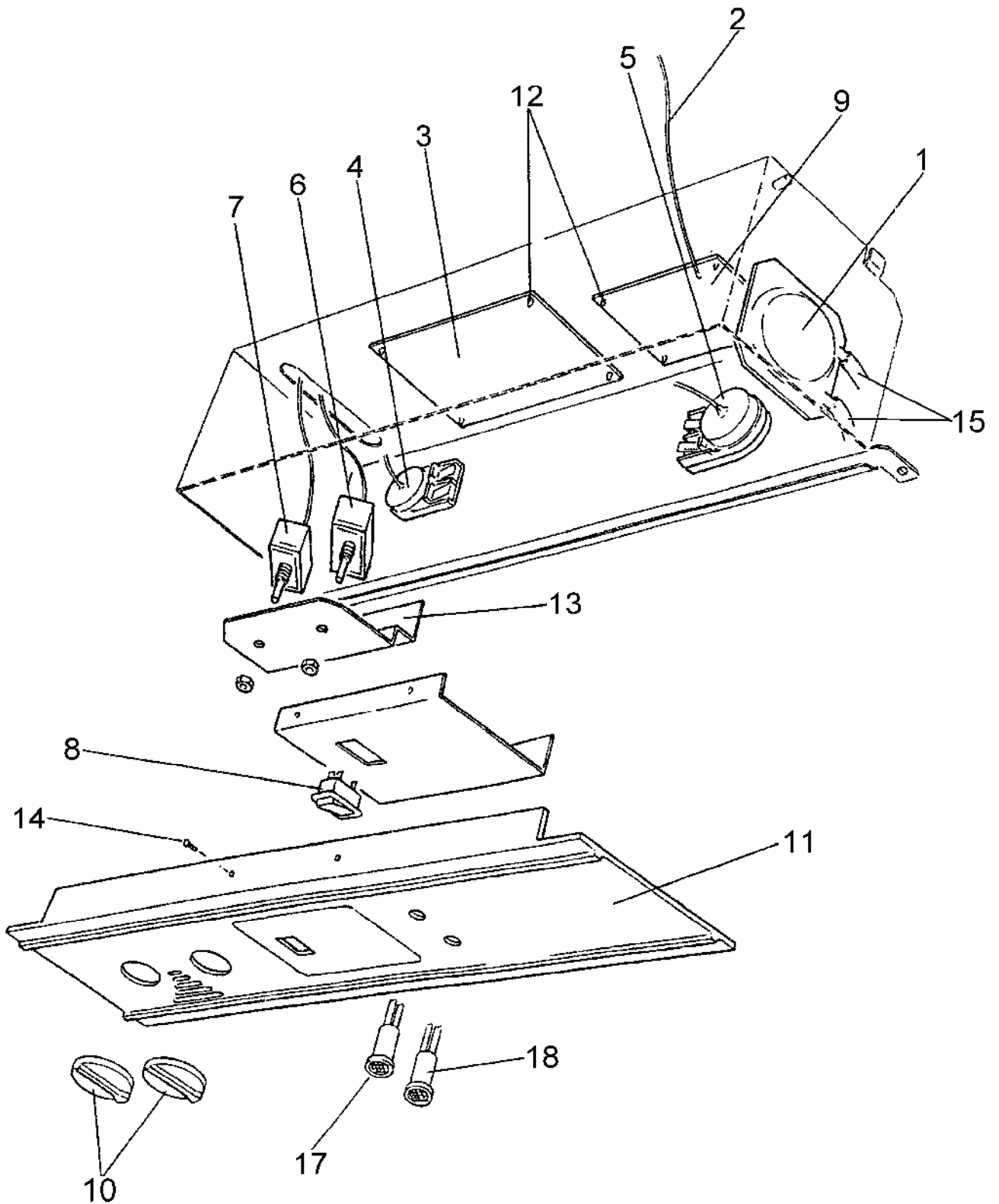
6720900107.AA

Tank & Expansion Vessel
D

5

400 FSN NG 400 FSP LPG

Spare parts list



6720900108.AA

Electrical Box Assembly
D

400 FSN NG 400 FSP LPG

6

**ADDITIONAL SPARE PARTS
FOR APPLIANCE
NOT DRAWN**

9099

6720900999.AA

Additional Spare Part
D

9

400 FSN NG 400 FSP LPG

List of translations

Pos				
1				
2				
3				
4				
2				
1				
2				
3				
4				
5				
6				
7				
8				
9				
10				
11				
12				
13				
14				
15				
16				
17				
18				
19				
20				
22				
23				
24				
26				
27				
28				
30				
31				
32				
3				
1				
Pos				
2				
3				
4				
5				
6				
7				
8				
9				
10				
11				
12				
13				
14				
15				
16				
17				
18				
19				

List of translations

20				
21				
22				
23				
24				
25				
26				
27				
28				
29				
30				
31				
32				
33				
34				
35				
36				
4				
1				
2				
3				
4				
5				
6				
7				
8				
9				
10				
11				
12				
13				
14				
15				
16				
Pos				
17				
18				
19				
20				
21				
22				
23				
24				
5				
1				
2				
3				
4				
5				
6				
7				
8				
9				
10				
11				
12				

