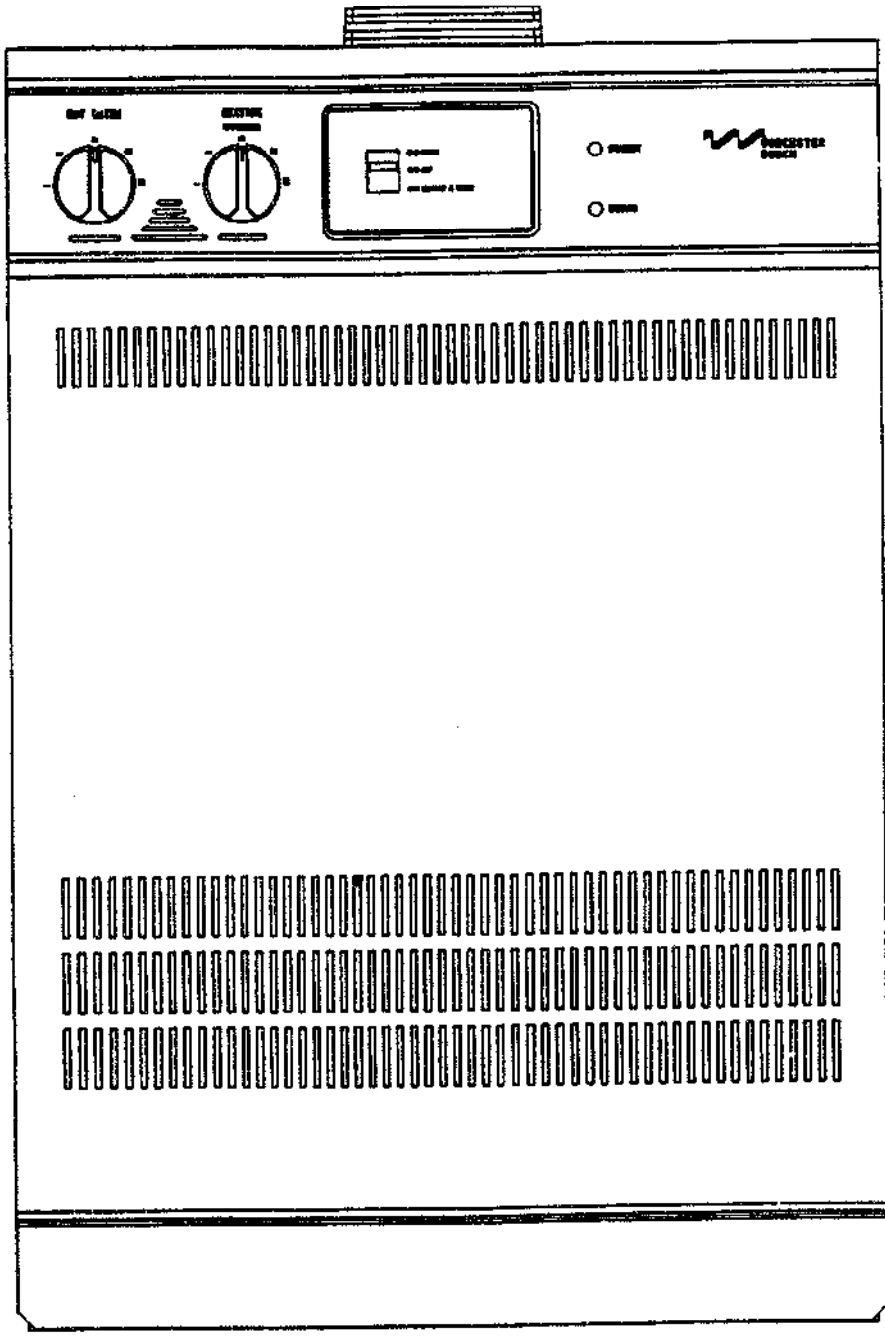


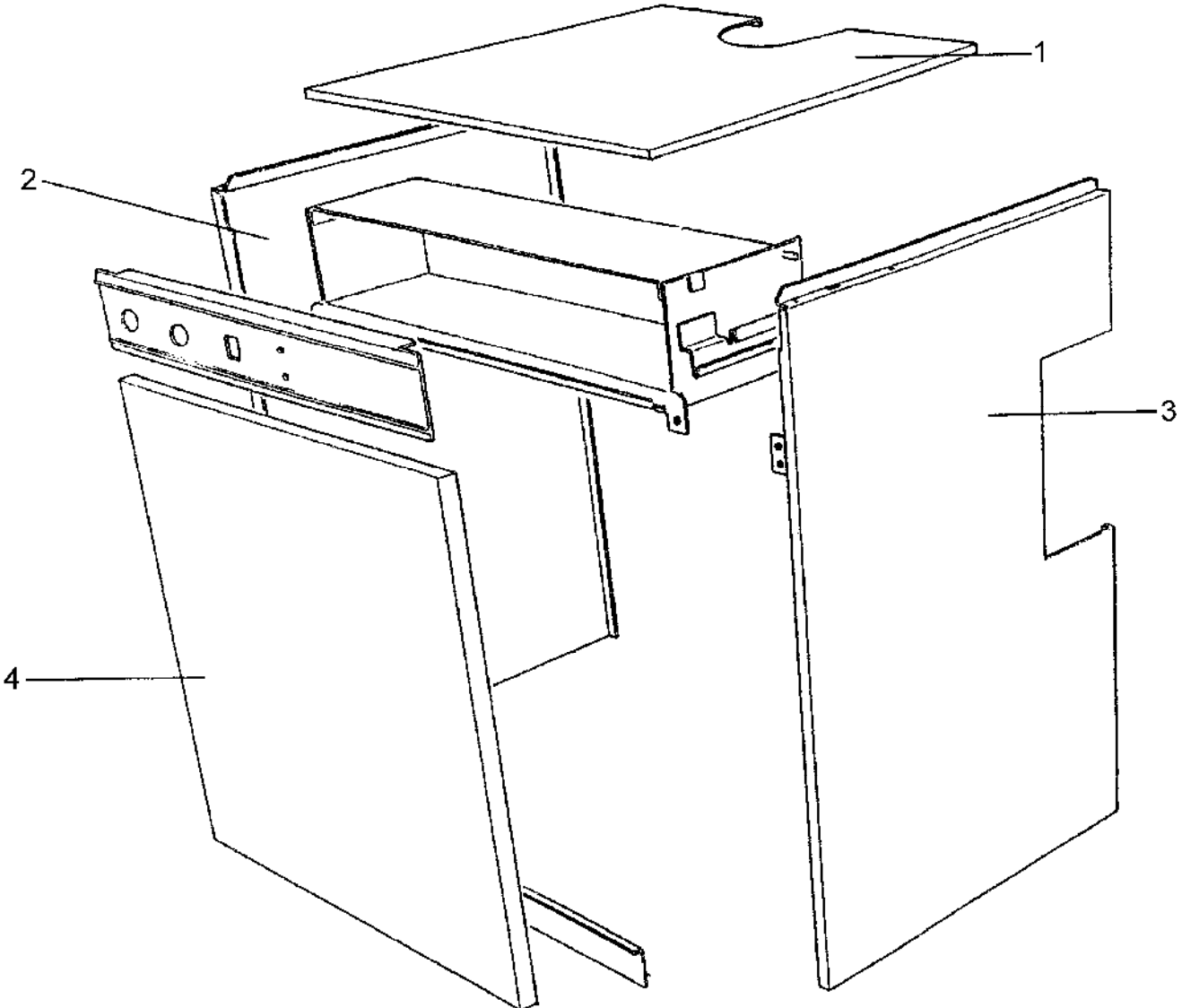
HIFLO400 OF



- 1 Casing
- 2 Superstructure & Heat Exchanger
- 3 Pump & Hydraulic Assy (A)
- 4 Pump & Hydraulic Assy (B)
- 5 Tank & Expansion Vessel
- 6 Electrical Box Assy
- 9 Additional Spare Parts

6720900117.AA

Spare parts list



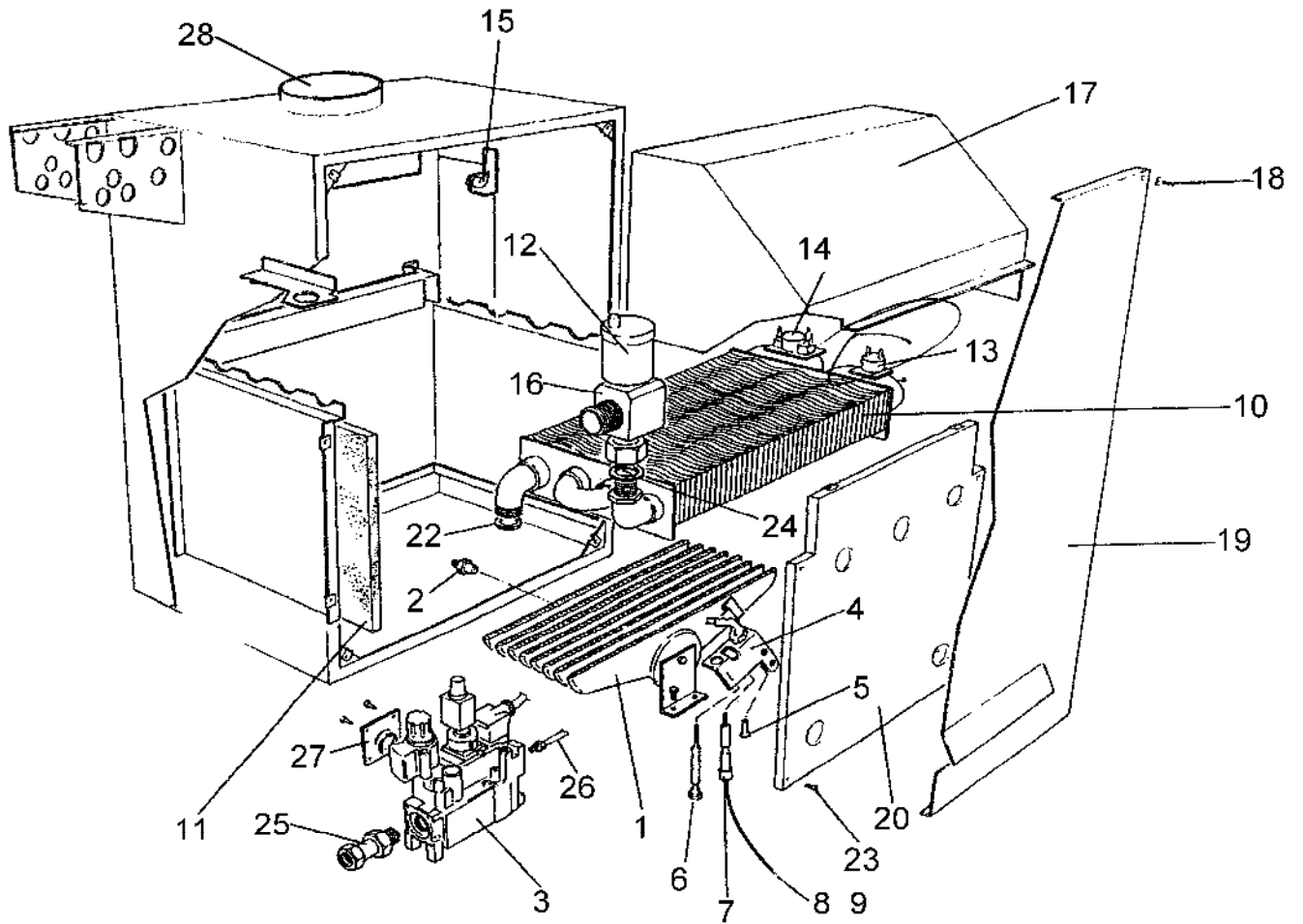
6720900118.AA

Casing
D

400 OSN NG 400 OSP LPG

1

Spare parts list



6720900119.AA

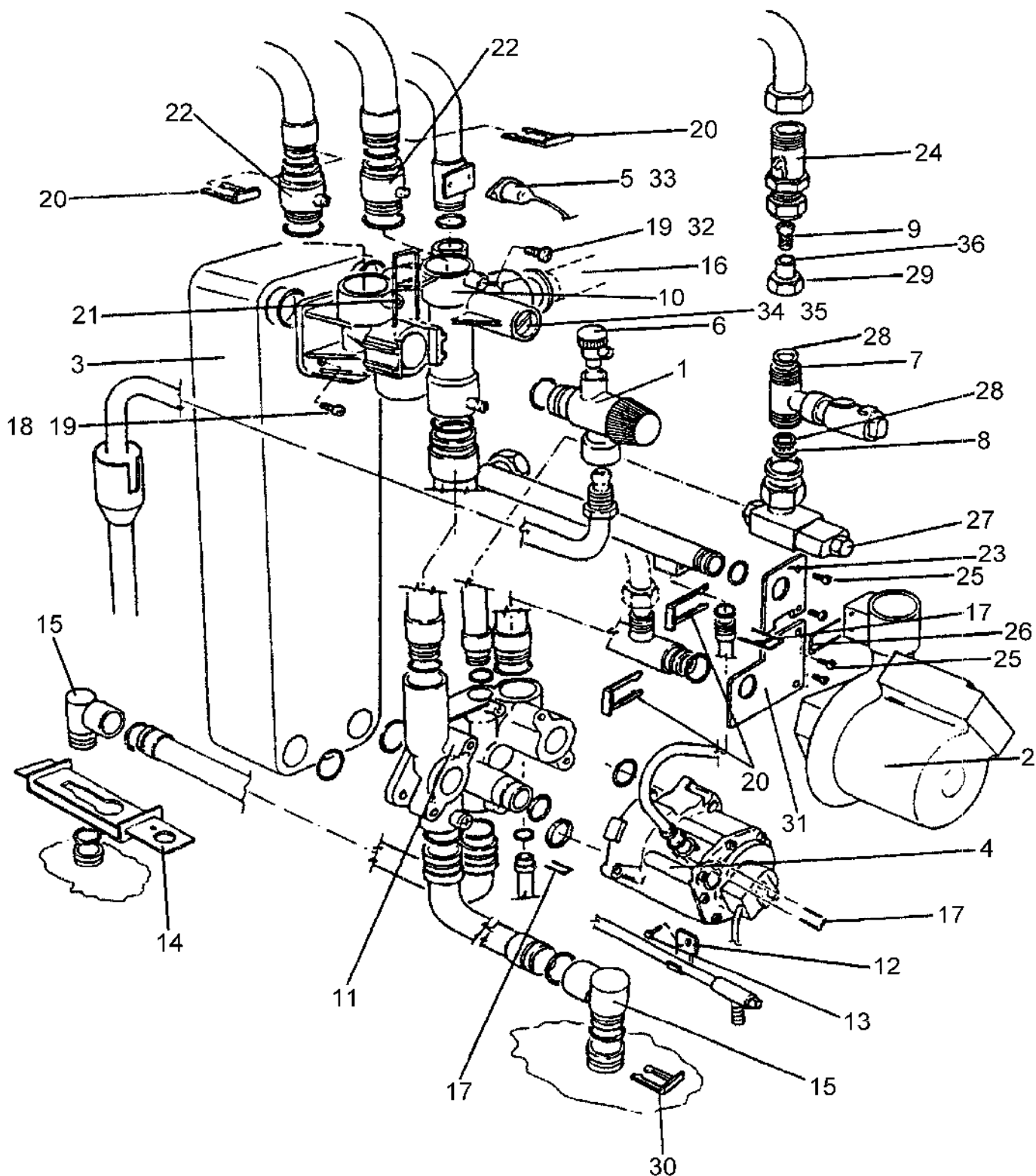
Superstructure / Heat exchanger
D

400 OSN NG 400 OSP LPG

2

Pos	description	S-Nr	ordering no.	PG	gas type	400 OSN NG	400 OSP LPG											remarks
1	Burner aeromatic ng		8 716 142 607 0			■												
1	Burner aeromatic lpg		8 716 142 608 0				■											
2	Main burner injector 4.4 dia.		8 716 156 337 0			■												
2	Injec. lpg 1/8 x120degx2.8di		8 716 156 338 0				■											
3	Gas valve - lpg v4600q2133		8 716 142 437 0				■											
3	Gas valve - n.g. v4600q2125		8 716 142 448 0			■												
4	Pilot burner q385a2010		8 716 142 614 0			■	■											
5	Injector(pilot)lpg		8 716 148 153 0				■											
5	Injector(pilot)		8 716 156 300 0			■												
6	Thermocouple q309a2747		8 716 142 324 0			■	■											
7	Spark electrode		8 716 142 104 0			■	■											
8	Lead assy 0.7 ptfe cabLe 220mm		8 716 146 639 0			■	■											
9	Spark ignitor		8 716 142 126 0			■	■											
10	Gas to water heat exchanger		8 716 142 802 0			■	■											
11	Comb. chamber insulation kit		8 716 142 293 0			■	■											
12	Air-vent automatic 3/8 (ss kit)		8 716 140 500 0	35		■	■											
13	Stat overhear c/w leads (long)		8 716 120 812 0			■	■											
14	T/stat T/disc 60t13500103		8 716 142 362 0			■	■											
15	Harness - t.t.b.		8 716 120 818 0			■	■											
16	Air vent adaptor assembly		8 716 121 079 0			■	■											
17	Flue hood assembly		8 716 100 729 0			■	■											
18	Screw no.8 x 1" pozi hex head flanged s/		2 912 421 229 0			■	■											
19	Inner cablnet cover		8 716 100 730 0			■	■											
20	Combustion chamber front panel		8 716 100 367 0			■	■											
22	Washers 22mm thin		8 716 140 918 0			■	■											
23	Screw no.8x1/2 f/h type b self tap.		2 912 421 225 0	16		■	■											
24	Fibre washer 23.9 X 17.2 X 1.5 (10x)		8 710 103 043 0	12		■	■											
24	Washer 23.9 x 17.2 x 1.5 (X1)		8 716 115 674 0			■	■											
25	Gas line assembly		8 716 121 086 0			■	■											
26	Pilot feed tube assembly		8 716 121 321 0			■	■											
27	Burner manifold		8 716 143 071 0			■	■											
28	Flue trim		8 716 148 107 0			■	■											
	1/2 extended liner		8 716 140 257 0			■	■											
	Nut-7/8 union brass		8 716 140 263 0			■	■											
	Flanged backnut 1 bsp		8 716 140 293 0			■	■											
	O-Ring 3.0x17.0 id h nitrile		8 716 140 832 0			■	■											
	washer 30.5x22.2x1.5		8 716 140 920 0	13		■	■											
	Gas cock 90 deg. angle body		8 716 142 429 0			■	■											
	M4 extended screw 29mm long		8 716 155 046 0			■	■											
400 OSN NG 400 OSP LPG			Superstructure / Heat exchanger D														2	

Spare parts list



6720900105.AA

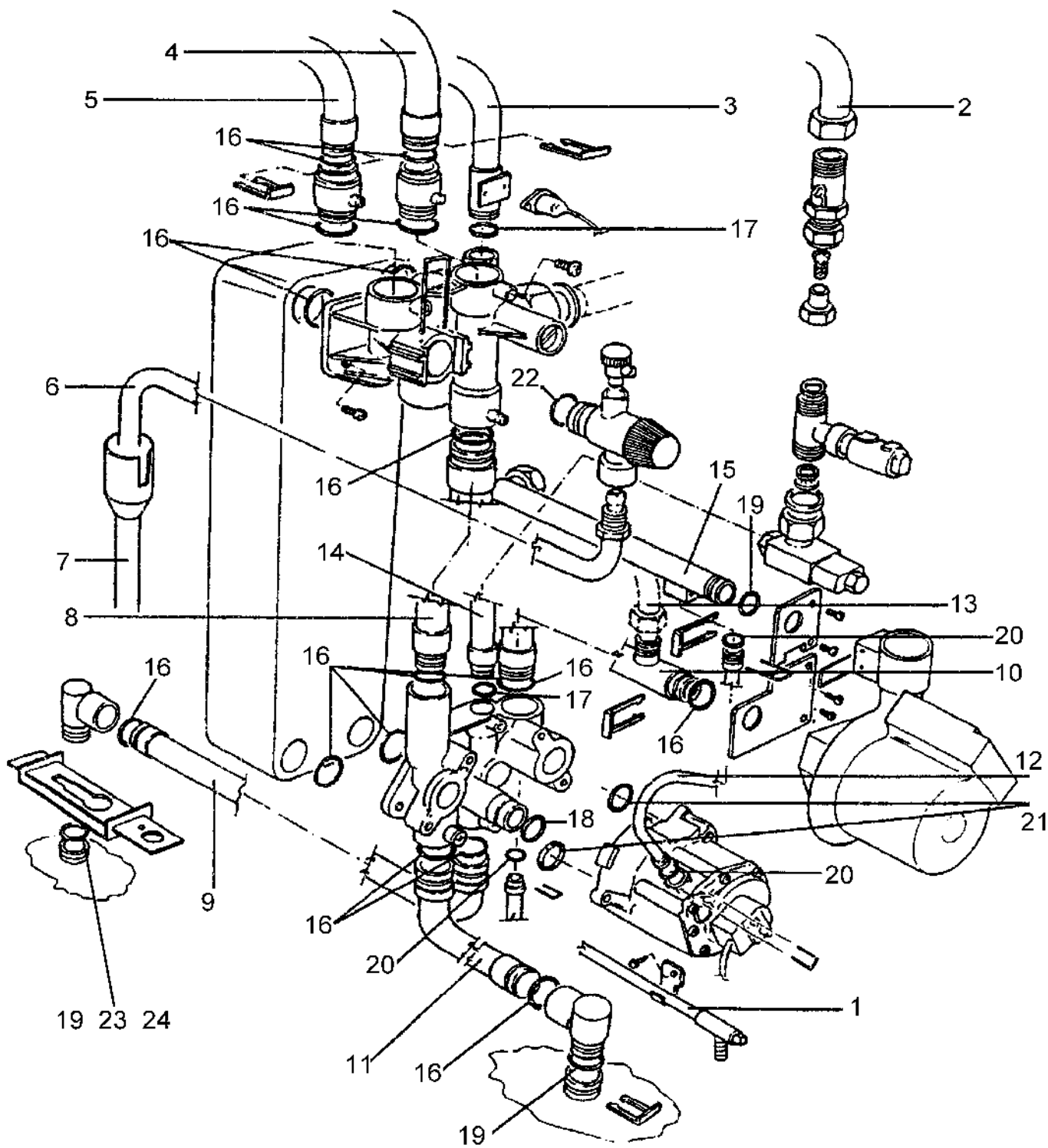
Pump / Hydraulic assy (A)
D

400 OSN NG 400 OSP LPG

3

Pos	description	S-Nr	ordering no.	PG	gas type	400 OSN NG	400 OSP LPG										remarks
1	Pressure relief valve - 314439		8 716 142 422 0			■	■										
2	Standard 15/60 Pump Head		8 716 113 594 0			■	■										
2	Pump & O-Rings		8 716 143 103 0			■	■										
3	Sweep heat exchanger e8-18 ecp		8 716 142 904 0			■	■										
4	Diverter valve with molex plug		8 716 120 739 0			■	■										
5	Harness - h.w. o.heat stat		8 716 120 817 0			■	■										
6	Air vent manual 1/4 bsp		8 716 140 516 0	21		■	■										
7	Sika f.switch with molex plug		8 716 120 740 0			■	■										
8	Flow reg. type a 18 l/m purple		8 716 141 142 0			■	■										
9	Gauze filter		8 716 148 401 0			■	■										
10	Top manifold		8 716 143 017 0			■	■										
11	Bottom manifold		8 716 143 016 0			■	■										
12	Drain cock bracket		8 716 100 683 0			■	■										
13	Screw m5x10mm hex/slotted head		2 911 131 152 0	08		■	■										
14	Keep plate locking plate		8 716 100 433 0			■	■										
15	push in elbow		8 716 148 026 0			■	■										
16	Top manifold tail		8 716 140 260 0			■	■										
17	Clip - small wire		8 716 148 323 0			■	■										
18	Screw m5 x 16mm pozi pan head		2 912 451 158 0			■	■										
19	Washer m5 flat		2 916 011 012 0			■	■										
20	Clip - retaining		8 716 148 322 0			■	■										
21	Wireform spring		8 716 148 310 0	17		■	■										
22	22mm isolating valve-return		8 716 142 434 0			■	■										
23	Upper pump plate		8 716 100 684 0			■	■										
24	Isolator valve 15mm-one c/nut		8 716 142 418 0			■	■										
25	Screw m4x8mm taptite zc pl p/h		2 914 411 412 0	03		■	■										
26	Wireform spring		8 716 148 321 0	14		■	■										
27	Mini vessel adaptor		8 716 156 324 0			■	■										
28	Washer 24 x 12 x 1.50		8 716 140 919 0			■	■										
29	Nut-g3/4 clamping brass		8 716 140 285 0			■	■										
30	Clip - retaining		8 716 148 320 0			■	■										
31	Lower pump plate		8 716 100 685 0			■	■										
32	Screw 4mm x 12 pt posi pan z/p		2 914 201 303 0			■	■										
33	Screw m3x6mm zc pl p/h taptite		2 914 411 411 0	18		■	■										
34	By-pass Screw		8 716 156 325 0			■	■										
35	O-Ring 2.40 x 7.60 id nitrile		8 716 140 808 0	17		■	■										
36	Tail 15mmxg3/4		8 716 140 276 0			■	■										
	Pump & dhw harness assembly		8 716 121 070 0			■	■										
	Diverter valve coil assembly		8 716 121 282 0			■	■										
	Hydraulic assembly spares kit		8 716 121 541 0			■	■										
	Flow reg. adaptor		8 716 140 278 0			■	■										
	Non return valve		8 716 142 462 0			■	■										
400 OSN NG 400 OSP LPG			Pump / Hydraulic assy (A) D													3	

Spare parts list



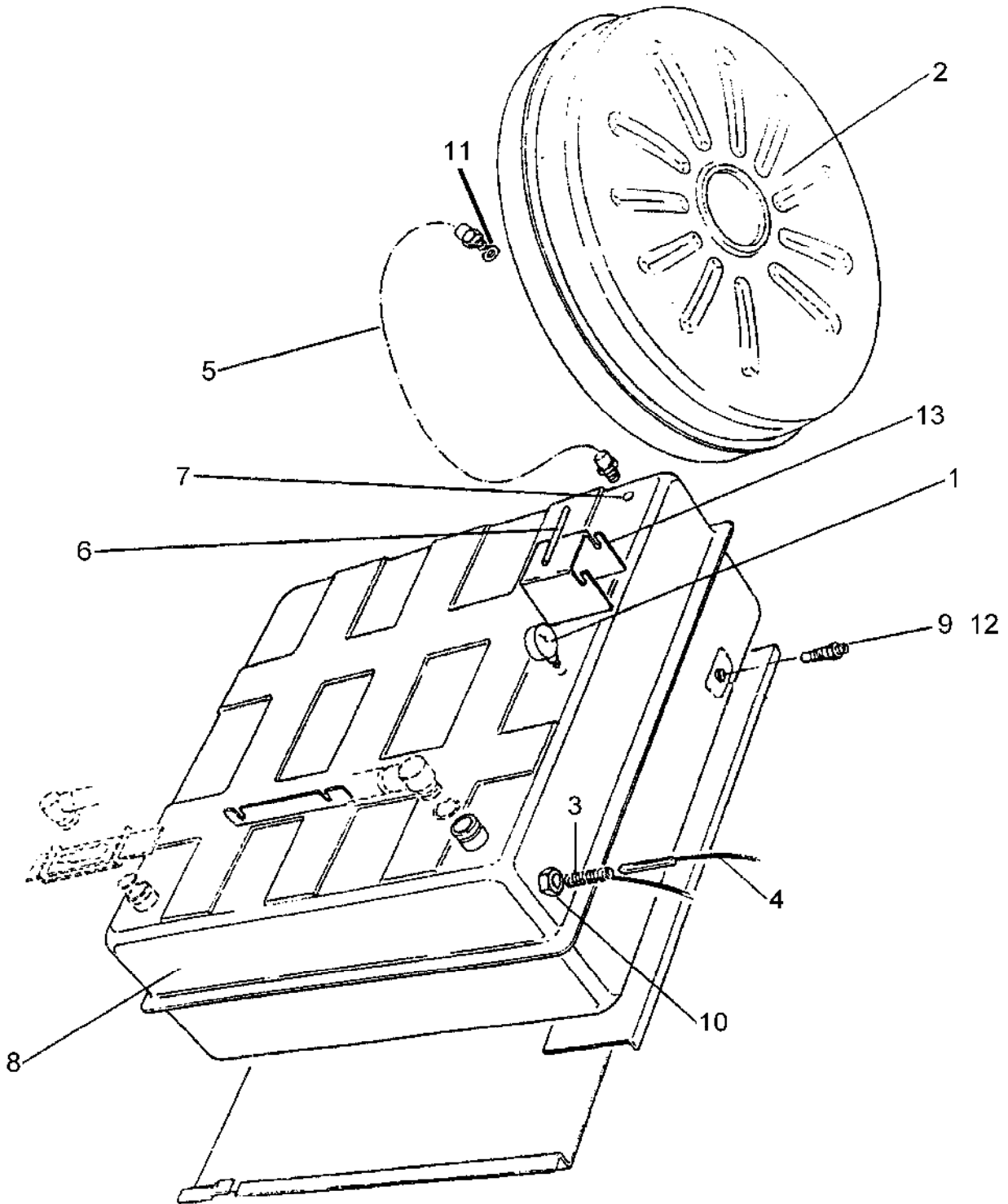
6720900106.AA

Pump / Hydraulic assy (B)
D

400 OSN NG 400 OSP LPG

4

Spare parts list



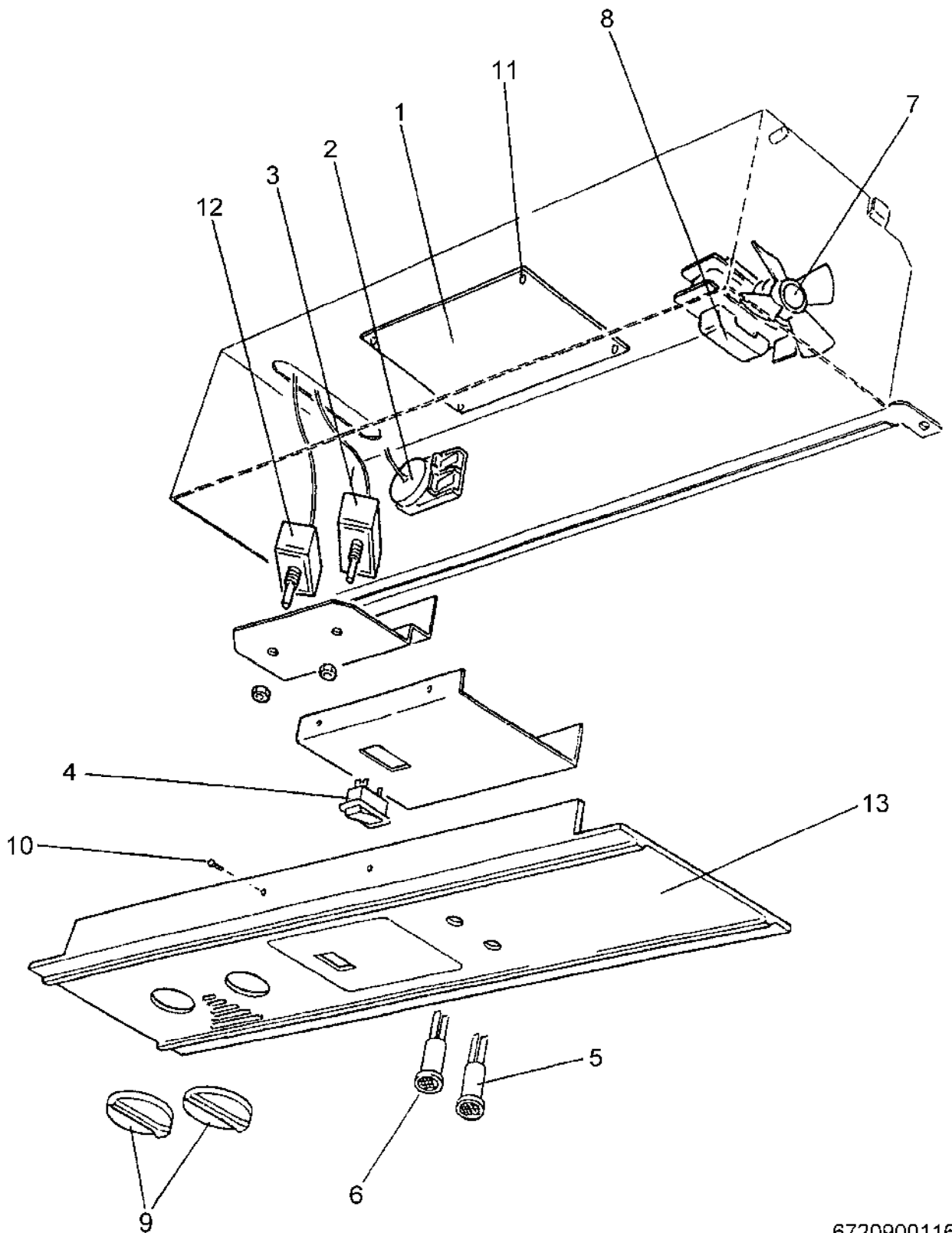
6720900120.AA

Tank & Expansion Vessel
D

400 OSN NG 400 OSP LPG

5

Spare parts list



6720900116.AA

Electrical Box Assembly
D

400 OSN NG 400 OSP LPG

6

**ADDITIONAL SPARE PARTS
FOR APPLIANCE
NOT DRAWN**

9099

6720900999.AA

Additional Spare Part
D

9

400 OSN NG 400 OSP LPG

Pos	description	S-Nr	ordering no.	PG	gas type													remarks
						400 OSN NG	400 OSP LPG											
	Electronic timer-t230e7		7 716 192 007 0			■	■											
	Conversion kit hf400of ng to lpg		7 716 192 175 0			■	■											
	Conversion kit hf400of lpg to ng		7 716 192 176 0			■	■											
	Gasket/O-Ring pack		7 716 192 228 0			■	■											
	Hf400 clip / Screw pack		8 716 120 925 0			■	■											
	Hardware/literature pack		8 716 121 101 0			■	■											
	H/flow 400 of mk1 serv & inst manual		8 716 145 066 0			■	■											
	H/flow 400 rsf,bf, of mk1 user manual		8 716 145 082 0			■	■											
	External prog/timer instruct		8 716 145 114 0			■	■											
400 OSN NG 400 OSP LPG			Additional Spare Part D															9

List of translations

Pos				
1				
2				
3				
4				
2				
1				
2				
3				
4				
5				
6				
7				
8				
9				
10				
11				
12				
13				
14				
15				
16				
17				
18				
19				
20				
22				
23				
24				
25				
26				
27				
28				
3				
1				
2				
3				
4				
5				
6				
7				
8				
9				
10				
11				
12				
13				
14				
15				
Pos				
16				
17				
18				
19				
20				
21				

List of translations

22				
23				
24				
25				
26				
27				
28				
29				
30				
31				
32				
33				
34				
35				
36				
4				
1				
2				
3				
4				
5				
6				
7				
8				
9				
10				
11				
12				
13				
14				
15				
16				
17				
18				
19				
20				
21				
22				
23				
24				
5				
1				
2				
Pos				
3				
4				
5				
6				
7				
8				
9				
10				
11				
12				
13				

Types of appliances

Appliance	ordering no.	Country	remarks
HIFLO400-OSN-GB NAT GAS COMBI	7 716 120 004	United Kingdom	
HIFLO400-OSP-GB LPG COMBI	7 716 120 005	United Kingdom	

