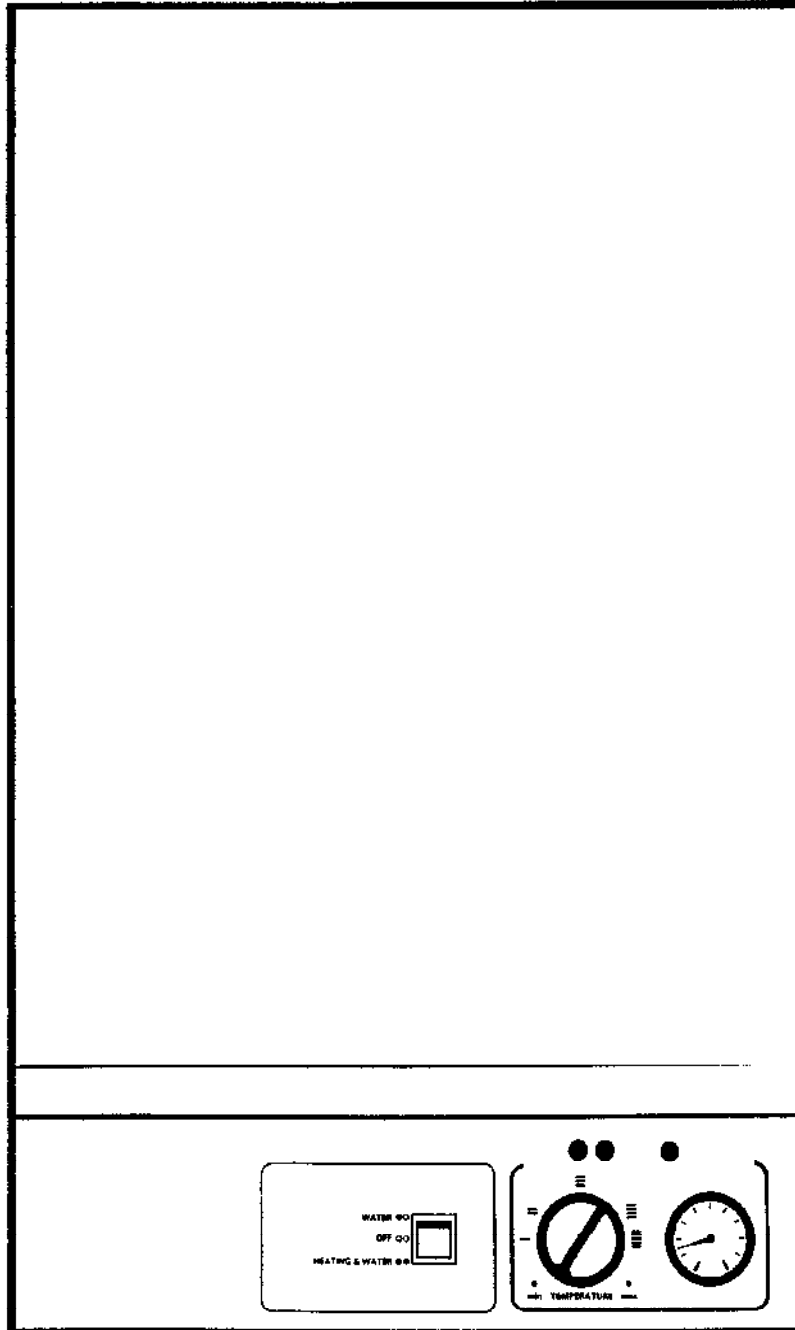


# 350 RSF

- 1 Casing
- 2 Superstructure & Heatexchanger
- 3 Pump & Hydraulic Assy
- 4 Electrical Box Assy
- 9 Additional Spare Parts

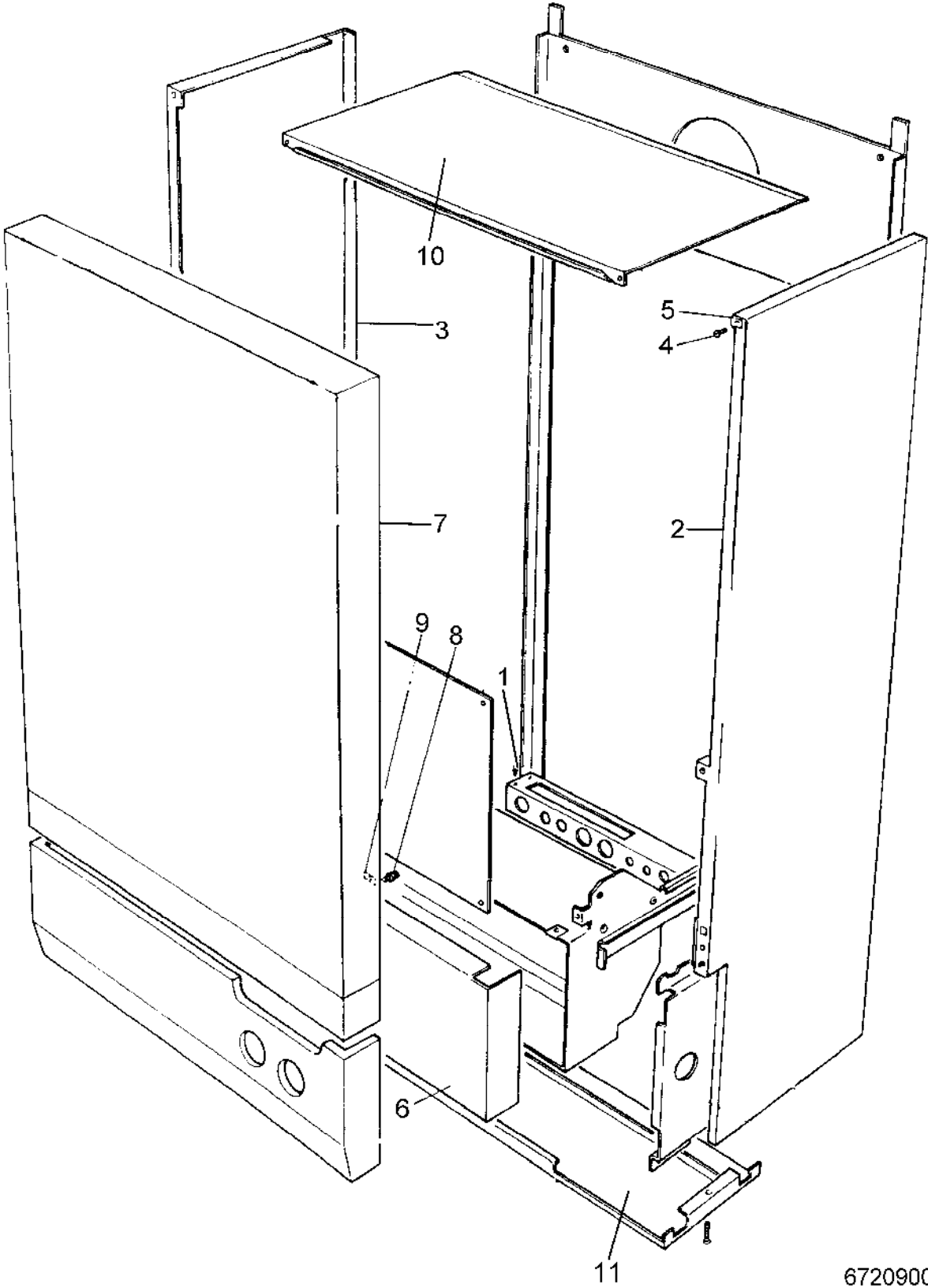


6720900110.AA





Spare parts list



6720900111.AA

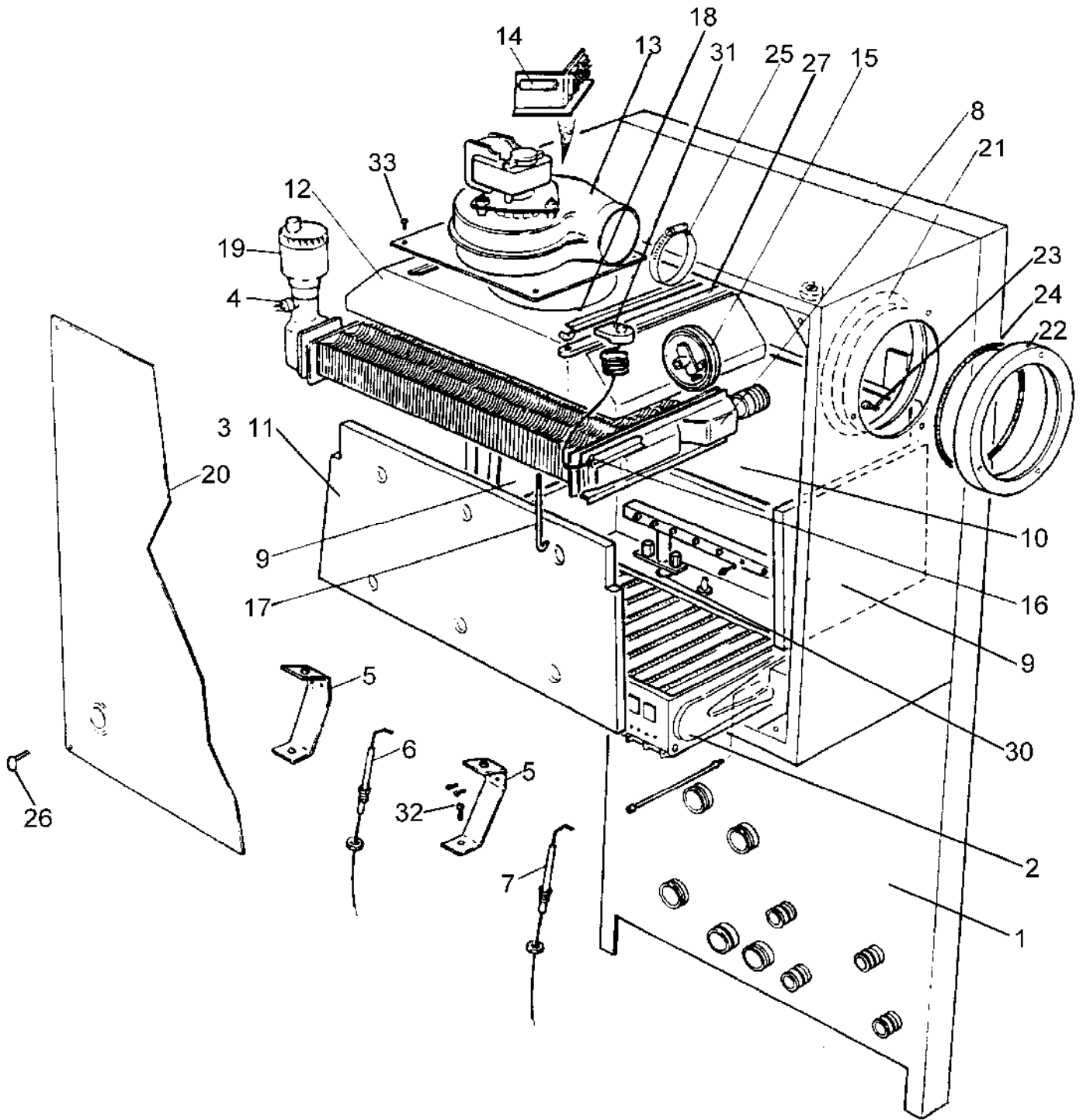
Casing  
D

350-FSN 350-FSP

1



Spare parts list



672090012.AA

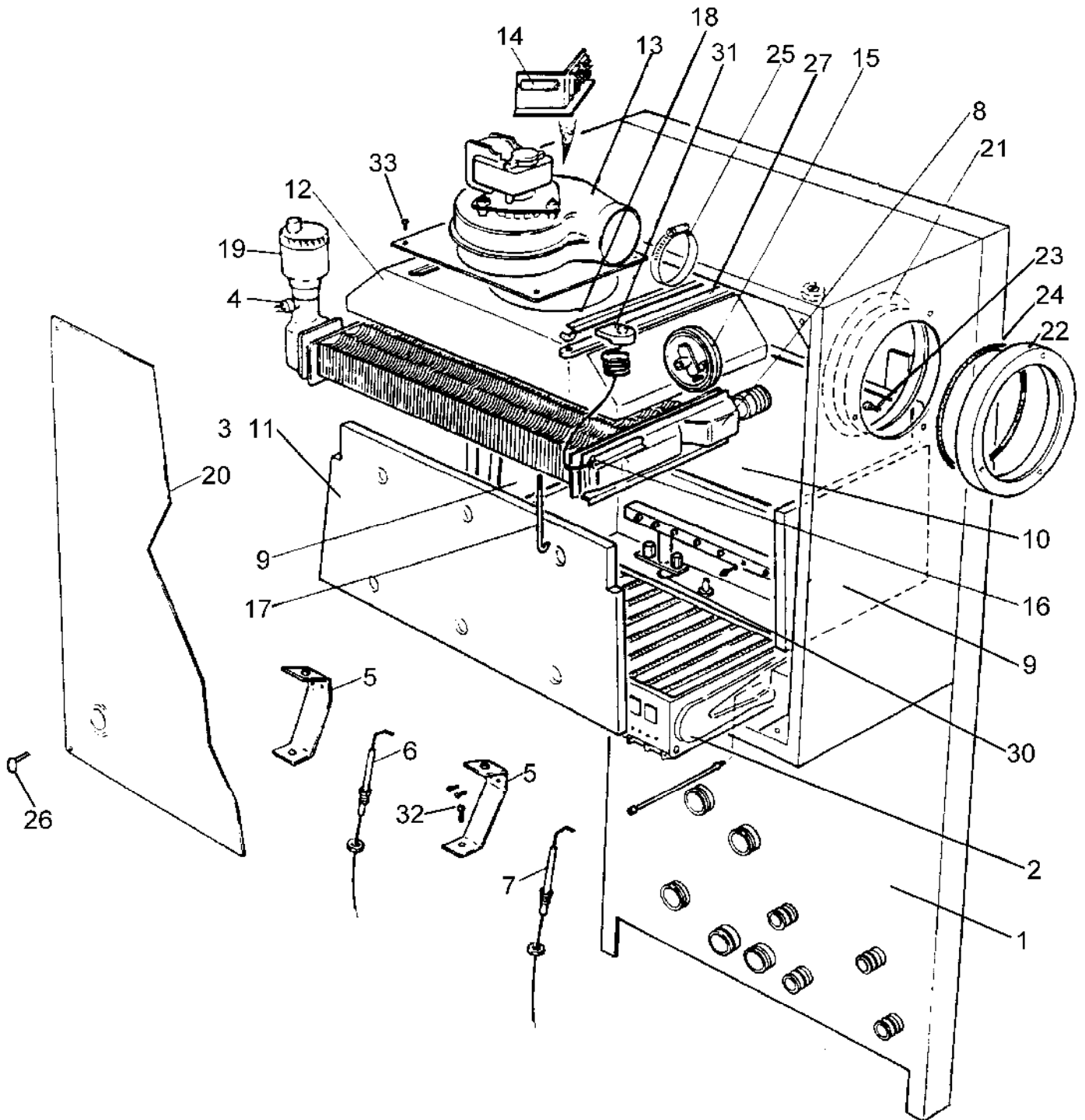
Superstructure / Heat exchanger  
D

350-FSN 350-FSP

2

Pos	description	S-Nr	ordering no.	PG	gas type	350-FSN	350-FSP											remarks
1	Back panel assy		8 716 120 759 0		LPG	■												
1	Back panel assy		8 716 120 759 0		NG	■												
3	Combustion front back panel		8 716 100 443 0		LPG	■												
3	Combustion front back panel		8 716 100 443 0		NG	■												
4	Temperature probe c/w Washer		8 716 142 315 0		LPG	■												
4	Temperature probe c/w Washer		8 716 142 315 0		NG	■												
5	Electrode mounting bracket		8 716 100 377 0		LPG	■												: BEFORE December 1999
5	Electrode mounting bracket		8 716 100 377 0		NG	■												: BEFORE December 1999
5	Electrode mounting bracket		8 716 100 806 0		LPG	■												AFTER December 1999
5	Electrode mounting bracket		8 716 100 806 0		NG	■												AFTER December 1999
6	Spark electrode 60999/000		8 716 142 122 0		LPG	■												
6	Spark electrode 60999/000		8 716 142 122 0		NG	■												
7	Flame sence elect. 60999/001		8 716 142 121 0		LPG	■												
7	Flame sence elect. 60999/001		8 716 142 121 0		NG	■												
8	Heat exchanger with O-Rings		8 716 142 804 0		LPG	■												
8	Heat exchanger with O-Rings		8 716 142 804 0		NG	■												
9	Cer.fib.brd.10x142x204mm (sides)		8 716 142 262 0		LPG	■												
9	Cer.fib.brd.10x142x204mm (sides)		8 716 142 262 0		NG	■												
10	Cer.fib.brd.10x191x404mm (back)		8 716 142 263 0		LPG	■												
10	Cer.fib.brd.10x191x404mm (back)		8 716 142 263 0		NG	■												
11	Cer.fib.brd.10x191x404mm (front)		8 716 142 264 0		LPG	■												
11	Cer.fib.brd.10x191x404mm (front)		8 716 142 264 0		NG	■												
12	Collector hood assembly		8 716 120 809 0		LPG	■												
12	Collector hood assembly		8 716 120 809 0		NG	■												
13	Fan assembly		8 716 120 626 0		LPG	■												
13	Fan assembly		8 716 120 626 0		NG	■												
14	Fan resistor harness		8 716 120 864 0		LPG	■												
14	Fan resistor harness		8 716 120 864 0		NG	■												
15	Pres. switch adaptor pack -350		8 716 146 143 0		LPG	■												
15	Pres. switch adaptor pack -350		8 716 146 143 0		NG	■												
16	Pin retaining		8 716 148 342 0		LPG	■												
16	Pin retaining		8 716 148 342 0		NG	■												
17	J bolt zinc plt o-f 924 4x93		8 716 140 541 0		LPG	■												
17	J bolt zinc plt o-f 924 4x93		8 716 140 541 0		NG	■												
18	Nut m4 ms wing zn pl table 1		2 915 191 104 0		LPG	■												
18	Nut m4 ms wing zn pl table 1		2 915 191 104 0		NG	■												
19	Air-vent automatic 3/8 (ss kit)		8 716 140 500 0	35	LPG	■												
19	Air-vent automatic 3/8 (ss kit)		8 716 140 500 0	35	NG	■												
20	Inner casing cover assembly		8 716 120 808 0		LPG	■												
20	Inner casing cover assembly		8 716 120 808 0		NG	■												
21	Ring inner alum		8 716 140 004 0		LPG	■												
21	Ring inner alum		8 716 140 004 0		NG	■												
22	Ring outer alum		8 716 140 003 0		LPG	■												
22	Ring outer alum		8 716 140 003 0		NG	■												
23	Screw m5x16mm hexagon slotted head		2 911 131 158 0		LPG	■												
23	Screw m5x16mm hexagon slotted head		2 911 131 158 0		NG	■												
24	Gasket-sil.sp 3mm x112id		8 716 140 740 0		LPG	■												
24	Gasket-sil.sp 3mm x112id		8 716 140 740 0		NG	■												
25	Strap flue duct		8 716 148 209 0		LPG	■												
25	Strap flue duct		8 716 148 209 0		NG	■												
26	Screw no8 x 1 pozi fl hd st ms zp		2 912 421 029 0	08	LPG	■												
26	Screw no8 x 1 pozi fl hd st ms zp		2 912 421 029 0	08	NG	■												
<b>350-FSN 350-FSP</b>			Superstructure / Heat exchanger D															<b>2</b>

Spare parts list



672090012.AA

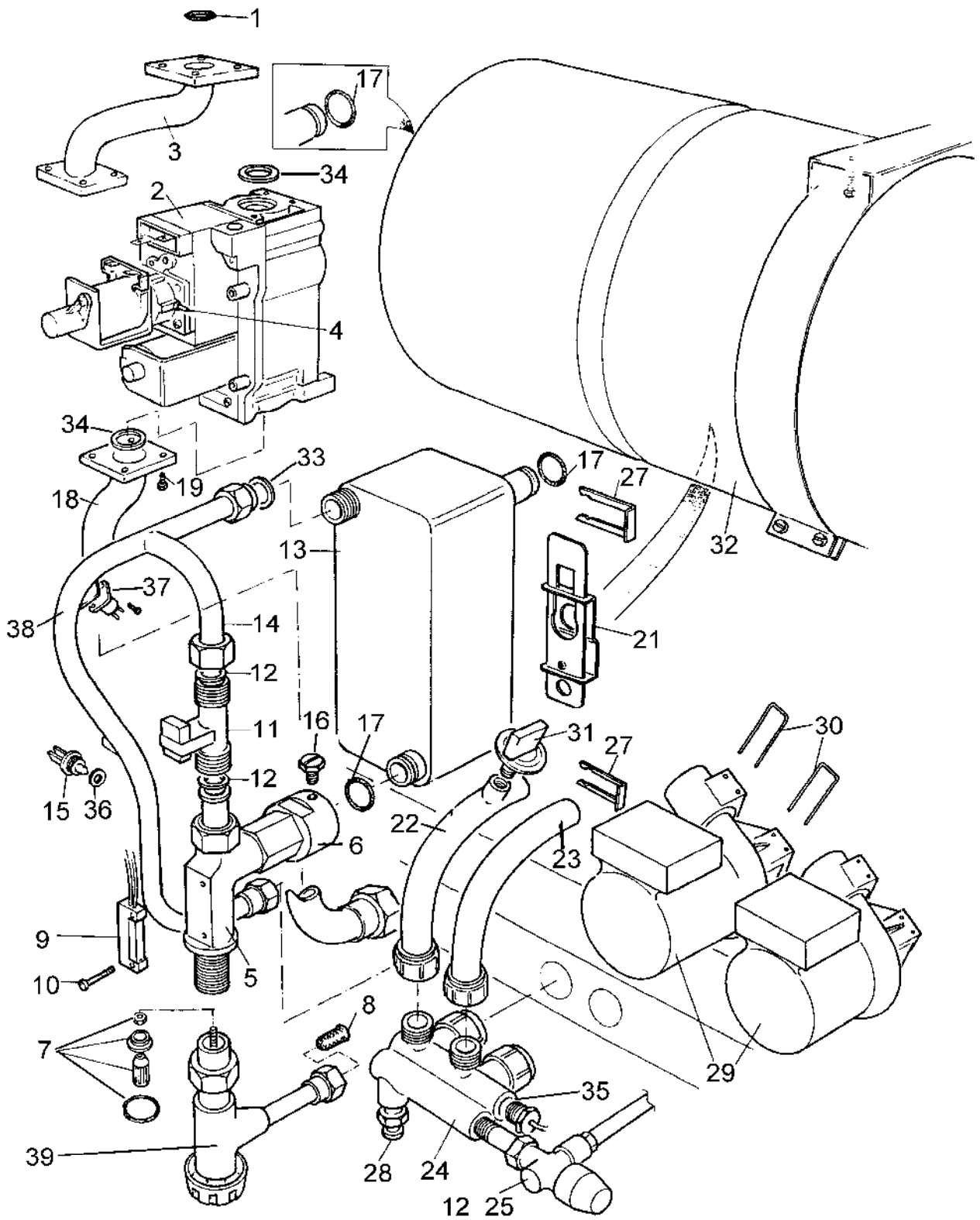
Superstructure / Heat exchanger  
D

350-FSN 350-FSP

2



# Spare parts list



6720900113.AA

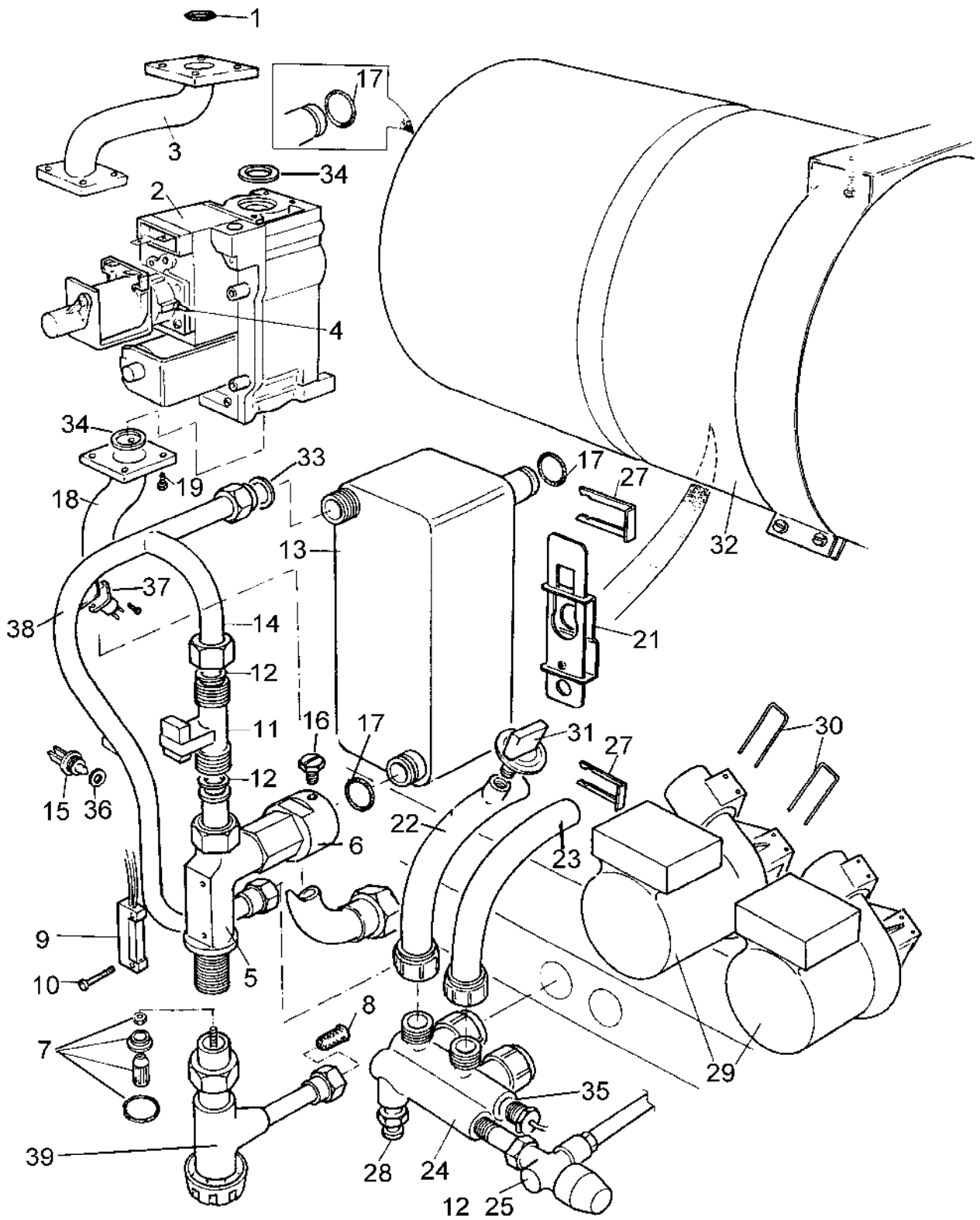
Pump / Hydraulic assy  
D

350-FSN 350-FSP

**3**

Pos	description	S-Nr	ordering no.	PG	gas type	350-FSN	350-FSP										remarks
1	O-Ring 4 x 12 i/d high nitrile		8 716 140 836 0		LPG	■											
1	O-Ring 4 x 12 i/d high nitrile		8 716 140 836 0		NG	■											
2	Gas valve		8 716 142 441 0		NG	■											Version code: All Others
2	Gas valve - lpg		8 716 142 447 0		LPG	■											AAC,ADI,AEJ,AFG,AFH
2	Gas valve - lpg		8 716 156 702 0		LPG	■											Version code: All Others
2	Gas valve		8 716 156 703 0		NG	■											AAC,ADI,AEJ,AFG,AFH
3	Manifold-burner		8 716 143 028 0		LPG	■											
3	Manifold-burner		8 716 143 028 0		NG	■											
4	Pressure feedback nipple		8 716 156 316 0		LPG	■											
4	Pressure feedback nipple		8 716 156 316 0		NG	■											
5	Flow switch replacement kit 350		8 716 146 140 0		LPG	■											
5	Flow switch replacement kit 350		8 716 146 140 0		NG	■											
6	Flow regulator type E-W 12 litre red		8 716 141 061 0	18	LPG	■											
6	Flow regulator type E-W 12 litre red		8 716 141 061 0	18	NG	■											
7	Flow regulator vari.grn/violet		8 716 141 140 0		LPG	■											
7	Flow regulator vari.grn/violet		8 716 141 140 0		NG	■											
8	Gauze filter		8 716 148 401 0		LPG	■											
8	Gauze filter		8 716 148 401 0		NG	■											
9	Reed proximity switch		8 716 120 863 0		LPG	■											BEFORE October 1993
9	Reed proximity switch		8 716 120 863 0		NG	■											BEFORE October 1993
9	Harness-prox switch assy		8 716 121 129 0		LPG	■											AFTER October 1993
9	Harness-prox switch assy		8 716 121 129 0		NG	■											AFTER October 1993
10	Screw m3 x 8mm taptite pozi p/h z/p		2 914 411 023 0		LPG	■											AFTER October 1993
10	Screw m3 x 8mm taptite pozi p/h z/p		2 914 411 023 0		NG	■											AFTER October 1993
10	Screw m3 x 12 pan head pozizp		2 914 411 025 0		LPG	■											BEFORE October 1993
10	Screw m3 x 12 pan head pozizp		2 914 411 025 0		NG	■											BEFORE October 1993
11	Solenoid diverter val/Washers		8 716 142 474 0		LPG	■											
11	Solenoid diverter val/Washers		8 716 142 474 0		NG	■											
12	Washer 15mm (thick)		8 716 140 917 0		LPG	■											
12	Washer 15mm (thick)		8 716 140 917 0		NG	■											
13	Plate heat exchanger		8 716 101 976 0		LPG	■											AAC,ADI,AEC,AED,AFG,AFH,AFJ,AEK AGZ
13	Plate heat exchanger		8 716 101 976 0		NG	■											AJD, AJE, AMF, AMG
13	DHW heat exch/O-Rings & washer		8 716 142 907 0		NG	■											AAC,ADI,AEC,AED,AFG,AFH,AFJ,AEK AGZ
13	DHW heat exch/O-Rings & washer		8 716 142 907 0		LPG	■											AJD,AJE,AMF,AMG
14	Pipe - domestic water assembly		8 716 120 442 0		LPG	■											
14	Pipe - domestic water assembly		8 716 120 442 0		NG	■											
15	Temperature probe c/w Washer		8 716 142 315 0		LPG	■											
15	Temperature probe c/w Washer		8 716 142 315 0		NG	■											
16	M5x12 cone pointed hx hd Screw		8 716 155 013 0		LPG	■											
16	M5x12 cone pointed hx hd Screw		8 716 155 013 0		NG	■											
17	O-ring 16,64x3,53		8 716 140 831 0		LPG	■											
17	O-ring 16,64x3,53		8 716 140 831 0		NG	■											
18	Manifold-gas inlet		8 716 143 029 0		LPG	■											
18	Manifold-gas inlet		8 716 143 029 0		NG	■											
19	Screw m5x10mm hex/slotted head		2 911 131 152 0	08	LPG	■											
19	Screw m5x10mm hex/slotted head		2 911 131 152 0	08	NG	■											
21	Keep plate locking plate		8 716 100 433 0		LPG	■											
21	Keep plate locking plate		8 716 100 433 0		NG	■											
22	Pipe - c/h flow assy 0346		8 716 120 631 0		LPG	■											
22	Pipe - c/h flow assy 0346		8 716 120 631 0		NG	■											
23	Pipe - flow assembly		8 716 120 630 0		LPG	■											
23	Pipe - flow assembly		8 716 120 630 0		NG	■											
<b>350-FSN 350-FSP</b>			Pump / Hydraulic assy D														<b>3</b>

Spare parts list



6720900113.AA

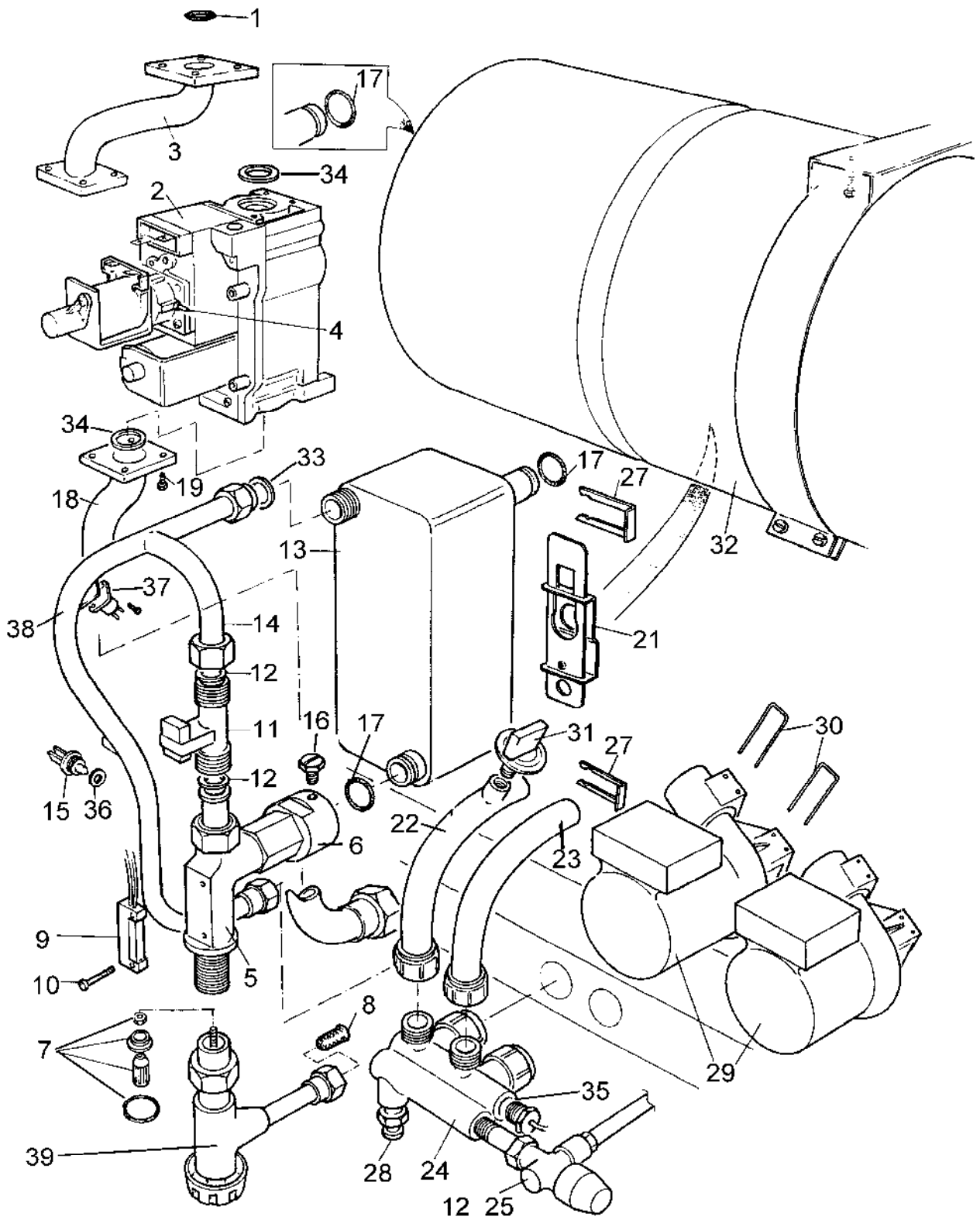
Pump / Hydraulic assy  
D

350-FSN 350-FSP

3

Pos	description	S-Nr	ordering no.	PG	gas type	350-FSN	350-FSP											remarks
24	Flow / return manifold kit		8 716 121 481 0		LPG	■												
24	Flow / return manifold kit		8 716 121 481 0		NG	■												
25	Valve pr.rel.1/2 x15mmx1/8		8 716 142 416 0	37	LPG	■												
25	Valve pr.rel.1/2 x15mmx1/8		8 716 142 416 0	37	NG	■												
27	Clip - retaining		8 716 148 320 0		LPG	■												
27	Clip - retaining		8 716 148 320 0		NG	■												
28	Drain Screw		8 716 140 207 0		LPG	■												
28	Drain Screw		8 716 140 207 0		NG	■												
29	Standard 15/60 Pump Head		8 716 113 594 0		LPG	■												
29	Standard 15/60 Pump Head		8 716 113 594 0		NG	■												
29	Pump & O-Rings		8 716 143 103 0		LPG	■												
29	Pump & O-Rings		8 716 143 103 0		NG	■												
30	Wireform spring		8 716 148 321 0	14	LPG	■												
30	Wireform spring		8 716 148 321 0	14	NG	■												
31	Water pressure switch		8 716 146 137 0		LPG	■												
31	Water pressure switch		8 716 146 137 0		NG	■												
32	Expansion vessel 10 litre c/o O-Rings		8 716 142 506 0		LPG	■												
32	Expansion vessel 10 litre c/o O-Rings		8 716 142 506 0		NG	■												
33	Washer 18.6 X 13.5 X 1.5 (10x)		8 710 103 045 0	11	LPG	■												
33	Washer 18.6 X 13.5 X 1.5 (10x)		8 710 103 045 0	11	NG	■												
33	Washer 18.6 x 13.5 x 1.5 (1x)		8 716 115 680 0		LPG	■												
33	Washer 18.6 x 13.5 x 1.5 (1x)		8 716 115 680 0		NG	■												
34	Washer fibre 8.0 x 5.1 x 1.0		8 716 140 911 0		LPG	■												
34	Washer fibre 8.0 x 5.1 x 1.0		8 716 140 911 0		NG	■												
35	Washer		8 716 140 912 0	02	LPG	■												
35	Washer		8 716 140 912 0	02	NG	■												
36	Washers (seci-sud sensors)		8 716 140 914 0		LPG	■												
36	Washers (seci-sud sensors)		8 716 140 914 0		NG	■												
37	T/stat elmwood		8 716 142 318 0		LPG	■												
37	T/stat elmwood		8 716 142 318 0		NG	■												
38	DHW outlet assembly		8 716 120 768 0		LPG	■												
38	DHW outlet assembly		8 716 120 768 0		NG	■												
39	Flow switch inlet assy		8 716 120 770 0		LPG	■												
39	Flow switch inlet assy		8 716 120 770 0		NG	■												
	Fibre washer 23.9 X 17.2 X 1.5 (10x)		8 710 103 043 0	12	LPG	■												
	Fibre washer 23.9 X 17.2 X 1.5 (10x)		8 710 103 043 0	12	NG	■												
	Washer 23.9 x 17.2 x 1.5 (X1)		8 716 115 674 0		LPG	■												
	Washer 23.9 x 17.2 x 1.5 (X1)		8 716 115 674 0		NG	■												
	Thermistor lead assembly		8 716 120 872 0		LPG	■												
	Thermistor lead assembly		8 716 120 872 0		NG	■												
	Keep locking plate ass kit		8 716 120 962 0		LPG	■												
	Keep locking plate ass kit		8 716 120 962 0		NG	■												
	Sika f.switch with molex plug		8 716 121 142 0		LPG	■												
	Sika f.switch with molex plug		8 716 121 142 0		NG	■												
	Flow switch outlet assy		8 716 121 144 0		LPG	■												
	Flow switch outlet assy		8 716 121 144 0		NG	■												
	Screw by-pass		8 716 140 254 0		LPG	■												
	Screw by-pass		8 716 140 254 0		NG	■												
	Brass blanking plug		8 716 140 261 0		LPG	■												
	Brass blanking plug		8 716 140 261 0		NG	■												
	Plug brass 1/2 bsp taper sq		8 716 140 262 0		LPG	■												
	Plug brass 1/2 bsp taper sq		8 716 140 262 0		NG	■												
<b>350-FSN 350-FSP</b>			Pump / Hydraulic assy D														<b>3</b>	

# Spare parts list



6720900113.AA

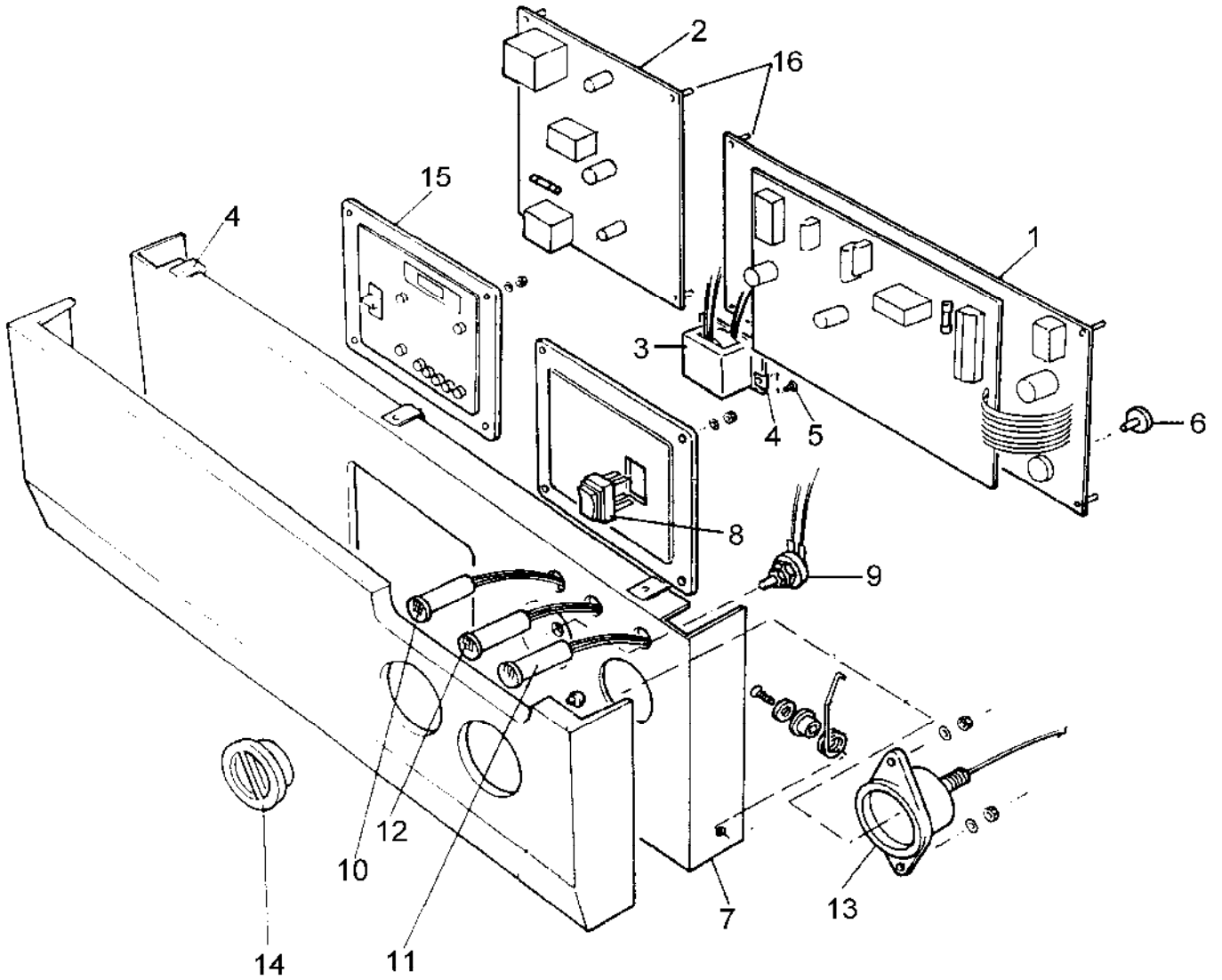
Pump / Hydraulic assy  
D

350-FSN 350-FSP

**3**



# Spare parts list



6720900114.AA

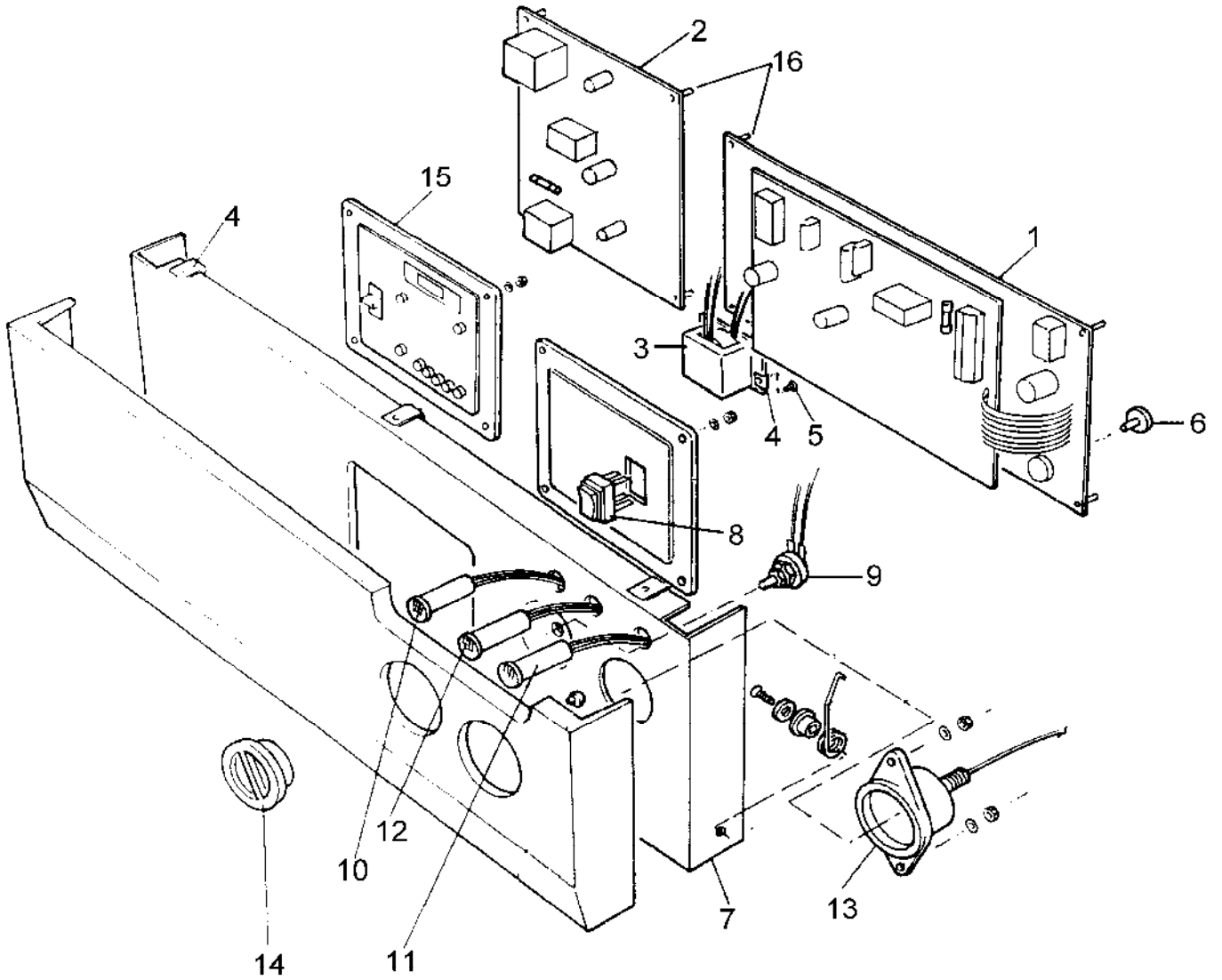
Electrical Box Assembly  
D

350-FSN 350-FSP

4

Pos	description	S-Nr	ordering no.	PG	gas type	350-FSN	350-FSP											remarks
1	Pcb driver board 413000 iss 3		8 716 146 306 0		LPG	■												
1	Pcb driver board 413000 iss 3		8 716 146 306 0		NG	■												
2	Pcb seq. board 413101		8 716 146 307 0		LPG	■												
2	Pcb seq. board 413101		8 716 146 307 0		NG	■												
3	TransTronic Transformer assy		8 716 120 857 0		LPG	■												
3	TransTronic Transformer assy		8 716 120 857 0		NG	■												
4	Nut Captive No:8		8 716 148 204 0	16	LPG	■												
4	Nut Captive No:8		8 716 148 204 0	16	NG	■												
5	Screw no.8x1/2 f/h type b self tap.		2 912 421 225 0	16	LPG	■												
5	Screw no.8x1/2 f/h type b self tap.		2 912 421 225 0	16	NG	■												
6	Potentiometer adjuster - nylon		8 716 141 068 0	15	LPG	■												
6	Potentiometer adjuster - nylon		8 716 141 068 0	15	NG	■												
7	Facia assembly.		8 716 120 804 0		LPG	■												
7	Facia assembly.		8 716 120 804 0		NG	■												
8	Switch arrow200400e839 aa 3pos		8 716 146 106 0		LPG	■												
8	Switch arrow200400e839 aa 3pos		8 716 146 106 0		NG	■												
9	Harness potentiometer		8 716 120 909 0		LPG	■												
9	Harness potentiometer		8 716 120 909 0		NG	■												
10	Lamp amber c/w connectors		8 716 120 861 0		LPG	■												
10	Lamp amber c/w connectors		8 716 120 861 0		NG	■												
11	Lamp green c/w connectors		8 716 120 862 0		LPG	■												
11	Lamp green c/w connectors		8 716 120 862 0		NG	■												
12	Lamp red c/w connectors		8 716 120 860 0		LPG	■												
12	Lamp red c/w connectors		8 716 120 860 0		NG	■												
13	Pressure gauge & Washer		8 716 142 326 0		LPG	■												
13	Pressure gauge & Washer		8 716 142 326 0		NG	■												
13	Pres.gauge (zbunc148) & Washer		8 716 142 356 0		LPG	■												
13	Pres.gauge (zbunc148) & Washer		8 716 142 356 0		NG	■												
14	Knob control		8 716 141 086 0		LPG	■												
14	Knob control		8 716 141 086 0		NG	■												
14	Knob green=grey		8 716 141 116 0		LPG	■												
14	Knob green=grey		8 716 141 116 0		NG	■												
15	Electronic timer-s230e7		7 716 192 008 0		LPG	■												
15	Electronic timer-s230e7		7 716 192 008 0		NG	■												
15	Mechanical timer-s230m1		7 716 192 009 0		LPG	■												
15	Mechanical timer-s230m1		7 716 192 009 0		NG	■												
16	Pillar nylon tehcbcs -8		8 716 141 059 0		LPG	■												
16	Pillar nylon tehcbcs -8		8 716 141 059 0		NG	■												
	Harness - gas valve		8 716 120 823 0		LPG	■												
	Harness - gas valve		8 716 120 823 0		NG	■												
	Harness-grunfoss 860mm		8 716 120 837 0		LPG	■												
	Harness-grunfoss 860mm		8 716 120 837 0		NG	■												
	Harness mains lead		8 716 120 859 0		LPG	■												
	Harness mains lead		8 716 120 859 0		NG	■												
	Harness modureg		8 716 120 865 0		LPG	■												
	Harness modureg		8 716 120 865 0		NG	■												
	Hw tHermistor Harness		8 716 120 866 0		LPG	■												
	Hw tHermistor Harness		8 716 120 866 0		NG	■												
	Harness-water pressure switch		8 716 120 867 0		LPG	■												
	Harness-water pressure switch		8 716 120 867 0		NG	■												
	Gas valve harness hw350		8 716 120 868 0		LPG	■												
	Gas valve harness hw350		8 716 120 868 0		NG	■												
<b>350-FSN 350-FSP</b>			Electrical Box Assembly D															<b>4</b>

# Spare parts list



6720900114.AA

Electrical Box Assembly  
D

350-FSN 350-FSP

4



**ADDITIONAL SPARE PARTS  
FOR APPLIANCE  
NOT DRAWN**

9099

6720900999.AA

Additional Spare Part  
D

**9**

**350-FSN 350-FSP**



## List of translations

Pos				
1				
2				
3				
4				
5				
6				
7				
8				
9				
10				
11				
<b>2</b>				
1				
3				
4				
5				
6				
7				
8				
9				
10				
11				
12				
13				
14				
15				
16				
17				
18				
19				
20				
21				
22				
23				
24				
25				
26				
27				
30				
31				
32				
33				
Pos				
<b>3</b>				
1				
2				
3				
4				
5				
6				
7				
8				
9				
10				







