

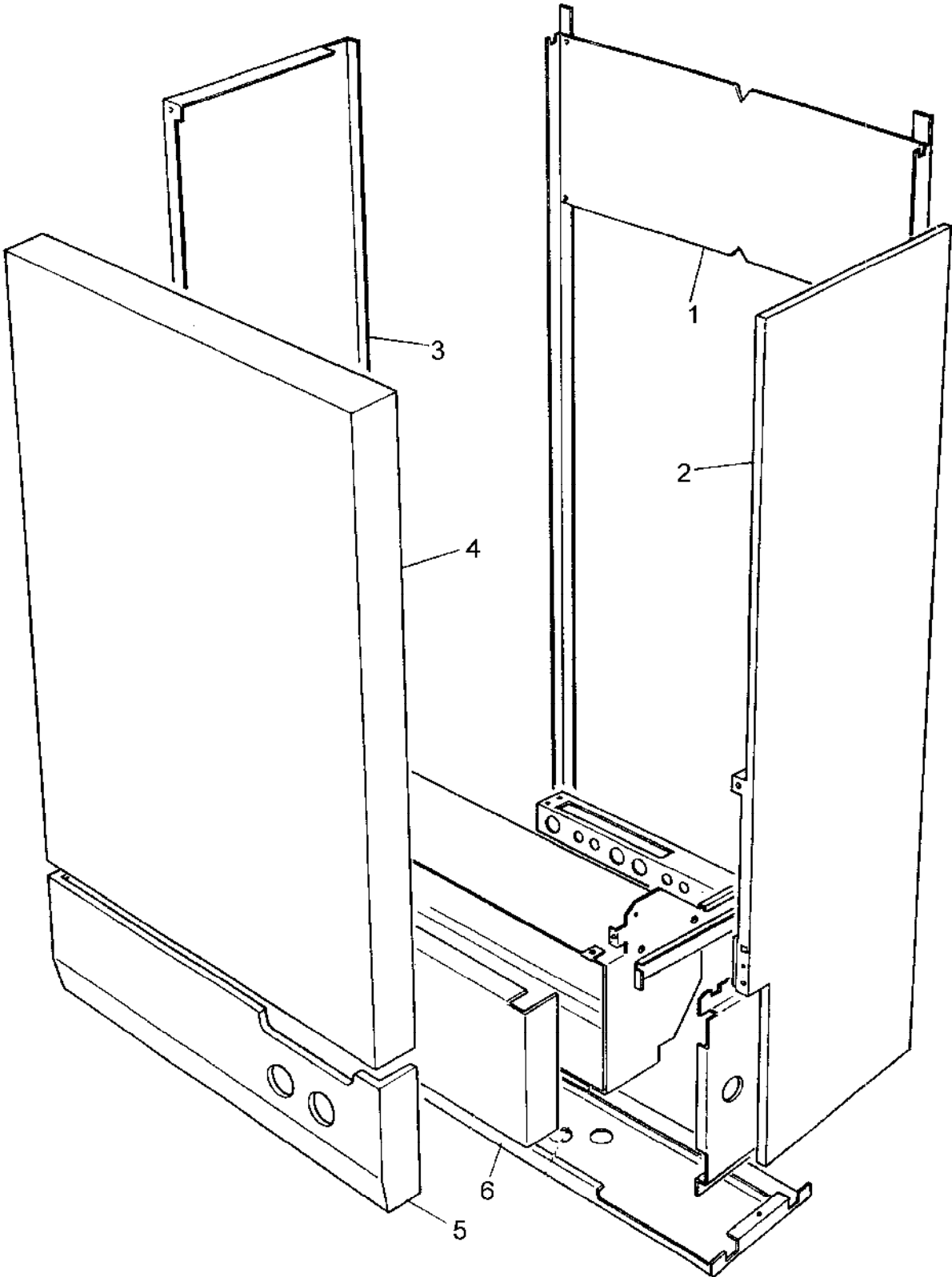
280 RSF

- 1 Casing
- 2 Superstructure
- 3 Pump & Hydraulic Assy
- 4 Electrical Box Assy
- 9 Additional Spare Parts



6720900121.AA

Spare parts list



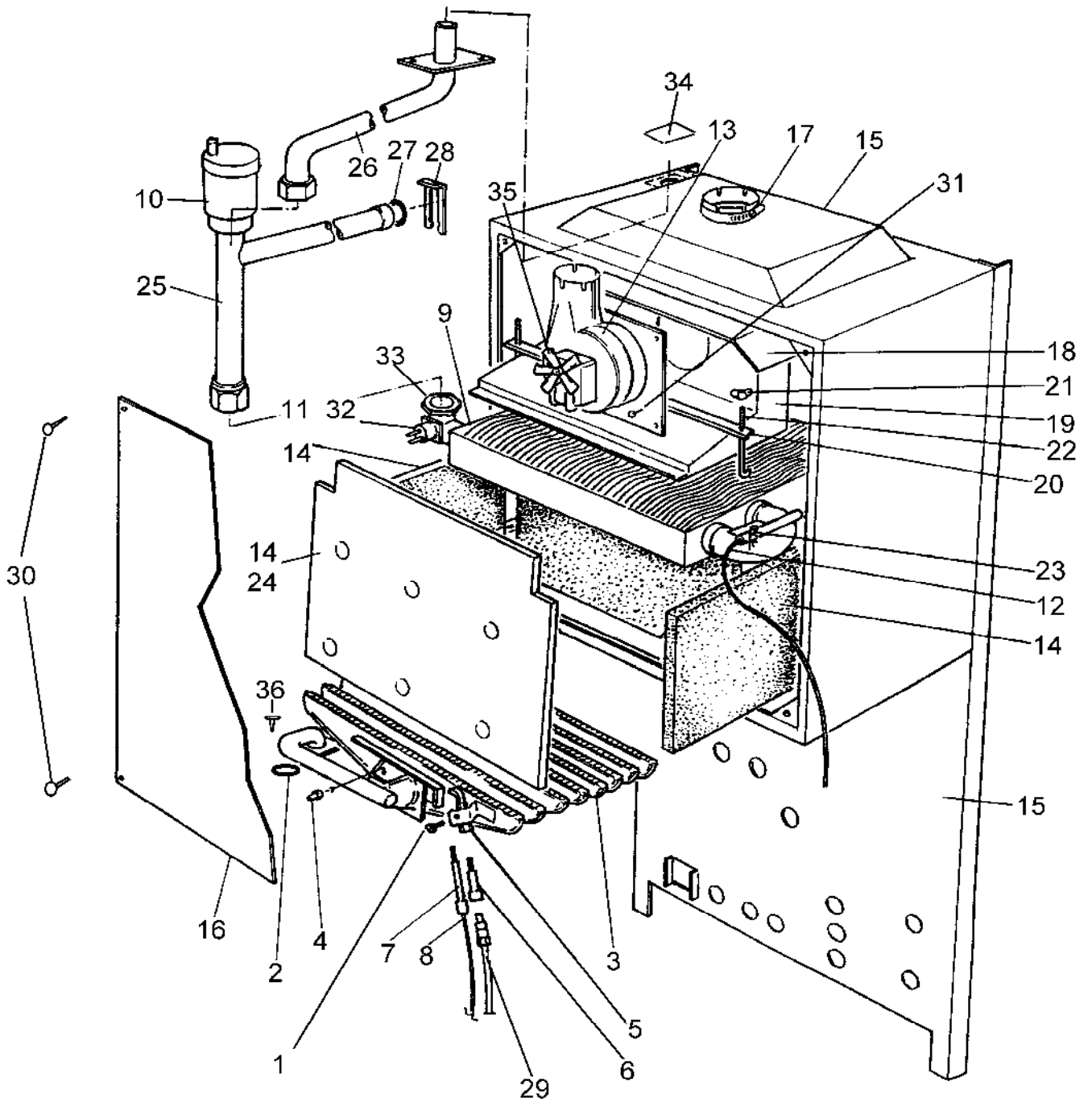
6720900122.AA

Casing
D

280-FSN 280-FSP

1

Spare parts list



6720900123.AA

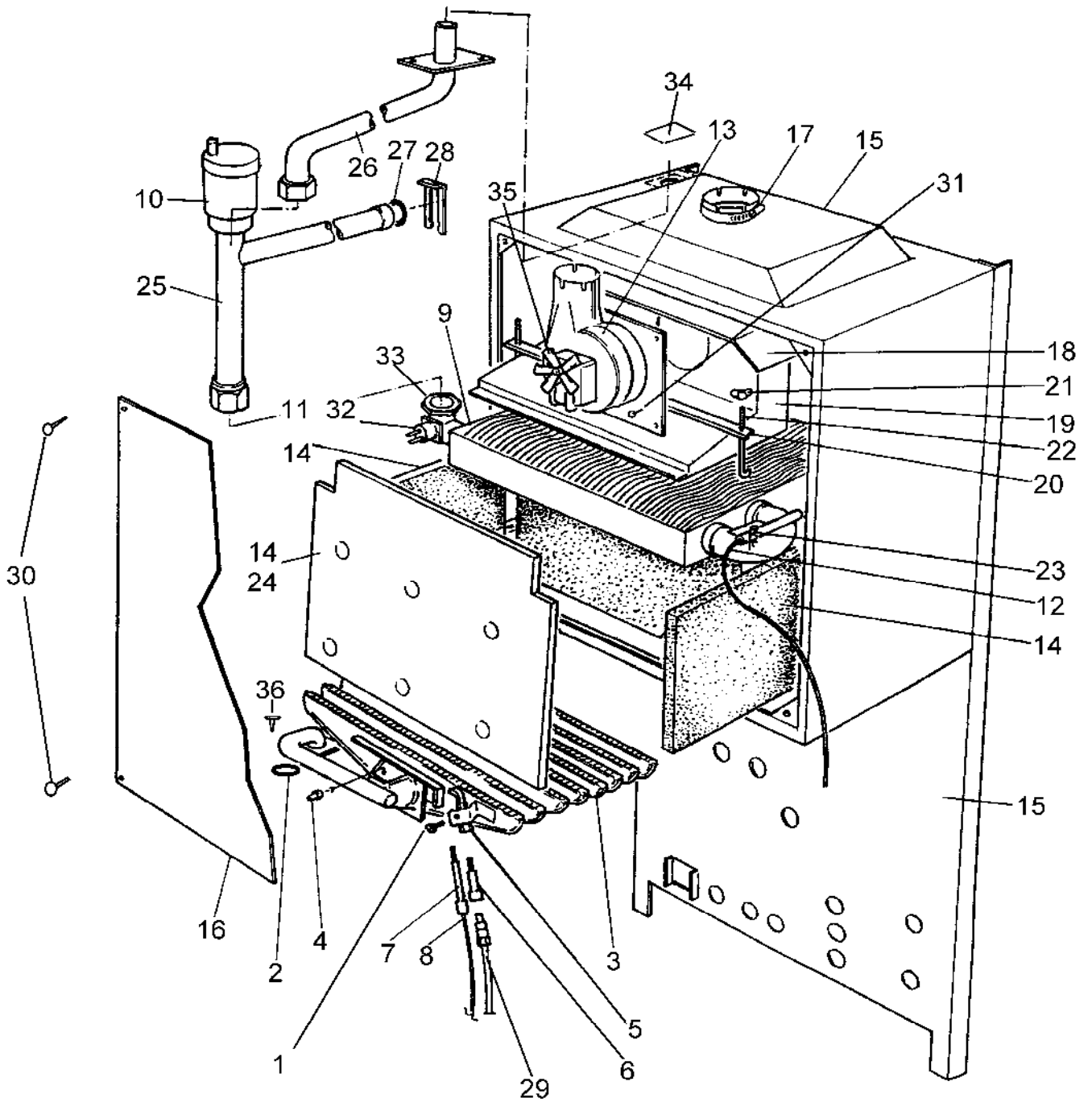
Superstructure
D

280-FSN 280-FSP

2

Pos	description	S-Nr	ordering no.	PG	gas type	280-FSN	280-FSP											remarks
1	Screw m5 x 8 lg hex slot hd		2 911 121 150 0		LPG	■												
1	Screw m5 x 8 lg hex slot hd		2 911 121 150 0		NG	■												
2	O-Ring 4 x 12 i/d high nitrile		8 716 140 836 0		LPG	■												
2	O-Ring 4 x 12 i/d high nitrile		8 716 140 836 0		NG	■												
3	Burner aeromatic ac23/053577		8 716 142 609 0		NG	■												
3	Burner aeromatic ac23/053579		8 716 142 626 0		LPG	■												
4	Main burner injector 4.9mm dia		8 716 156 340 0		NG	■												
5	Pilot burner q385a2002		8 716 142 613 0		LPG	■												
5	Pilot burner q385a2002		8 716 142 613 0		NG	■												
6	Injector(pilot)		8 716 156 300 0		NG	■												
6	Injector(pilot)lpg 45004114004		8 716 156 302 0		LPG	■												
7	Spark electrode		8 716 142 104 0		LPG	■												
7	Spark electrode		8 716 142 104 0		NG	■												
8	Lead assy 0.7ptfe cabLe 1000mm		8 716 146 641 0		LPG	■												
8	Lead assy 0.7ptfe cabLe 1000mm		8 716 146 641 0		NG	■												
9	Gas to water heat exchanger		8 716 142 803 0		LPG	■												
9	Gas to water heat exchanger		8 716 142 803 0		NG	■												
10	Air-vent automatic 3/8 (ss kit)		8 716 140 500 0	35	LPG	■												
10	Air-vent automatic 3/8 (ss kit)		8 716 140 500 0	35	NG	■												
11	Thermistor - sensor		8 716 142 319 0		LPG	■												
11	Thermistor - sensor		8 716 142 319 0		NG	■												
12	T/stat 101 c ranco lm7 p5050		8 716 142 364 0		LPG	■												
12	T/stat 101 c ranco lm7 p5050		8 716 142 364 0		NG	■												
13	Fan assembly lpg		8 716 120 448 0		LPG	■												
13	Fan assembly		8 716 120 493 0		NG	■												
14	Insulation pack		8 716 142 294 0		LPG	■												
14	Insulation pack		8 716 142 294 0		NG	■												
15	Back panel assy		8 716 120 735 0		LPG	■												
15	Back panel assy		8 716 120 735 0		NG	■												
16	Inner casIng front cover assly		8 716 120 488 0		LPG	■												
16	Inner casIng front cover assly		8 716 120 488 0		NG	■												
17	Air duct strap		8 716 148 210 0		LPG	■												
17	Air duct strap		8 716 148 210 0		NG	■												
18	Inner casIng baffle-front		8 716 100 397 0		LPG	■												
18	Inner casIng baffle-front		8 716 100 397 0		NG	■												
19	Collector hood assembly		8 716 120 494 0		LPG	■												
19	Collector hood assembly		8 716 120 494 0		NG	■												
20	Flue hood clamp bar		8 716 100 804 0		LPG	■												
20	Flue hood clamp bar		8 716 100 804 0		NG	■												
21	Nut m4 ms wing zn pl table 1		2 915 191 104 0		LPG	■												
21	Nut m4 ms wing zn pl table 1		2 915 191 104 0		NG	■												
22	J bolt m4 x 126lg zinc plated		8 716 140 542 0		LPG	■												
22	J bolt m4 x 126lg zinc plated		8 716 140 542 0		NG	■												
23	Pin retaining		8 716 148 342 0		LPG	■												
23	Pin retaining		8 716 148 342 0		NG	■												
24	Combustion chamber front assy		8 716 120 491 0		LPG	■												
24	Combustion chamber front assy		8 716 120 491 0		NG	■												
25	Pipe - air vent adapt 0507		8 716 120 483 0		LPG	■												
25	Pipe - air vent adapt 0507		8 716 120 483 0		NG	■												
26	Pipe - open vent assembly 0511		8 716 120 480 0		LPG	■												
26	Pipe - open vent assembly 0511		8 716 120 480 0		NG	■												
27	O-ring 16,64x3,53		8 716 140 831 0		LPG	■												
280-FSN 280-FSP			Superstructure D															2

Spare parts list



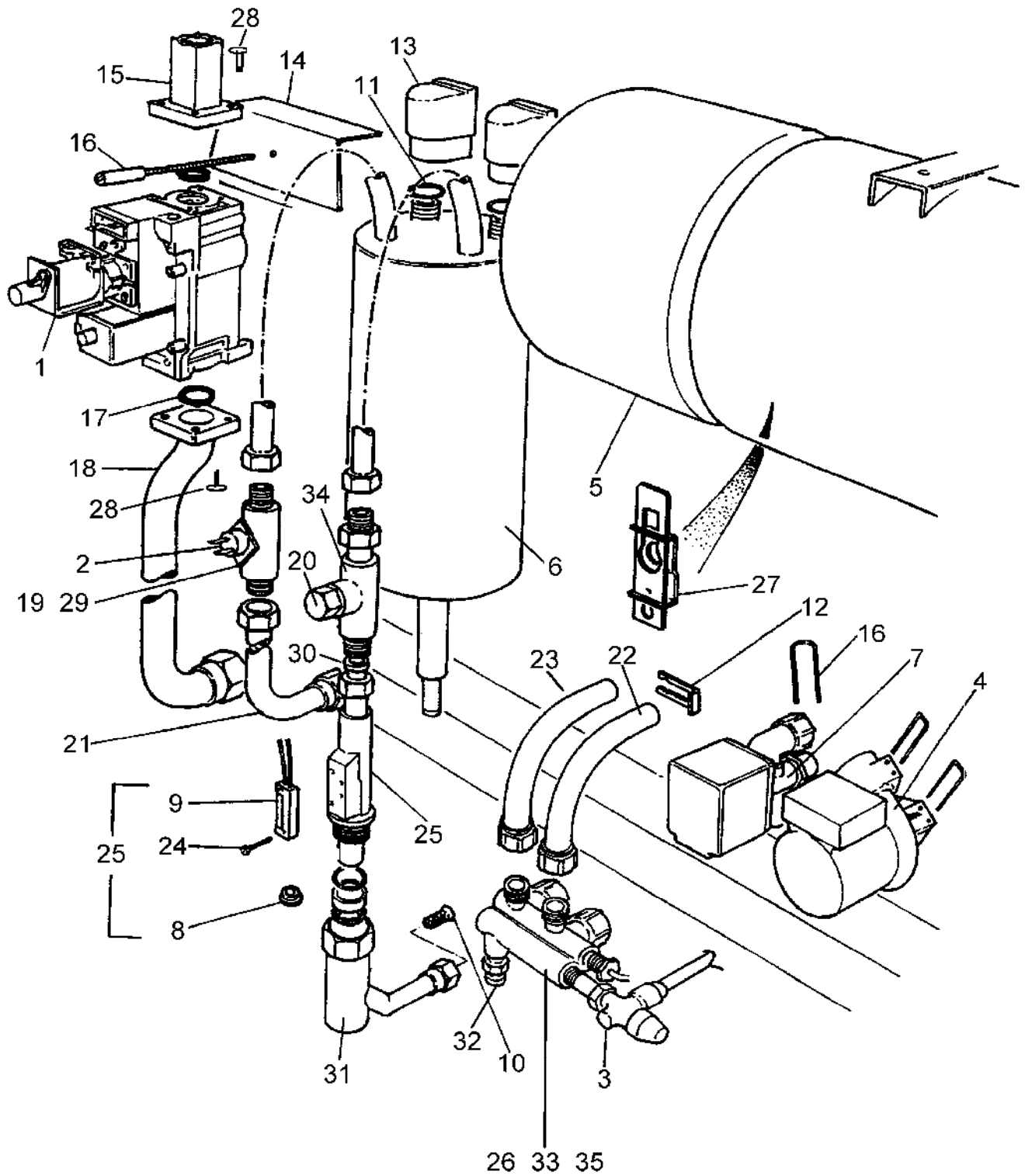
6720900123.AA

Superstructure
D

280-FSN 280-FSP

2

Spare parts list



6720900124.AA

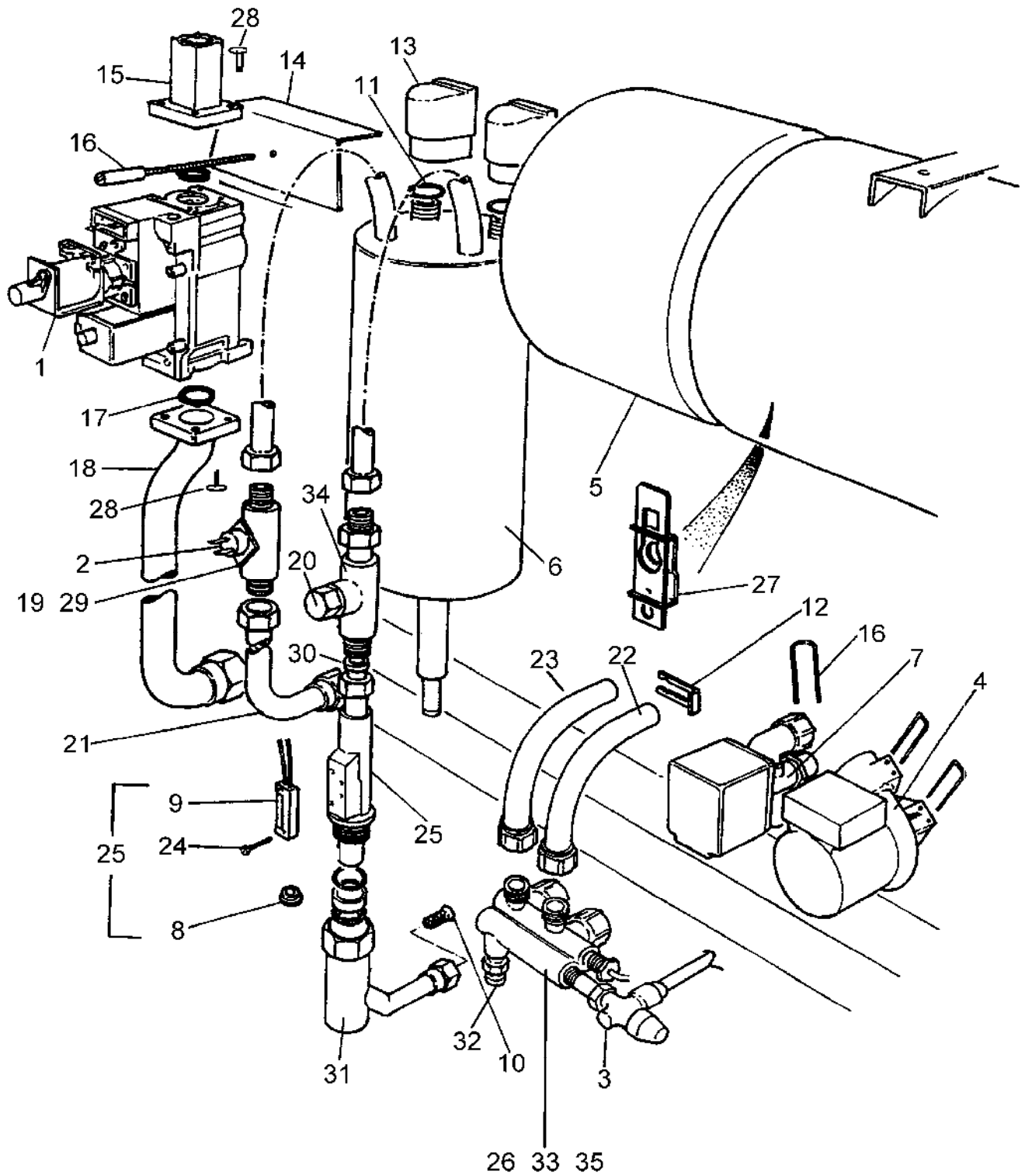
Pump / Hydraulic assy
D

280-FSN 280-FSP

3

Pos	description	S-Nr	ordering no.	PG	gas type	280-FSN	280-FSP										remarks
1	Gas valve vr4601na2006		8 716 142 440 0		NG	■											Version code: All Others
1	Gas valve - lpg vr4601na2014		8 716 142 446 0		LPG	■											
1	Gas valve vr4601n2016b		8 716 156 701 0		NG	■											Version code: ADL, AEB
2	Thermistor - sensor		8 716 142 319 0		LPG	■											
2	Thermistor - sensor		8 716 142 319 0		NG	■											
3	Valve pr.rel.1/2 x15mmx1/8		8 716 142 416 0	37	LPG	■											
3	Valve pr.rel.1/2 x15mmx1/8		8 716 142 416 0	37	NG	■											
4	Standard 15/60 Pump Head		8 716 113 594 0		LPG	■											
4	Standard 15/60 Pump Head		8 716 113 594 0		NG	■											
4	Pump & O-Rings		8 716 143 103 0		LPG	■											
4	Pump & O-Rings		8 716 143 103 0		NG	■											
5	Expansion vessel 10 litre c/o O-Rings		8 716 142 506 0		LPG	■											
5	Expansion vessel 10 litre c/o O-Rings		8 716 142 506 0		NG	■											
6	Heat exchanger with proximity switch		7 716 192 208 0		LPG	■											AEV, AGC, AIN
6	Heat exchanger with proximity switch		7 716 192 208 0		NG	■											AGC, AIN
6	Plate heat exch Alfa		8 716 142 902 0		LPG	■											Version code: All Others
6	Plate heat exch Alfa		8 716 142 902 0		NG	■											Version code: All Others
7	Plug-in diverter valve 490-440		8 716 142 421 0		LPG	■											
7	Plug-in diverter valve 490-440		8 716 142 421 0		NG	■											
8	Flow limiter insert 10lt		8 716 141 057 0	18	LPG	■											
8	Flow limiter insert 10lt		8 716 141 057 0	18	NG	■											
9	Reed proximity switch		8 716 120 863 0		LPG	■											
9	Reed proximity switch		8 716 120 863 0		NG	■											
9	Harness-prox switch assy		8 716 121 129 0		LPG	■											
9	Harness-prox switch assy		8 716 121 129 0		NG	■											
10	Gauze filter		8 716 148 401 0		LPG	■											
10	Gauze filter		8 716 148 401 0		NG	■											
11	O-ring 16,64x3,53		8 716 140 831 0		LPG	■											
11	O-ring 16,64x3,53		8 716 140 831 0		NG	■											
12	Clip - retaining		8 716 148 320 0		LPG	■											
12	Clip - retaining		8 716 148 320 0		NG	■											
13	Adaptor heat exchanger		8 716 148 032 0		LPG	■											
13	Adaptor heat exchanger		8 716 148 032 0		NG	■											
14	Heat exchanger clamp		8 716 100 379 0		LPG	■											
14	Heat exchanger clamp		8 716 100 379 0		NG	■											
15	Manifold gas inlet		8 716 143 031 0		LPG	■											
15	Manifold gas inlet		8 716 143 031 0		NG	■											
16	Wireform spring		8 716 148 321 0	14	LPG	■											
16	Wireform spring		8 716 148 321 0	14	NG	■											
17	O-Ring 3.53 x 25.8 i/d h-nitrile		8 716 140 821 0		LPG	■											
17	O-Ring 3.53 x 25.8 i/d h-nitrile		8 716 140 821 0		NG	■											
18	Pipe - gas inlet		8 716 120 113 0		LPG	■											
18	Pipe - gas inlet		8 716 120 113 0		NG	■											
19	Hot water sensor adaptor		8 716 148 031 0		LPG	■											
19	Hot water sensor adaptor		8 716 148 031 0		NG	■											
20	Mini expansion vessel adaptor		8 716 148 030 0		LPG	■											
20	Mini expansion vessel adaptor		8 716 148 030 0		NG	■											
21	Pipe - dhw outlet assy		8 716 120 104 0		LPG	■											
21	Pipe - dhw outlet assy		8 716 120 104 0		NG	■											
22	Pipe - return assembly 0510		8 716 120 447 0		LPG	■											
22	Pipe - return assembly 0510		8 716 120 447 0		NG	■											
23	Pipe - flow assembly		8 716 120 630 0		LPG	■											
280-FSN 280-FSP			Pump / Hydraulic assy D													3	

Spare parts list



6720900124.AA

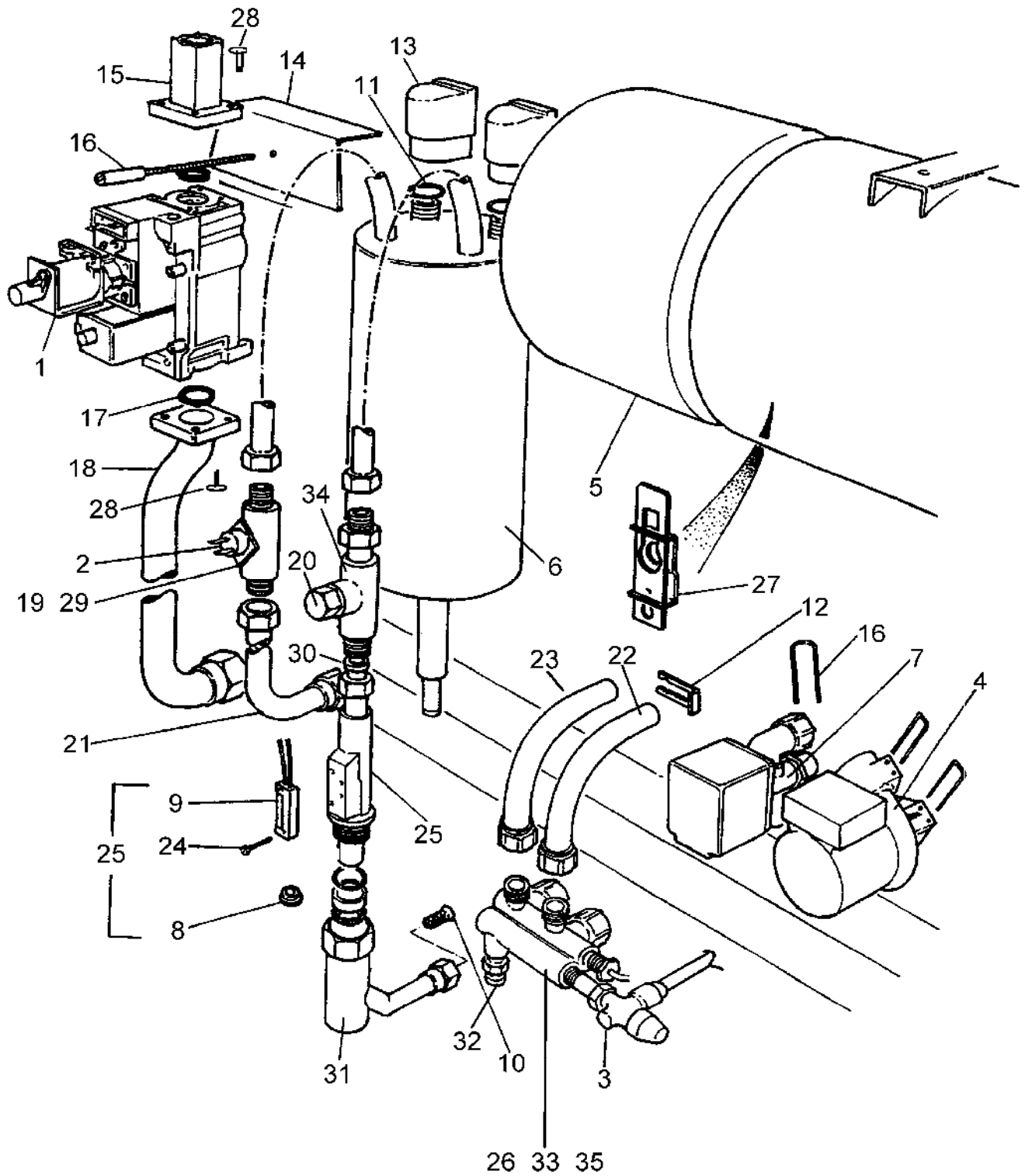
Pump / Hydraulic assy
D

280-FSN 280-FSP

3

Pos	description	S-Nr	ordering no.	PG	gas type	280-FSN	280-FSP											remarks
23	Pipe - flow assembly		8 716 120 630 0		NG	■												
24	Screw m3 x 12 pan head pozizp		2 914 411 025 0		LPG	■												
24	Screw m3 x 12 pan head pozizp		2 914 411 025 0		NG	■												
25	Proximity flow switch replacement kit		8 716 120 763 0		LPG	■												
25	Proximity flow switch replacement kit		8 716 120 763 0		NG	■												
26	Flow / return manifold kit		8 716 121 481 0		LPG	■												
26	Flow / return manifold kit		8 716 121 481 0		NG	■												
27	Keep plate assembly		8 716 121 042 0		LPG	■												
27	Keep plate assembly		8 716 121 042 0		NG	■												
28	Screw m5x10mm hex/slotted head		2 911 131 152 0	08	LPG	■												
28	Screw m5x10mm hex/slotted head		2 911 131 152 0	08	NG	■												
29	Screw m3x6mm zc pl p/h taptite		2 914 411 411 0	18	LPG	■												
29	Screw m3x6mm zc pl p/h taptite		2 914 411 411 0	18	NG	■												
30	Washer 18.6 X 13.5 X 1.5 (10x)		8 710 103 045 0	11	LPG	■												
30	Washer 18.6 X 13.5 X 1.5 (10x)		8 710 103 045 0	11	NG	■												
30	Washer 18.6 x 13.5 x 1.5 (1x)		8 716 115 680 0		LPG	■												
30	Washer 18.6 x 13.5 x 1.5 (1x)		8 716 115 680 0		NG	■												
31	Flow switch inlet assy		8 716 120 770 0		LPG	■												
31	Flow switch inlet assy		8 716 120 770 0		NG	■												
31	Flow switch inlet assembly		8 716 121 143 0		LPG	■												
31	Flow switch inlet assembly		8 716 121 143 0		NG	■												
32	Drain Screw		8 716 140 207 0		LPG	■												
32	Drain Screw		8 716 140 207 0		NG	■												
33	Screw by-pass		8 716 140 254 0		LPG	■												
33	Screw by-pass		8 716 140 254 0		NG	■												
34	Plug brass 1/2 bsp taper sq		8 716 140 262 0		LPG	■												
34	Plug brass 1/2 bsp taper sq		8 716 140 262 0		NG	■												
35	O-Ring 2.40 x 7.60 id nitrile		8 716 140 808 0	17	LPG	■												
35	O-Ring 2.40 x 7.60 id nitrile		8 716 140 808 0	17	NG	■												
	Pipe - dhw inlet assy		8 716 120 102 0		LPG	■												
	Pipe - dhw inlet assy		8 716 120 102 0		NG	■												
	Pipe - primary return assy		8 716 120 109 0		LPG	■												
	Pipe - primary return assy		8 716 120 109 0		NG	■												
	Sika f.switch with molex plug		8 716 120 776 0		LPG	■												
	Sika f.switch with molex plug		8 716 120 776 0		NG	■												
	Adaptor - 3/4 bsp to O-Ring		8 716 140 216 0		LPG	■												
	Adaptor - 3/4 bsp to O-Ring		8 716 140 216 0		NG	■												
	Brass blanking plug		8 716 140 261 0		LPG	■												
	Brass blanking plug		8 716 140 261 0		NG	■												
	Washer		8 716 140 912 0	02	LPG	■												
	Washer		8 716 140 912 0	02	NG	■												
	Washer 24 x 12 x 1.50		8 716 140 919 0		LPG	■												
	Washer 24 x 12 x 1.50		8 716 140 919 0		NG	■												
	Isolator valve 15mm-one c/nut		8 716 142 418 0		LPG	■												
	Isolator valve 15mm-one c/nut		8 716 142 418 0		NG	■												
	Union gas cock 3/4" blk hd f		8 716 142 425 0		LPG	■												
	Union gas cock 3/4" blk hd f		8 716 142 425 0		NG	■												
	Blkhd valve-15mm x 15mm		8 716 142 428 0		LPG	■												
	Blkhd valve-15mm x 15mm		8 716 142 428 0		NG	■												
	Valve - 22mm bulkhead		8 716 142 436 0		LPG	■												
	Valve - 22mm bulkhead		8 716 142 436 0		NG	■												
	Primary flow stamping		8 716 148 007 0		LPG	■												
280-FSN 280-FSP			Pump / Hydraulic assy D															3

Spare parts list



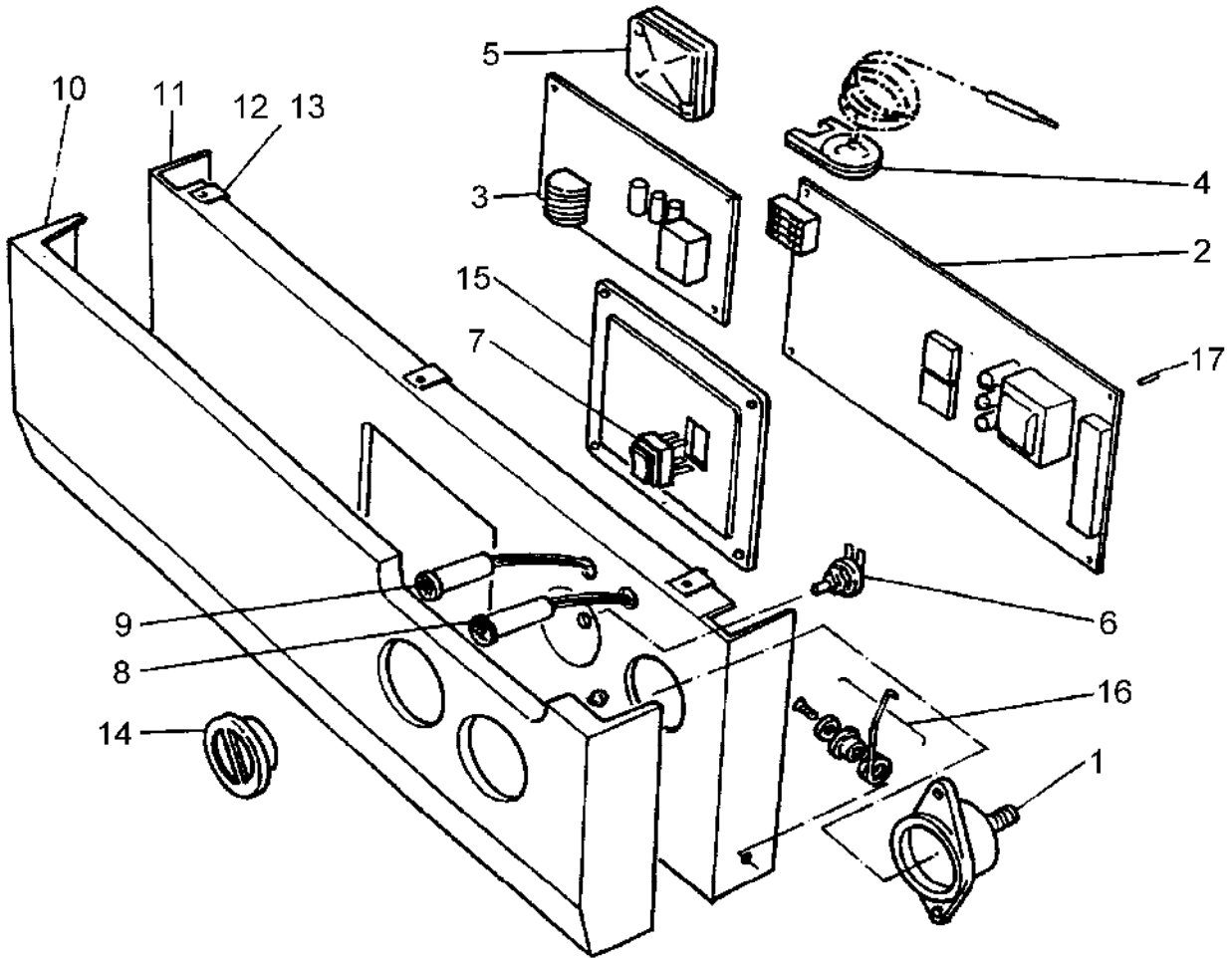
6720900124.AA

Pump / Hydraulic assy
D

280-FSN 280-FSP

3

Spare parts list



6720900125.AA

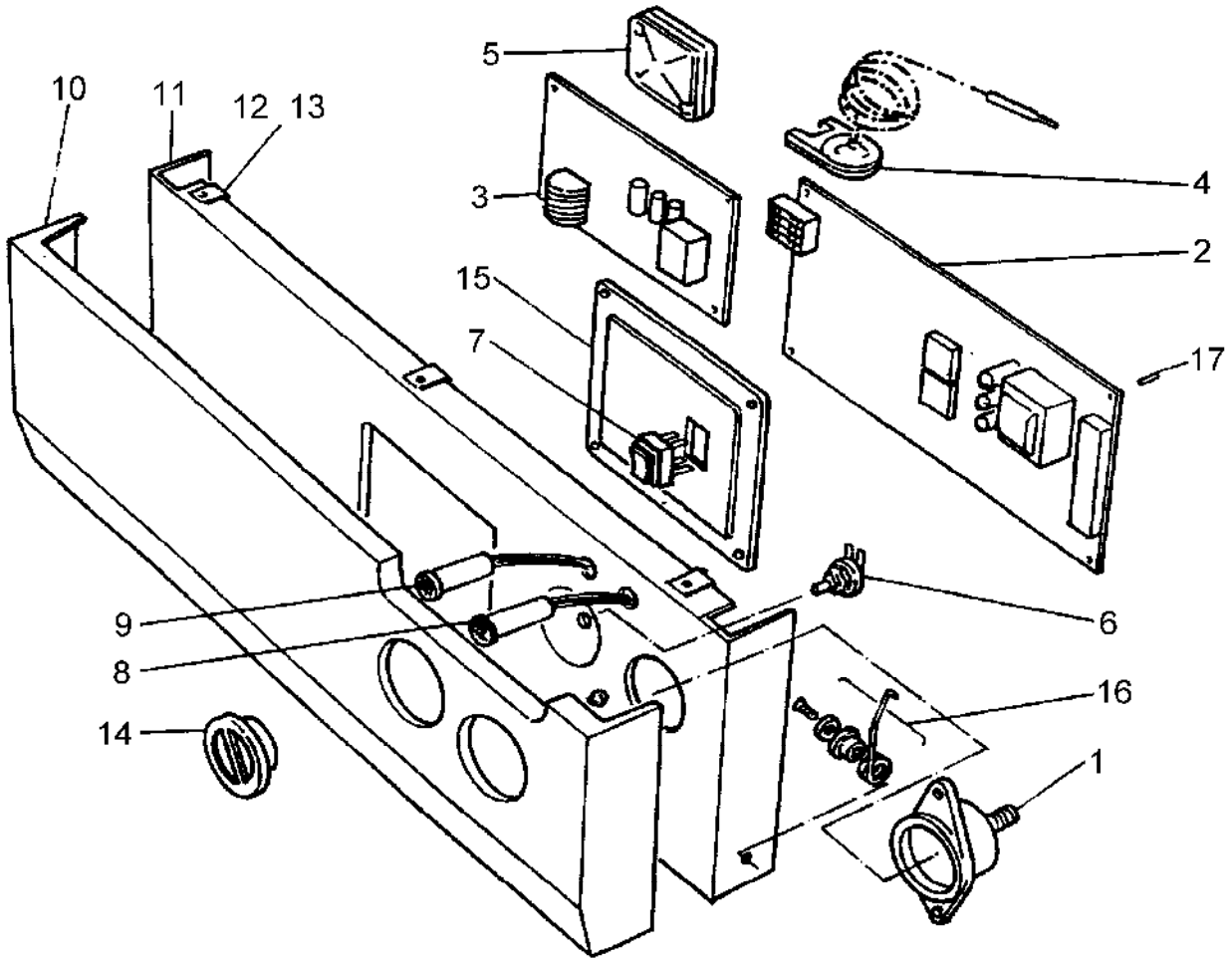
Electrical Box Assembly
D

280-FSN 280-FSP

4

Pos	description	S-Nr	ordering no.	PG	gas type	280-FSN	280-FSP											remarks
1	Pressure gauge & Washer		8 716 142 326 0		LPG	■												
1	Pressure gauge & Washer		8 716 142 326 0		NG	■												
2	Driver board w7075a1005		8 716 146 303 0		LPG	■												
2	Driver board w7075a1005		8 716 146 303 0		NG	■												
3	Ignition control board		8 716 146 305 0		LPG	■												
3	Ignition control board		8 716 146 305 0		NG	■												
4	T/stat 101 c ranco lm7 p5050		8 716 142 364 0		LPG	■												
4	T/stat 101 c ranco lm7 p5050		8 716 142 364 0		NG	■												
5	Differentail pressure switch		8 716 146 138 0		LPG	■												
5	Differentail pressure switch		8 716 146 138 0		NG	■												
6	Harness potentiometer		8 716 120 909 0		LPG	■												
6	Harness potentiometer		8 716 120 909 0		NG	■												
7	Switch arrow200400e839 aa 3pos		8 716 146 106 0		LPG	■												
7	Switch arrow200400e839 aa 3pos		8 716 146 106 0		NG	■												
8	Lamp green c/w connectors		8 716 120 862 0		LPG	■												
8	Lamp green c/w connectors		8 716 120 862 0		NG	■												
9	Lamp amber c/w connectors		8 716 120 861 0		LPG	■												
9	Lamp amber c/w connectors		8 716 120 861 0		NG	■												
10	Facia grey		8 716 141 128 0		LPG	■												
10	Facia grey		8 716 141 128 0		NG	■												
11	Facia assembly		8 716 121 325 0		LPG	■												
11	Facia assembly		8 716 121 325 0		NG	■												
12	Nut Captive No:8		8 716 148 204 0	16	LPG	■												
12	Nut Captive No:8		8 716 148 204 0	16	NG	■												
13	Screw no.8x1/2 f/h type b self tap.		2 912 421 225 0	16	LPG	■												
13	Screw no.8x1/2 f/h type b self tap.		2 912 421 225 0	16	NG	■												
14	Knob control		8 716 141 086 0		LPG	■												
14	Knob control		8 716 141 086 0		NG	■												
15	Inset plate		8 716 141 100 0		LPG	■												
15	Inset plate		8 716 141 100 0		NG	■												
16	Facia spring kit		8 716 148 340 0		LPG	■												
16	Facia spring kit		8 716 148 340 0		NG	■												
17	Pcb pillars kit		8 716 141 148 0		LPG	■												
17	Pcb pillars kit		8 716 141 148 0		NG	■												
	White silicone tubing 5m long		8 716 101 079 0		LPG	■												
	White silicone tubing 5m long		8 716 101 079 0		NG	■												
	Orange silicone tubing 5m long		8 716 101 082 0		LPG	■												
	Orange silicone tubing 5m long		8 716 101 082 0		NG	■												
	Harness - g/vlv mains & pilot		8 716 120 829 0		LPG	■												
	Harness - g/vlv mains & pilot		8 716 120 829 0		NG	■												
	Harness-gas valve main+pilot		8 716 120 834 0		LPG	■												
	Harness-gas valve main+pilot		8 716 120 834 0		NG	■												
	Harness-board to board		8 716 120 836 0		LPG	■												
	Harness-board to board		8 716 120 836 0		NG	■												
	Harness sensor (c.h.)		8 716 120 841 0		LPG	■												
	Harness sensor (c.h.)		8 716 120 841 0		NG	■												
	Harness pressure switch		8 716 120 848 0		LPG	■												
	Harness pressure switch		8 716 120 848 0		NG	■												
	Harness sensor (dhw)		8 716 120 850 0		LPG	■												
	Harness sensor (dhw)		8 716 120 850 0		NG	■												
	Harness mains lead		8 716 120 859 0		LPG	■												
	Harness mains lead		8 716 120 859 0		NG	■												
280-FSN 280-FSP			Electrical Box Assembly D															4

Spare parts list



6720900125.AA

Electrical Box Assembly
D

280-FSN 280-FSP

4

**ADDITIONAL SPARE PARTS
FOR APPLIANCE
NOT DRAWN**

9099

6720900999.AA

Additional Spare Part
D

9

280-FSN 280-FSP

List of translations

Pos				
1				
2				
3				
4				
5				
6				
2				
1				
2				
3				
4				
5				
6				
7				
8				
9				
10				
11				
12				
13				
14				
15				
16				
17				
18				
19				
20				
21				
22				
23				
24				
25				
26				
27				
28				
29				
30				
31				
32				
33				
34				
35				
36				
3				
1				
Pos				
2				
3				
4				
5				
6				
7				
8				
9				
10				
11				

