

# 25SI RSF



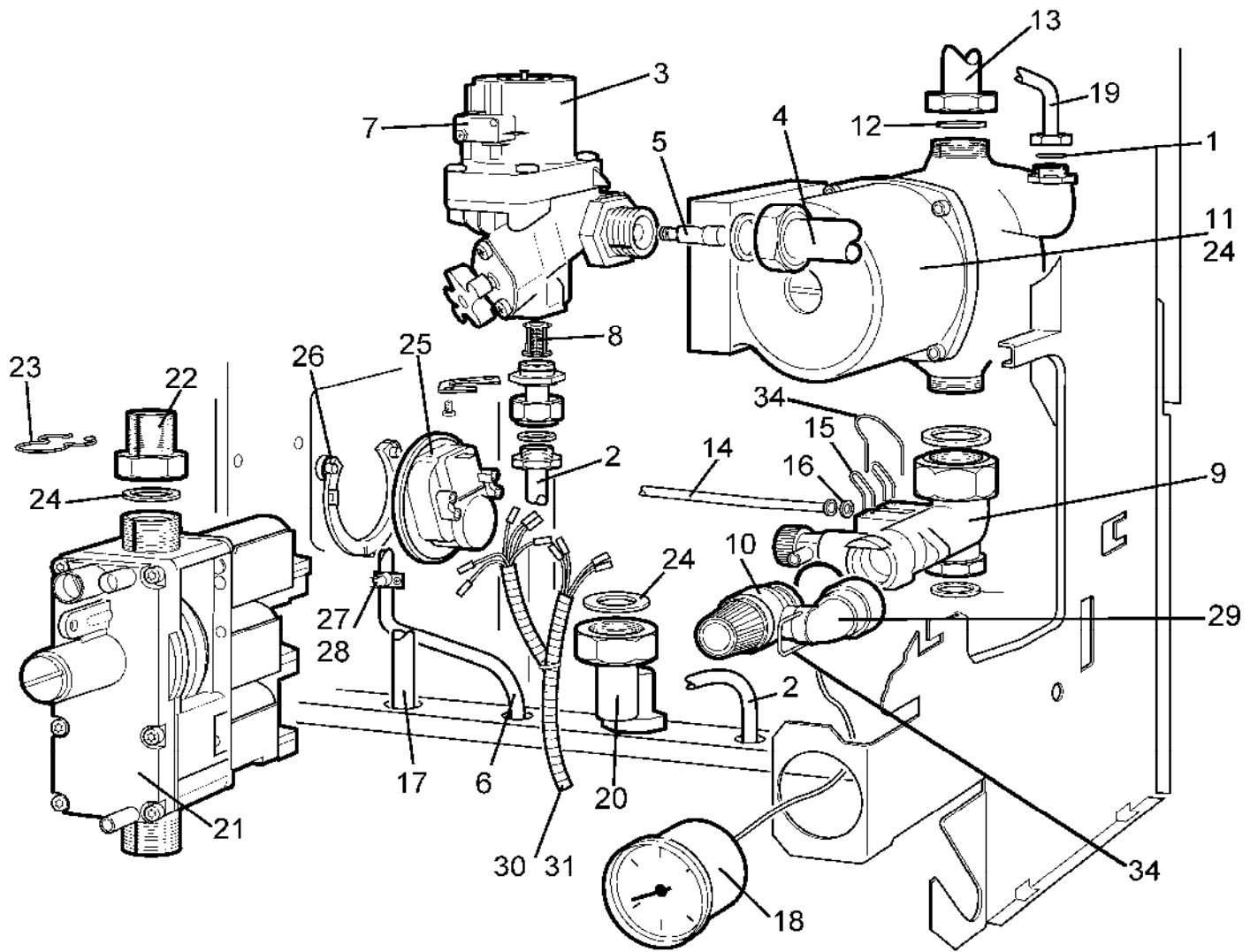
- 1 Hydraulics & Pump Assy
- 2 Superstructure
- 3 Electrical Assy
- 4 Casing
- 5 Wall Mounting Assy
- 9 Additional Spare Parts

6720900091.AA





Spare parts list



6720900092.AA

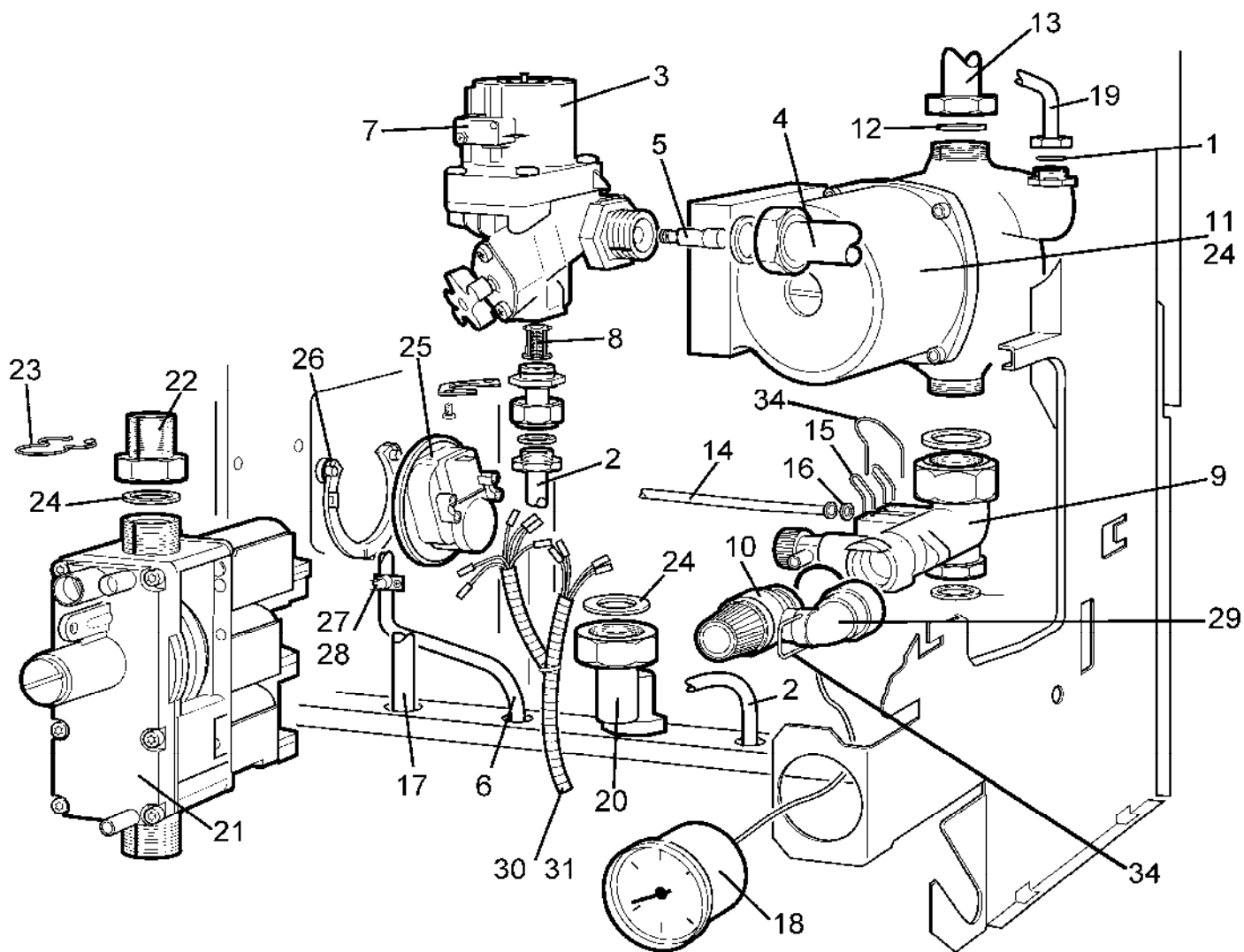
Pump / Hydraulic assy  
D

25SI-FSN 25SI-FSP

1

Pos	description	S-Nr	ordering no.	PG	gas type	25SI-FSN	25SI-FSP											remarks
1	Washer 18.6 X 13.5 X 1.5 (10x)		8 710 103 045 0	11	LPG	■												
1	Washer 18.6 X 13.5 X 1.5 (10x)		8 710 103 045 0	11	NG	■												
1	Washer 18.6 x 13.5 x 1.5 (1x)		8 716 115 680 0		LPG	■												
1	Washer 18.6 x 13.5 x 1.5 (1x)		8 716 115 680 0		NG	■												
2	Pipe - flow switch inlet assembly		8 716 121 558 0		LPG	■												
2	Pipe - flow switch inlet assembly		8 716 121 558 0		NG	■												
3	Water valve		8 717 002 110 0	42	LPG	■												
3	Water valve		8 717 002 110 0	42	NG	■												
4	Pipe - flow dhw assembly		8 716 121 549 0		LPG	■												
4	Pipe - flow dhw assembly		8 716 121 549 0		NG	■												
5	Venturi (d)		8 708 205 194 0	15	LPG	■												
5	Venturi (d)		8 708 205 194 0	15	NG	■												
6	Pipe - return dhw assembly		8 716 121 551 0		LPG	■												
6	Pipe - return dhw assembly		8 716 121 551 0		NG	■												
7	Micro switch		8 716 146 157 0		LPG	■												
7	Micro switch		8 716 146 157 0		NG	■												
8	Water filter		8 716 148 410 0		LPG	■												
8	Water filter		8 716 148 410 0		NG	■												
9	Pump inlet manifold assembly		8 716 121 552 0	44	LPG	■												
9	Pump inlet manifold assembly		8 716 121 552 0	44	NG	■												
10	Pressure relief valve		8 716 156 764 0	31	LPG	■												
10	Pressure relief valve		8 716 156 764 0	31	NG	■												
11	Standard 15/60 Pump Head		8 716 113 594 0		LPG	■												
11	Standard 15/60 Pump Head		8 716 113 594 0		NG	■												
11	Pump grundfos		8 716 143 114 0		LPG	■												
11	Pump grundfos		8 716 143 114 0		NG	■												
12	washer 30.5x22.2x1.5		8 716 140 920 0	13	LPG	■												
12	washer 30.5x22.2x1.5		8 716 140 920 0	13	NG	■												
13	Pipe - return assembly		8 716 121 550 0		LPG	■												
13	Pipe - return assembly		8 716 121 550 0		NG	■												
14	Pipe - byPipe - pass assembly		8 716 121 553 0		LPG	■												
14	Pipe - byPipe - pass assembly		8 716 121 553 0		NG	■												
15	Clip - small wire		8 716 148 323 0		LPG	■												
15	Clip - small wire		8 716 148 323 0		NG	■												
16	O-ring 2.4x5.6 I/D EPDM		8 716 140 838 0	12	LPG	■												
16	O-ring 2.4x5.6 I/D EPDM		8 716 140 838 0	12	NG	■												
17	Pipe - primary flow assembly		8 716 121 548 0		LPG	■												
17	Pipe - primary flow assembly		8 716 121 548 0		NG	■												
18	Pressure gauge 4 bar		8 716 142 388 0		LPG	■												
18	Pressure gauge 4 bar		8 716 142 388 0		NG	■												
19	Pipe - expansion vessel assembly		8 716 121 559 0		LPG	■												
19	Pipe - expansion vessel assembly		8 716 121 559 0		NG	■												
20	Gas inlet manifold assembly		8 716 121 560 0		LPG	■												
20	Gas inlet manifold assembly		8 716 121 560 0		NG	■												
21	Gas valve		8 747 003 381 0	53	LPG	■												
21	Gas valve		8 747 003 381 0	53	NG	■												
22	Adaptor burner to gas valve assembly		8 716 121 617 0		LPG	■												
22	Adaptor burner to gas valve assembly		8 716 121 617 0		NG	■												
23	Clip		8 716 760 233 0	11	LPG	■												
23	Clip		8 716 760 233 0	11	NG	■												
24	Washer 1" (10x)		8 710 103 060 0	15	LPG	■												
24	Washer 1" (10x)		8 710 103 060 0	15	NG	■												
<b>25SI-FSN 25SI-FSP</b>			Pump / Hydraulic assy D															<b>1</b>

Spare parts list



6720900092.AA

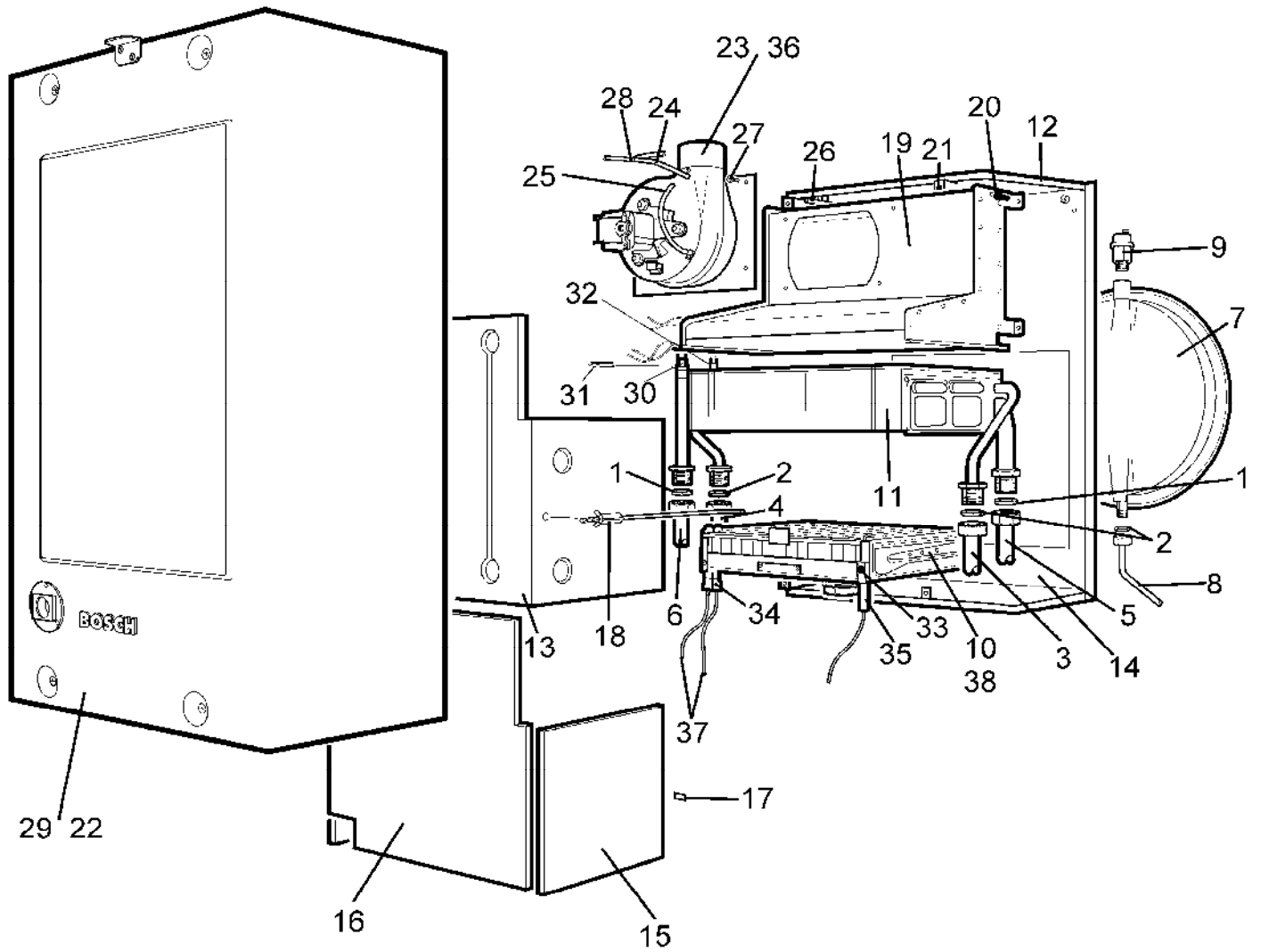
Pump / Hydraulic assy  
D

25SI-FSN 25SI-FSP

1



# Spare parts list



6720900093.AA

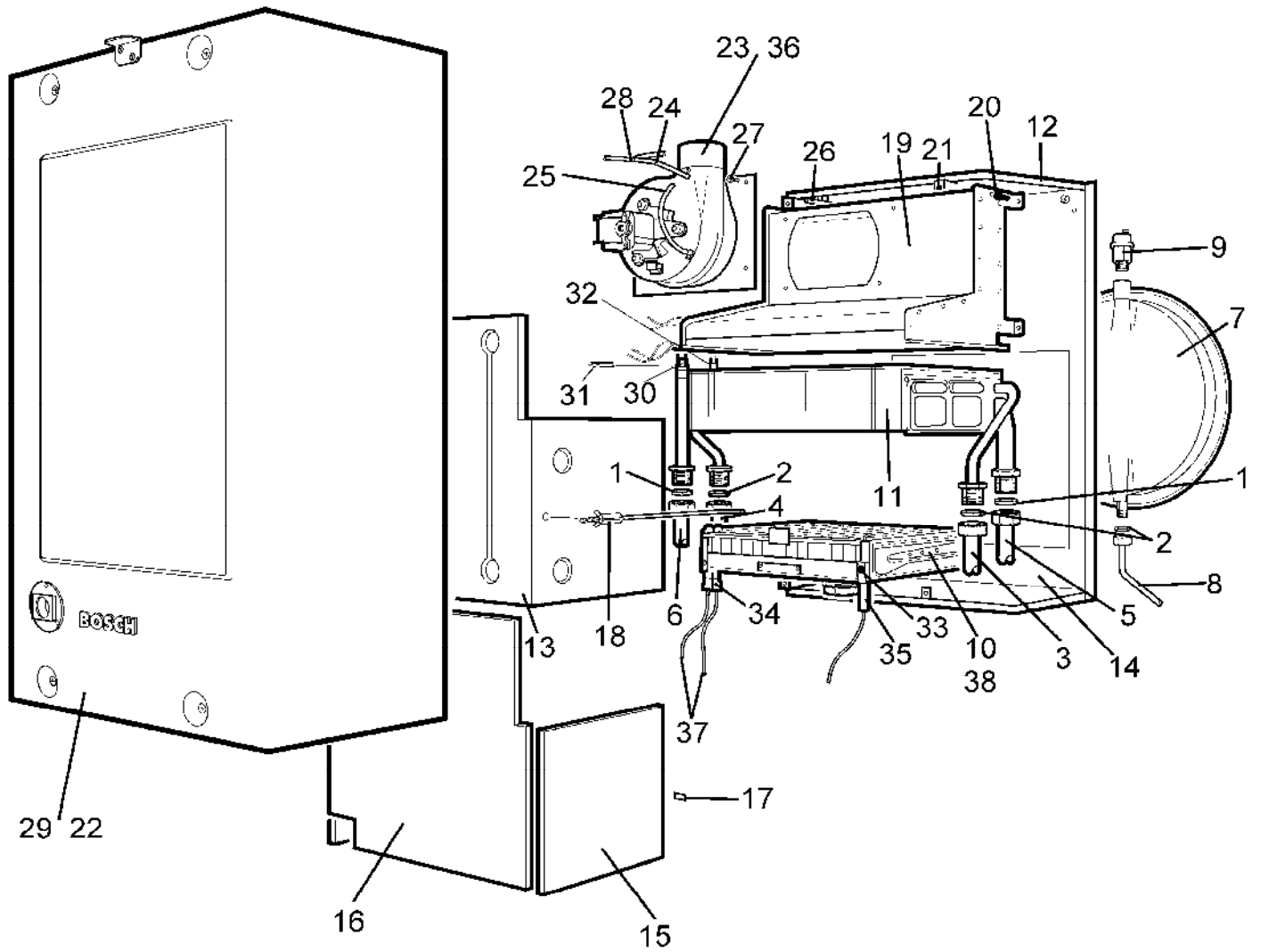
Superstructure  
D

25SI-FSN 25SI-FSP

2

Pos	description	S-Nr	ordering no.	PG	gas type	25SI-FSN	25SI-FSP												remarks
1	Fibre washer 23.9 X 17.2 X 1.5 (10x)		8 710 103 043 0	12	LPG	■													
1	Fibre washer 23.9 X 17.2 X 1.5 (10x)		8 710 103 043 0	12	NG	■													
1	Washer 23.9 x 17.2 x 1.5 (X1)		8 716 115 674 0		LPG	■													
1	Washer 23.9 x 17.2 x 1.5 (X1)		8 716 115 674 0		NG	■													
2	Washer 18.6 X 13.5 X 1.5 (10x)		8 710 103 045 0	11	LPG	■													
2	Washer 18.6 X 13.5 X 1.5 (10x)		8 710 103 045 0	11	NG	■													
2	Washer 18.6 x 13.5 x 1.5 (1x)		8 716 115 680 0		LPG	■													
2	Washer 18.6 x 13.5 x 1.5 (1x)		8 716 115 680 0		NG	■													
3	Pipe - flow dhw assembly		8 716 121 549 0		LPG	■													
3	Pipe - flow dhw assembly		8 716 121 549 0		NG	■													
4	Pipe - return dhw assembly		8 716 121 551 0		LPG	■													
4	Pipe - return dhw assembly		8 716 121 551 0		NG	■													
5	Pipe - return assembly		8 716 121 550 0		LPG	■													
5	Pipe - return assembly		8 716 121 550 0		NG	■													
6	Pipe - primary flow assembly		8 716 121 548 0		LPG	■													
6	Pipe - primary flow assembly		8 716 121 548 0		NG	■													
7	Expansion vessel 8L		8 715 407 154 0	42	LPG	■													
7	Expansion vessel 8L		8 715 407 154 0	42	NG	■													
8	Pipe - expansion vessel assembly		8 716 121 559 0		LPG	■													
8	Pipe - expansion vessel assembly		8 716 121 559 0		NG	■													
9	Automatic purger		8 716 140 504 0	26	LPG	■													
9	Automatic purger		8 716 140 504 0	26	NG	■													
10	Burner si ng		8 718 120 565 0	44	NG	■													
10	Burner 25si lpg		8 718 120 569 0		LPG	■													
11	Heat exchanger assembly		8 716 759 081 0		LPG	■													
11	Heat exchanger assembly		8 716 759 081 0		NG	■													
12	Rear combustion chamber assembly		8 716 101 083 0		LPG	■													
12	Rear combustion chamber assembly		8 716 101 083 0		NG	■													
13	Inner combustion chamber front assy		8 716 105 560 0		LPG	■													
13	Inner combustion chamber front assy		8 716 105 560 0		NG	■													
14	Rear insulation		8 716 156 833 0		LPG	■													
14	Rear insulation		8 716 156 833 0		NG	■													
15	Side insulation		8 716 156 834 0		LPG	■													
15	Side insulation		8 716 156 834 0		NG	■													
16	Front insulation		8 716 156 835 0		LPG	■													
16	Front insulation		8 716 156 835 0		NG	■													
17	Clip - insulation retainer		8 716 148 353 0		LPG	■													
17	Clip - insulation retainer		8 716 148 353 0		NG	■													
18	Retaining bolt assembly		8 716 770 013 0		LPG	■													
18	Retaining bolt assembly		8 716 770 013 0		NG	■													
19	Flue hood assembly		8 716 121 544 0		LPG	■													
19	Flue hood assembly		8 716 121 544 0		NG	■													
20	Screw no.8x1/2 f/h type b self tap.		2 912 421 225 0	16	LPG	■													
20	Screw no.8x1/2 f/h type b self tap.		2 912 421 225 0	16	NG	■													
21	M4 captive nut		8 716 708 495 0		LPG	■													
21	M4 captive nut		8 716 708 495 0		NG	■													
22	Inner case front assembly		8 716 121 542 0		LPG	■													
22	Inner case front assembly		8 716 121 542 0		NG	■													
23	Fan assembly		8 716 121 546 0		LPG	■													
23	Fan assembly		8 716 121 546 0		NG	■													
24	beige silicone tubing 5m long		8 716 101 080 0	27	LPG	■													
24	beige silicone tubing 5m long		8 716 101 080 0	27	NG	■													
<b>25SI-FSN 25SI-FSP</b>			Superstructure D															<b>2</b>	

# Spare parts list



6720900093.AA

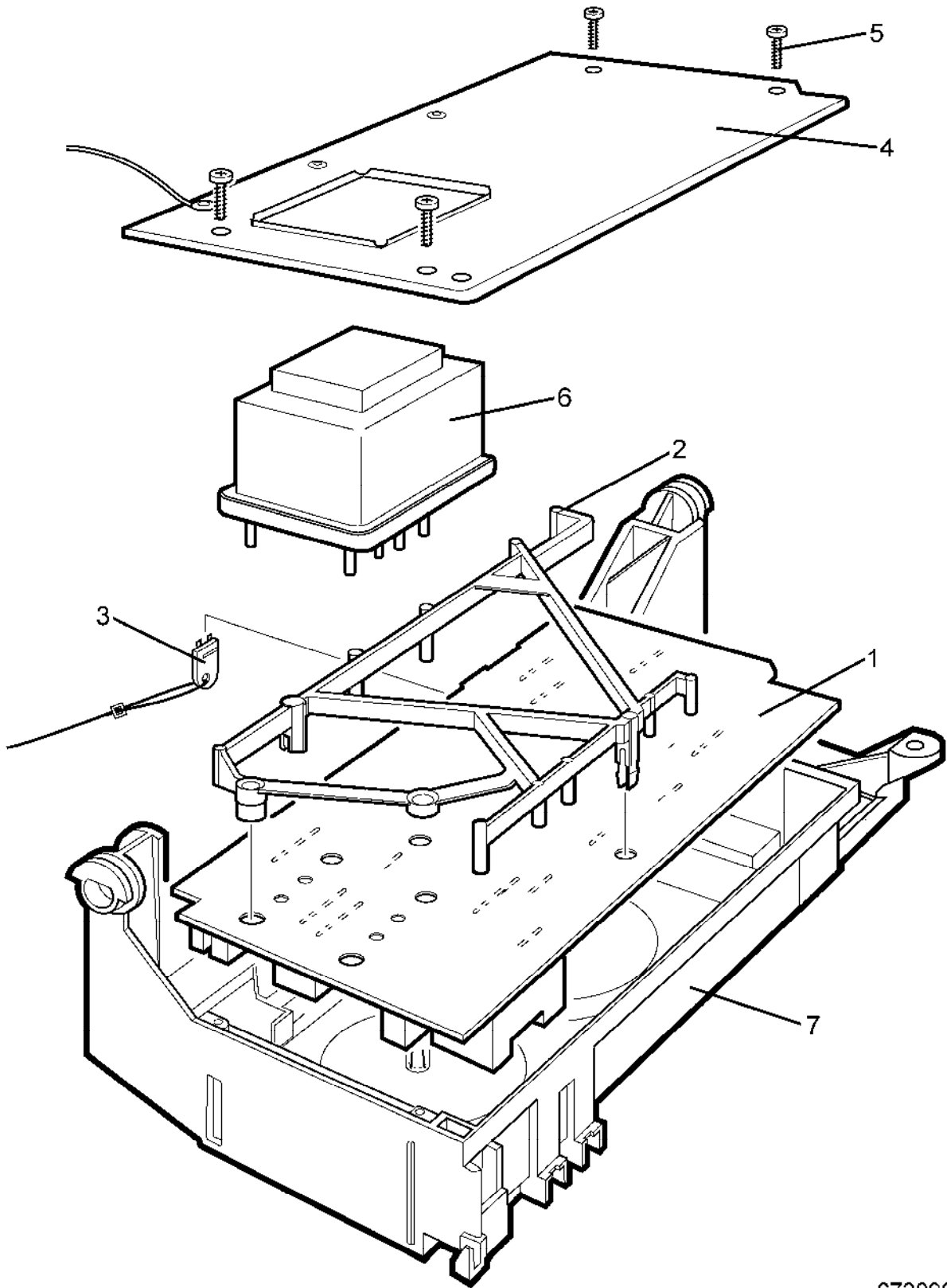
Superstructure  
D

25SI-FSN 25SI-FSP

**2**



# Spare parts list



6720900094.AA

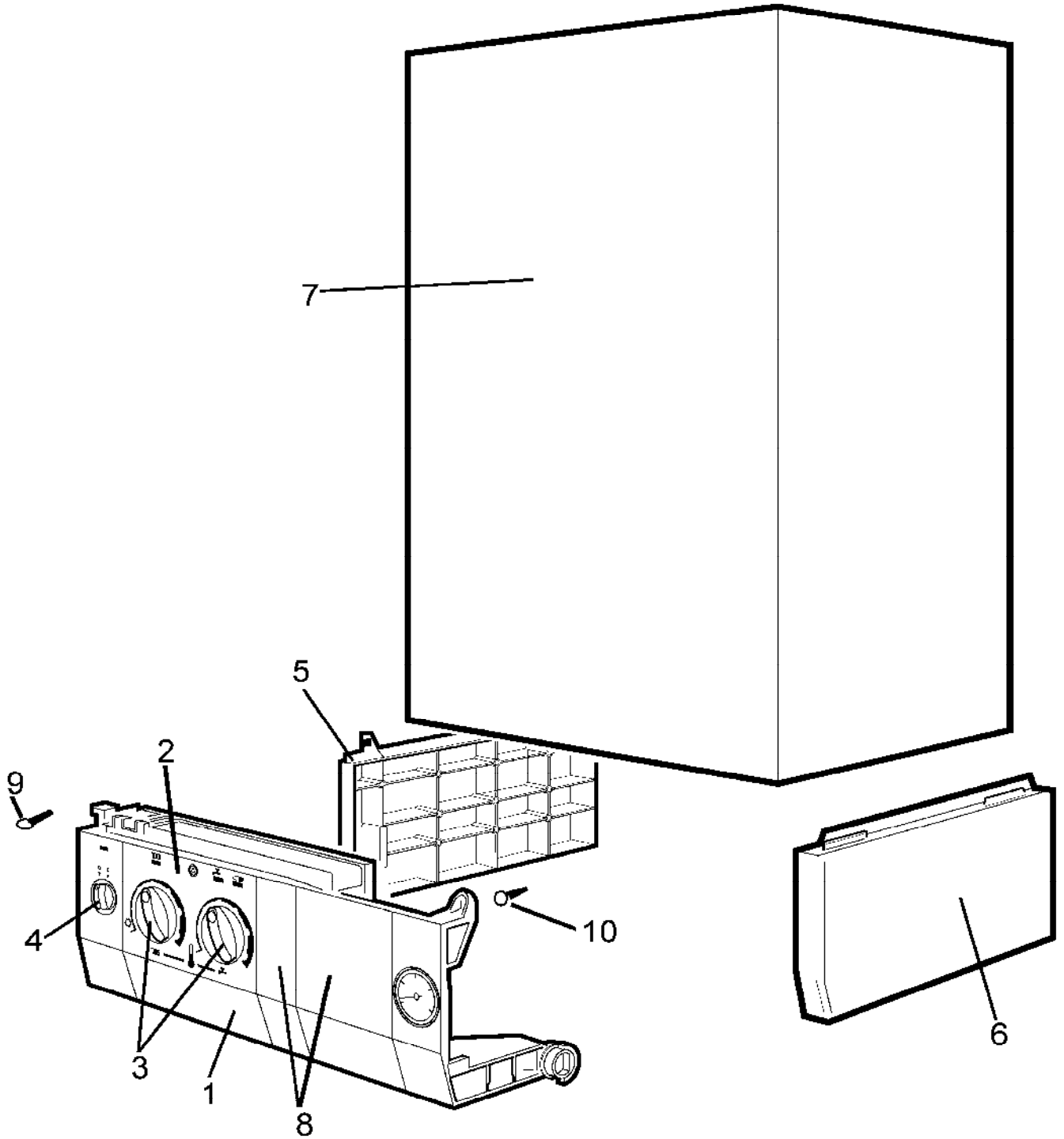
Electrical Box Assembly  
D

25SI-FSN 25SI-FSP

**3**



Spare parts list



6720900095.AA

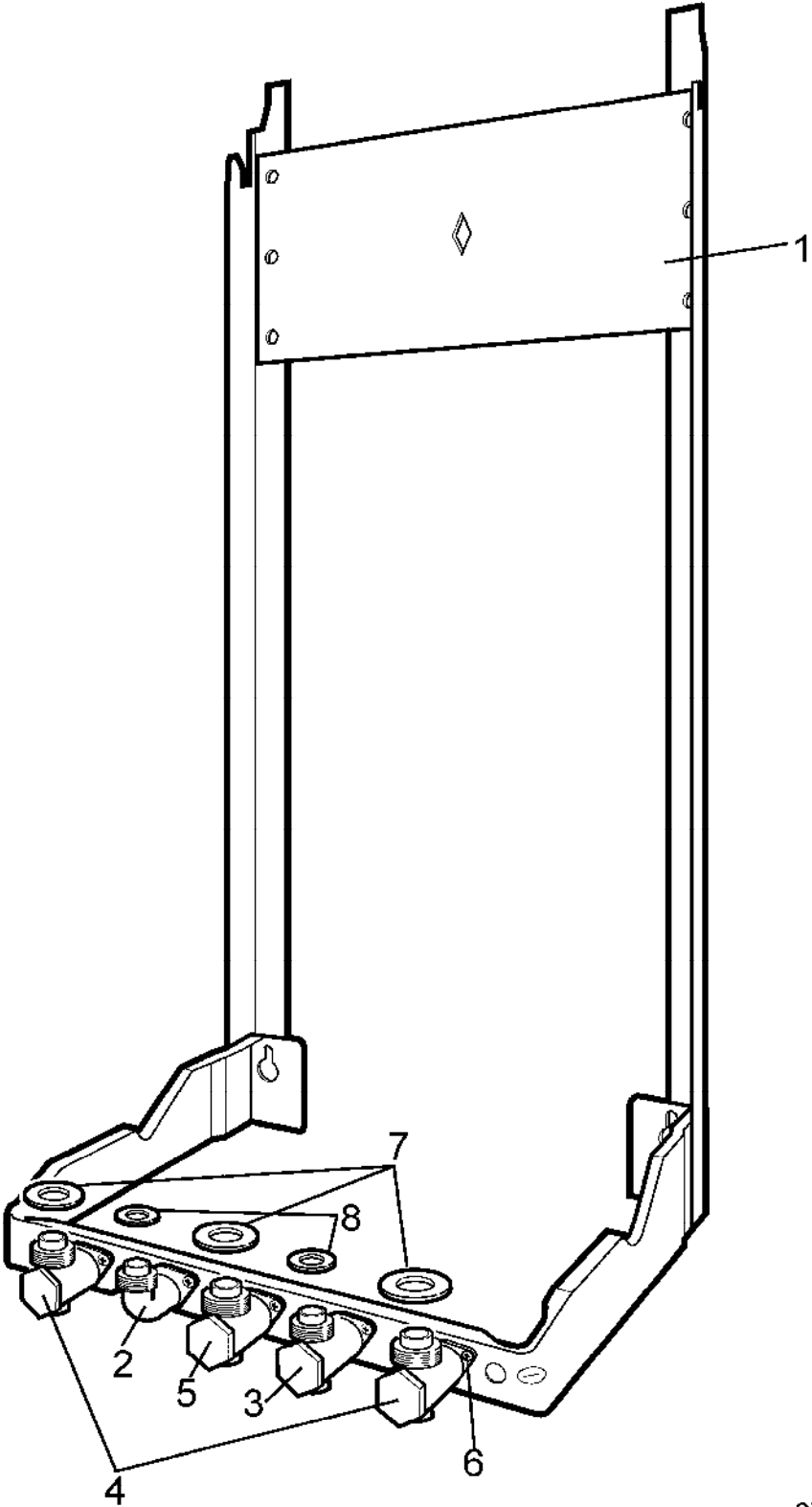
Casing  
D

25SI-FSN 25SI-FSP

4



Spare parts list



6720900096.AA

Wall Mounting assy  
D

25SI-FSN 25SI-FSP

5



**ADDITIONAL SPARE PARTS  
FOR APPLIANCE  
NOT DRAWN**

9099

6720900999.AA

Additional Spare Part  
D

**9**

25SI-FSN 25SI-FSP



**List of translations**

Pos			
1			
2			
3			
4			
5			
6			
7			
8			
9			
10			
11			
12			
13			
14			
15			
16			
17			
18			
19			
20			
21			
22			
23			
24			
25			
26			
27			
28			
29			
30			
31			
34			
<b>2</b>			
1			
2			
3			
4			
5			
6			
7			
8			
9			
10			
11			
12			
13			
14			
15			
16			
17			
18			
19			
20			
21			
Pos			
22			











