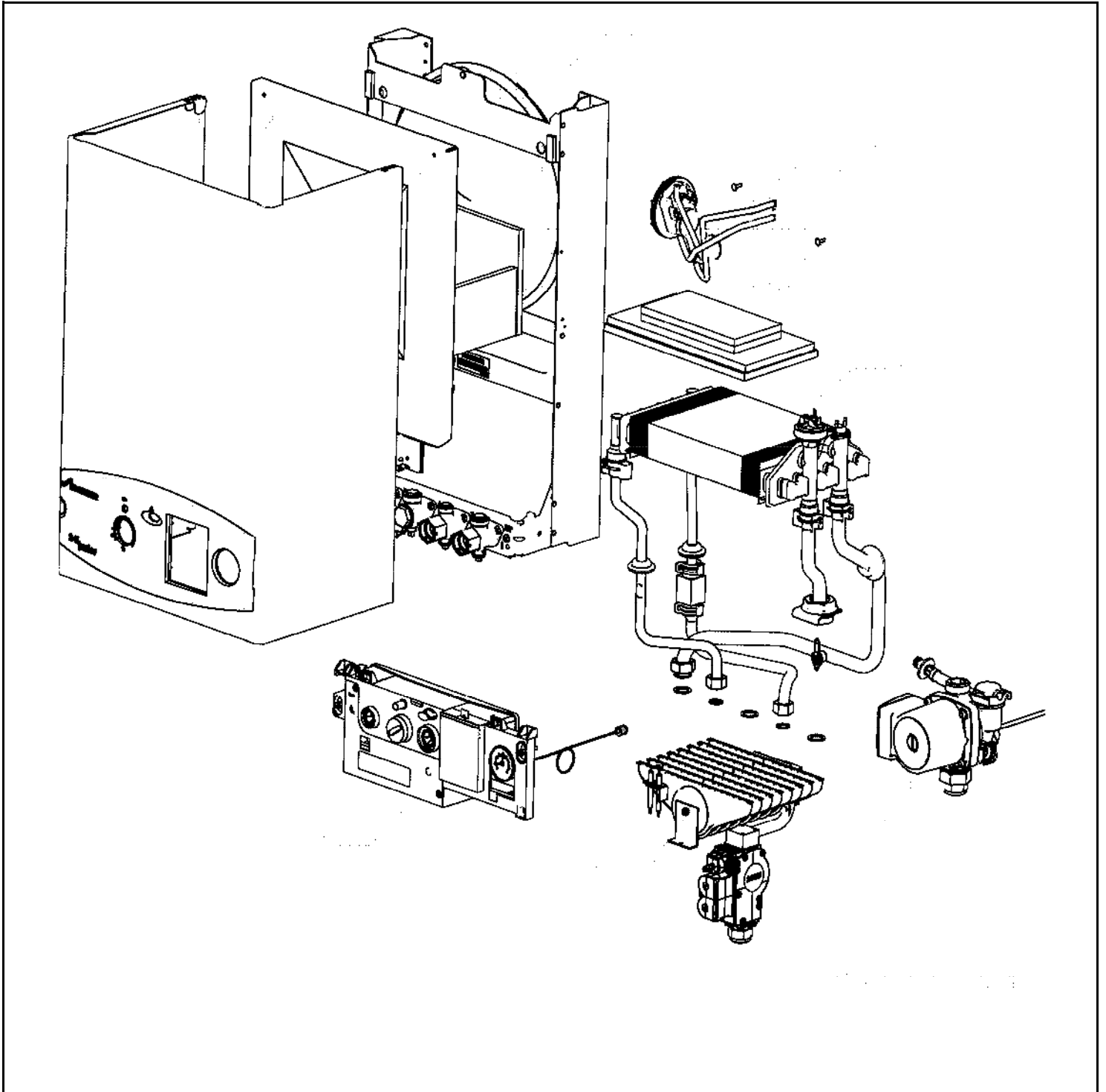


# 24I JUNIOR RSF







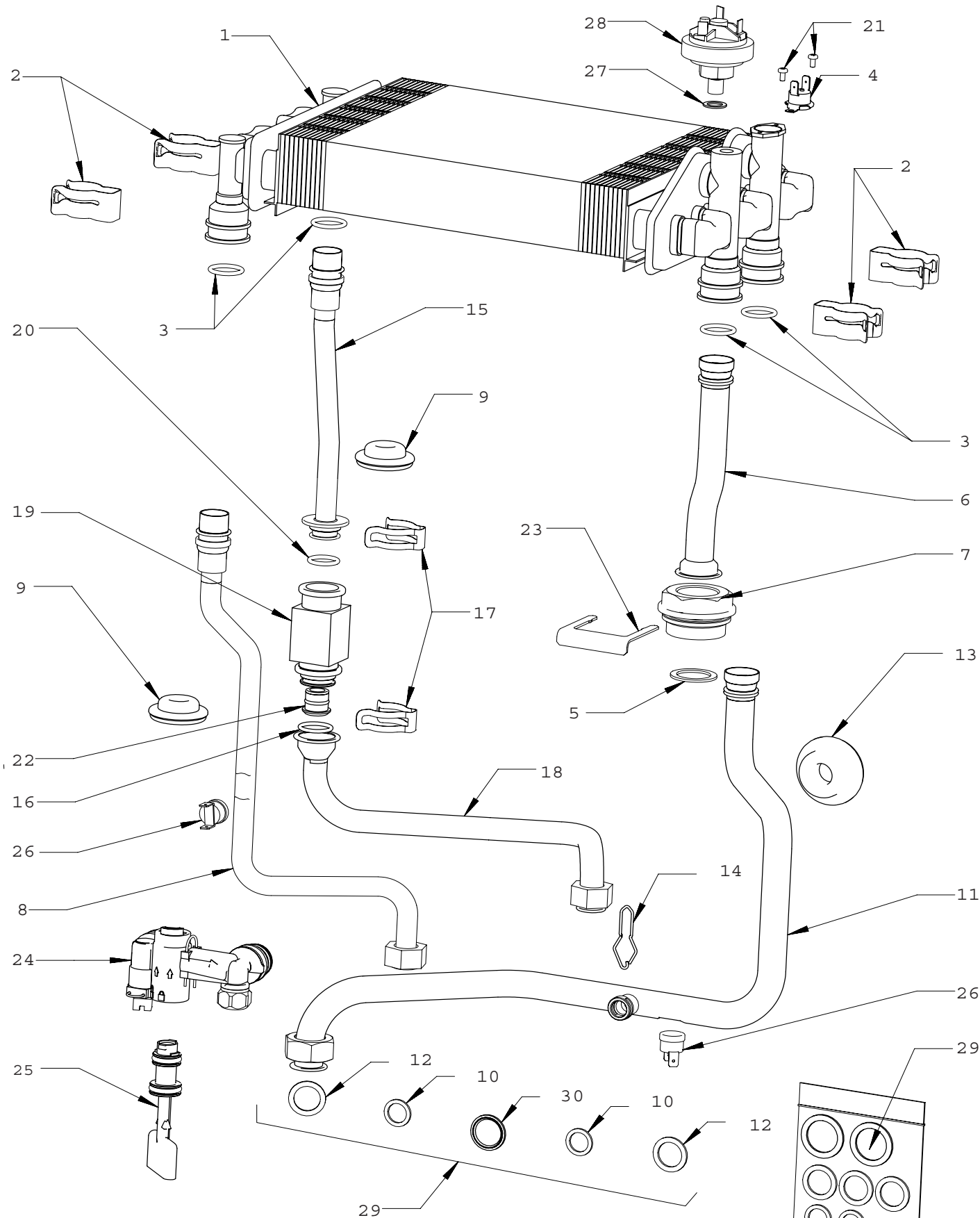


Pos	description	S-Nr	ordering no.	PG	gas type	24i Junior LPG	24i Junior NG											remarks
1	Mantle assembly		8 716 105 659 0		LPG	■												
1	Mantle assembly		8 716 105 659 0		NG		■											
2	Wall frame assembly		8 716 105 647 0		LPG	■												
2	Wall frame assembly		8 716 105 647 0		NG		■											
3	Valve - C.H. (uk)		8 716 156 755 0	26	LPG	■												
3	Valve - C.H. (uk)		8 716 156 755 0	26	NG		■											
4	Connector dhw-out (uk)		8 716 156 384 0	20	LPG	■												
4	Connector dhw-out (uk)		8 716 156 384 0	20	NG		■											
5	Gas cock (uk)		8 716 156 753 0		LPG	■												
5	Gas cock (uk)		8 716 156 753 0		NG		■											
6	Valve - dcw in (uk)		8 716 103 424 0	31	LPG	■												
6	Valve - dcw in (uk)		8 716 103 424 0	31	NG		■											
7	Valve - ch (uk)		8 716 103 423 0	31	LPG	■												
7	Valve - ch (uk)		8 716 103 423 0	31	NG		■											
8	Screw M5x12mm taptite zc pl p/h		2 914 411 403 0	12	LPG	■												
8	Screw M5x12mm taptite zc pl p/h		2 914 411 403 0	12	NG		■											
9	Expansion vessel		8 716 105 545 0	39	LPG	■												
9	Expansion vessel		8 716 105 545 0	39	NG		■											
10	Pressure relief valve 312438		8 716 142 404 0	23	LPG	■												
10	Pressure relief valve 312438		8 716 142 404 0	23	NG		■											
11	Wire form spring (x10)		8 716 771 169 0	12	LPG	■												
11	Wire form spring (x10)		8 716 771 169 0	12	NG		■											
12	Manifold/flexible hose kit		8 716 108 132 0		LPG	■												
12	Manifold/flexible hose kit		8 716 108 132 0		NG		■											
13	Pipe expansion vessel		8 716 105 638 0		LPG	■												
13	Pipe expansion vessel		8 716 105 638 0		NG		■											
14	Clamping spring		8 716 771 167 0	12	LPG	■												
14	Clamping spring		8 716 771 167 0	12	NG		■											
15	O ring 7.59 X 2.62 EP70		8 716 105 792 0		LPG	■												
15	O ring 7.59 X 2.62 EP70		8 716 105 792 0		NG		■											
16	Screw no.8x1/2 f/h type b self tap.		2 912 421 225 0	16	LPG	■												
16	Screw no.8x1/2 f/h type b self tap.		2 912 421 225 0	16	NG		■											
17	Washer fibre 15.0 x 10.0 x 1.0		8 716 140 921 0	12	LPG	■												
17	Washer fibre 15.0 x 10.0 x 1.0		8 716 140 921 0	12	NG		■											
18	Front cover assembly		8 716 105 783 0		LPG	■												
18	Front cover assembly		8 716 105 783 0		NG		■											
19	Silicone sponge		8 716 105 766 0		LPG	■												
19	Silicone sponge		8 716 105 766 0		NG		■											
20	Silicone sponge		8 716 105 767 0		LPG	■												
20	Silicone sponge		8 716 105 767 0		NG		■											
21	Combustion cover assembly		8 716 105 438 0		LPG	■												
21	Combustion cover assembly		8 716 105 438 0		NG		■											
22	Insulation front		8 716 105 538 0		LPG	■												
22	Insulation front		8 716 105 538 0		NG		■											
23	Insulation rear		8 716 105 539 0		LPG	■												
23	Insulation rear		8 716 105 539 0		NG		■											
24	Insulation side		8 716 105 540 0		LPG	■												
24	Insulation side		8 716 105 540 0		NG		■											
25	Insulation set		8 716 105 936 0		LPG	■												
25	Insulation set		8 716 105 936 0		NG		■											
26	Nut Captive No:8		8 716 148 204 0	16	LPG	■												
26	Nut Captive No:8		8 716 148 204 0	16	NG		■											
<b>24i Junior LPG 24i Junior NG</b>			Casing D															<b>1</b>





Spare parts list



Heat exchanger/ Pipes  
D

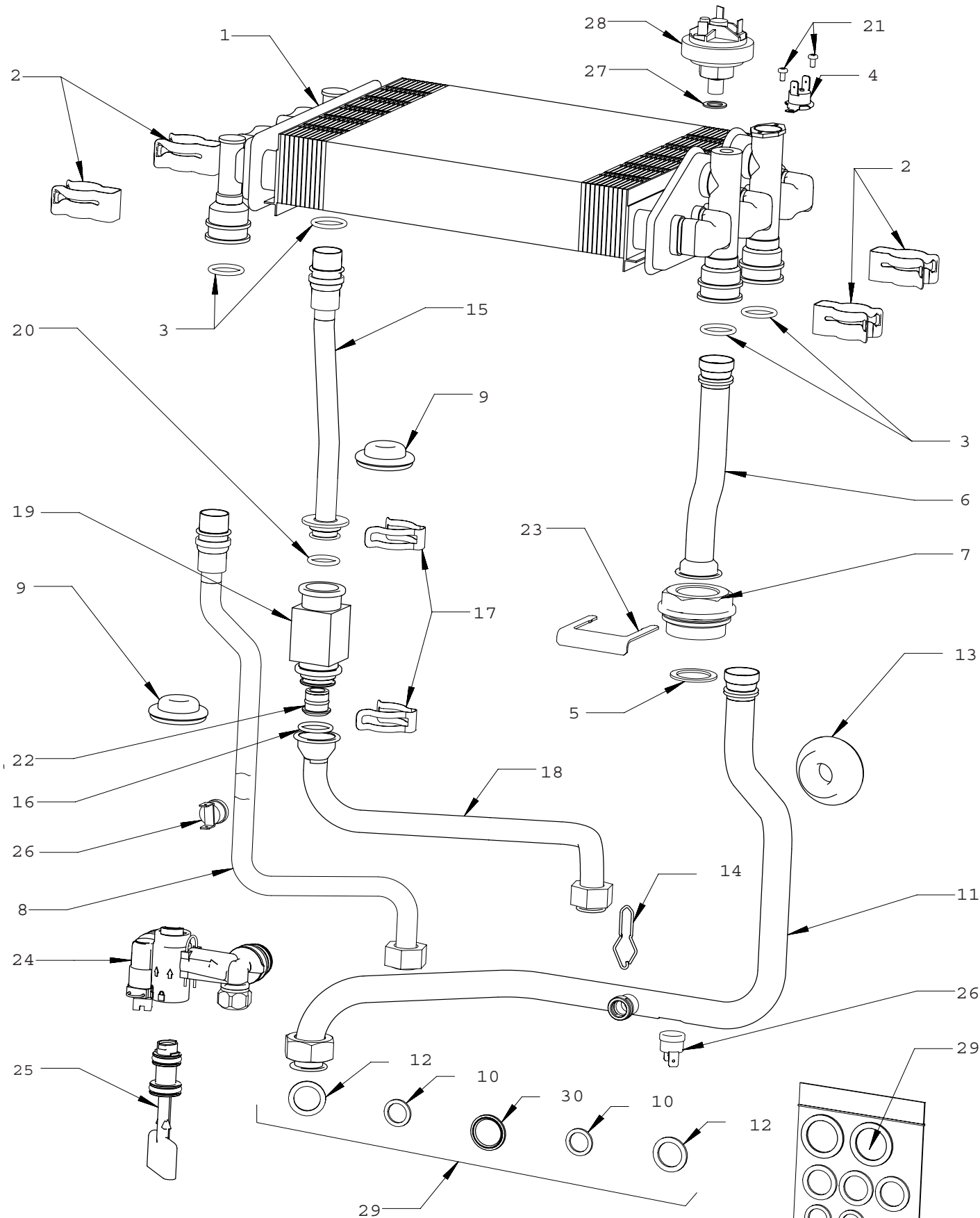
24i Junior LPG 24i Junior NG

6720900189.AF

2

Pos	description	S-Nr	ordering no.	PG	gas type	24i Junior LPG	24i Junior NG											remarks
1	Heat exchanger gas to water bi-thermal		8 716 105 482 0		LPG	■												
1	Heat exchanger gas to water bi-thermal		8 716 105 482 0		NG		■											
2	Clip heatexchanger		8 716 105 649 0		LPG	■												
2	Clip heatexchanger		8 716 105 649 0		NG		■											
3	O-ring 2.62 X 17.86		8 716 140 806 0	15	LPG	■												
3	O-ring 2.62 X 17.86		8 716 140 806 0	15	NG		■											
4	Overheat thermostat		8 716 142 303 0	39	LPG	■												
4	Overheat thermostat		8 716 142 303 0	39	NG		■											
5	Top Hat Washer		8 716 112 317 0		LPG	■												
5	Top Hat Washer		8 716 112 317 0		NG		■											
6	Pipe primary return		8 716 105 567 0		LPG	■												
6	Pipe primary return		8 716 105 567 0		NG		■											
7	Pump outlet connector		8 716 105 655 0		LPG	■												
7	Pump outlet connector		8 716 105 655 0		NG		■											
8	Pipe dhw assembly		8 716 105 479 0		LPG	■												
8	Pipe dhw assembly		8 716 105 479 0		NG		■											
9	Seal-15mm tube		8 716 140 712 0	17	LPG	■												
9	Seal-15mm tube		8 716 140 712 0	17	NG		■											
10	Washer 18.6 X 13.5 X 1.5 (10x)		8 710 103 045 0	11	LPG	■												
10	Washer 18.6 X 13.5 X 1.5 (10x)		8 710 103 045 0	11	NG		■											
10	Washer 18.6 x 13.5 x 1.5 (1x)		8 716 115 680 0		LPG	■												
10	Washer 18.6 x 13.5 x 1.5 (1x)		8 716 115 680 0		NG		■											
11	Pipe primary flow assembly		8 716 105 566 0	36	LPG	■												
11	Pipe primary flow assembly		8 716 105 566 0	36	NG		■											
12	Fibre washer 23.9 X 17.2 X 1.5 (10x)		8 710 103 043 0	12	LPG	■												
12	Fibre washer 23.9 X 17.2 X 1.5 (10x)		8 710 103 043 0	12	NG		■											
12	Washer 23.9 x 17.2 x 1.5 (X1)		8 716 115 674 0		LPG	■												
12	Washer 23.9 x 17.2 x 1.5 (X1)		8 716 115 674 0		NG		■											
13	Seal 18mm		8 716 106 109 0		LPG	■												
13	Seal 18mm		8 716 106 109 0		NG		■											
14	Clip self retaining		8 716 105 773 0		LPG	■												
14	Clip self retaining		8 716 105 773 0		NG		■											
15	Pipe turbine heat exchanger assembly		8 716 105 478 0		LPG	■												
15	Pipe turbine heat exchanger assembly		8 716 105 478 0		NG		■											
16	O-Ring 17.6 ID X 2.4 EP		8 716 140 820 0	02	LPG	■												
16	O-Ring 17.6 ID X 2.4 EP		8 716 140 820 0	02	NG		■											
17	Clamp spring (10x)		8 716 102 607 0	22	LPG	■												
17	Clamp spring (10x)		8 716 102 607 0	22	NG		■											
18	Pipe dcw assembly		8 716 105 477 0		LPG	■												
18	Pipe dcw assembly		8 716 105 477 0		NG		■											
19	Flow sensor		8 716 146 164 0	36	LPG	■												
19	Flow sensor		8 716 146 164 0	36	NG		■											
20	O-ring 2.62 X 15.54 id ep		8 716 140 805 0	15	LPG	■												
20	O-ring 2.62 X 15.54 id ep		8 716 140 805 0	15	NG		■											
21	Screw m3x6mm zc pl p/h taptite		2 914 411 411 0	18	LPG	■												
21	Screw m3x6mm zc pl p/h taptite		2 914 411 411 0	18	NG		■											
22	Flow regulator - c/w filter		8 716 141 255 0	25	LPG	■												
22	Flow regulator - c/w filter		8 716 141 255 0	25	NG		■											
23	Pump outlet connector clip		8 716 105 658 0		LPG	■												
23	Pump outlet connector clip		8 716 105 658 0		NG		■											
24	Charging link assembly		8 716 104 592 0		LPG	■												
24	Charging link assembly		8 716 104 592 0		NG		■											
<b>24i Junior LPG 24i Junior NG</b>			Heat exchanger/ Pipes D															<b>2</b>

Spare parts list



Heat exchanger/ Pipes  
D

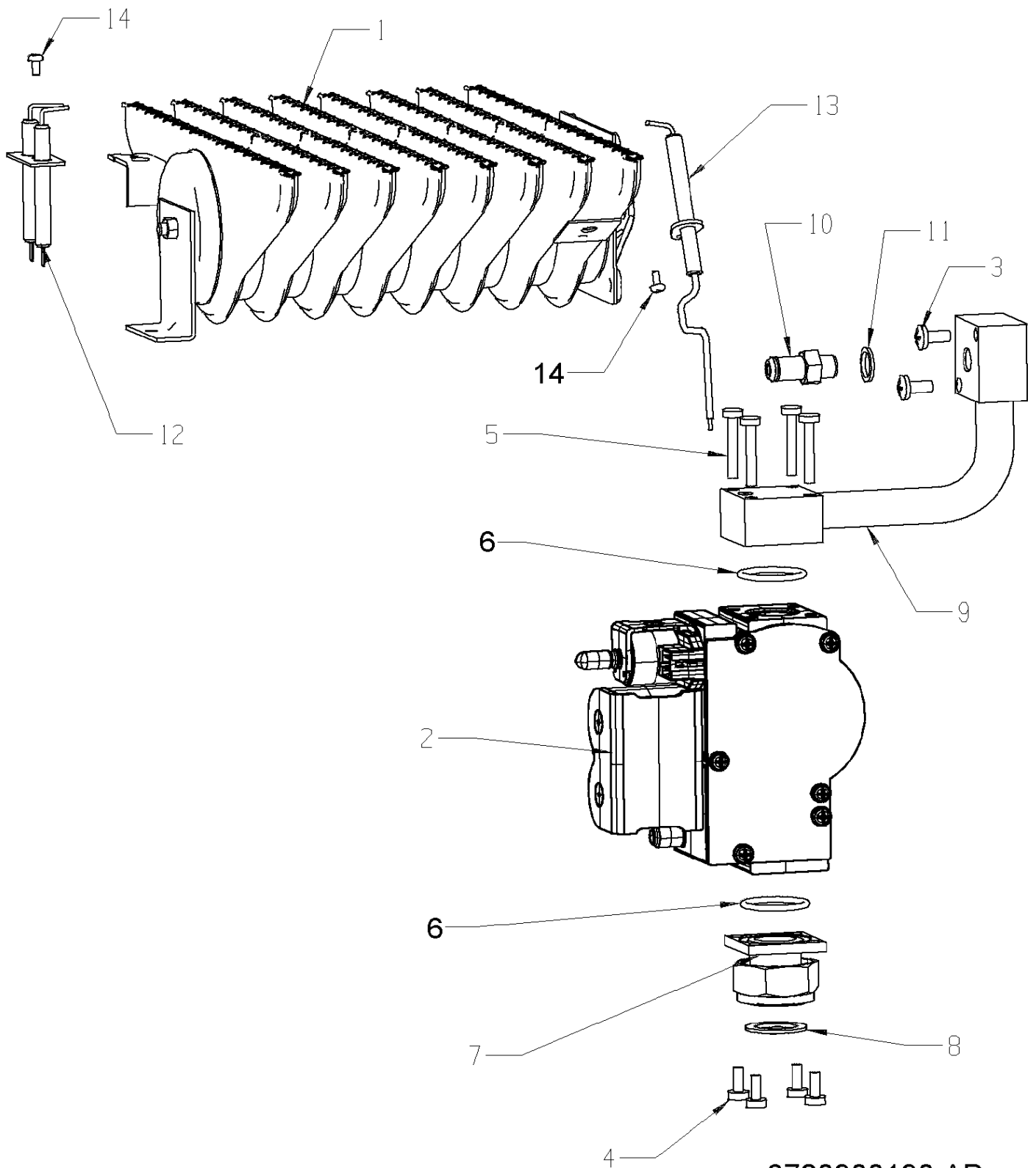
24i Junior LPG 24i Junior NG

6720900189.AF

2



Spare parts list



6720900190.AB

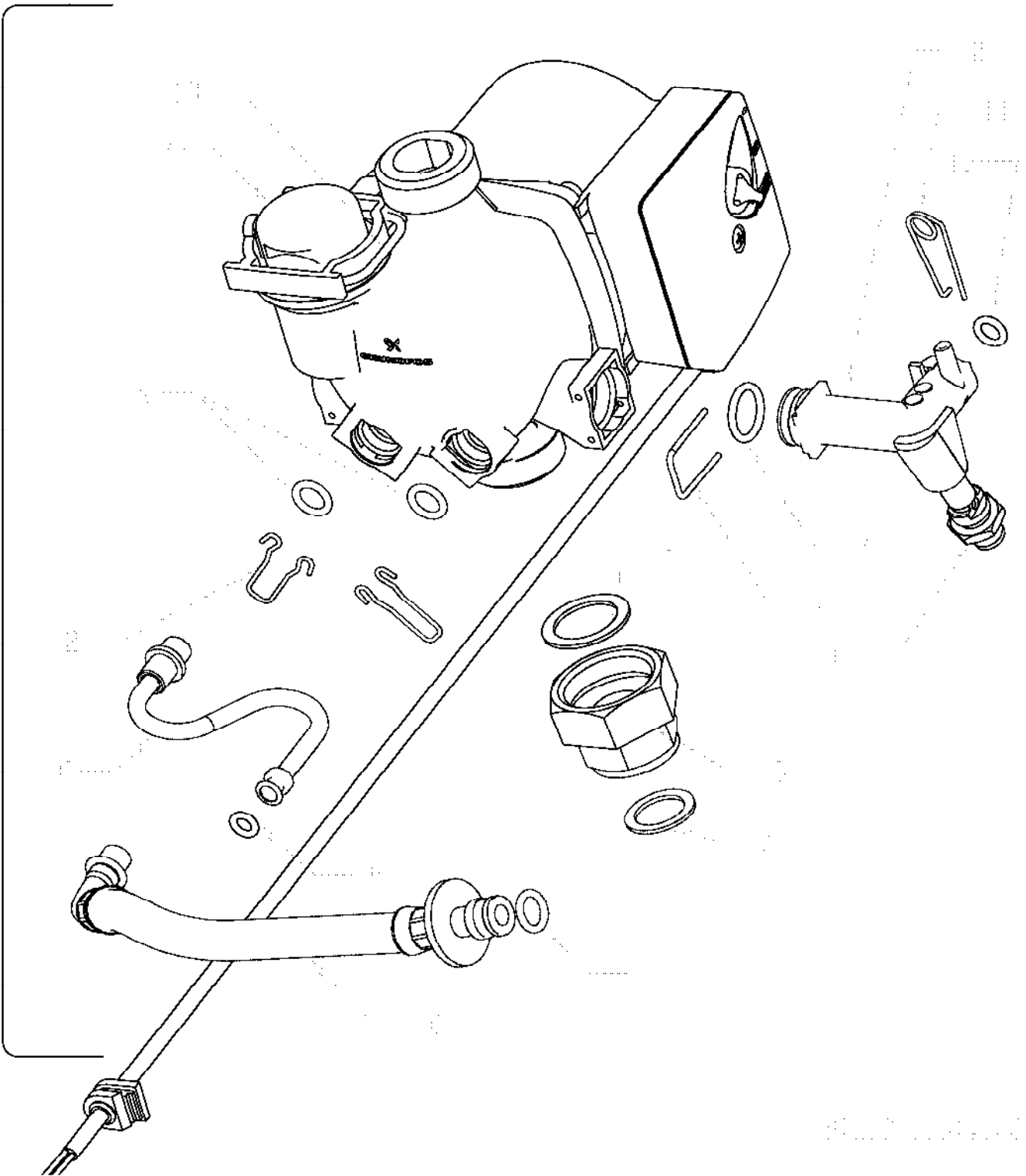
Burner / gas valve assembly  
D

24i Junior LPG 24i Junior NG

3



Spare parts list



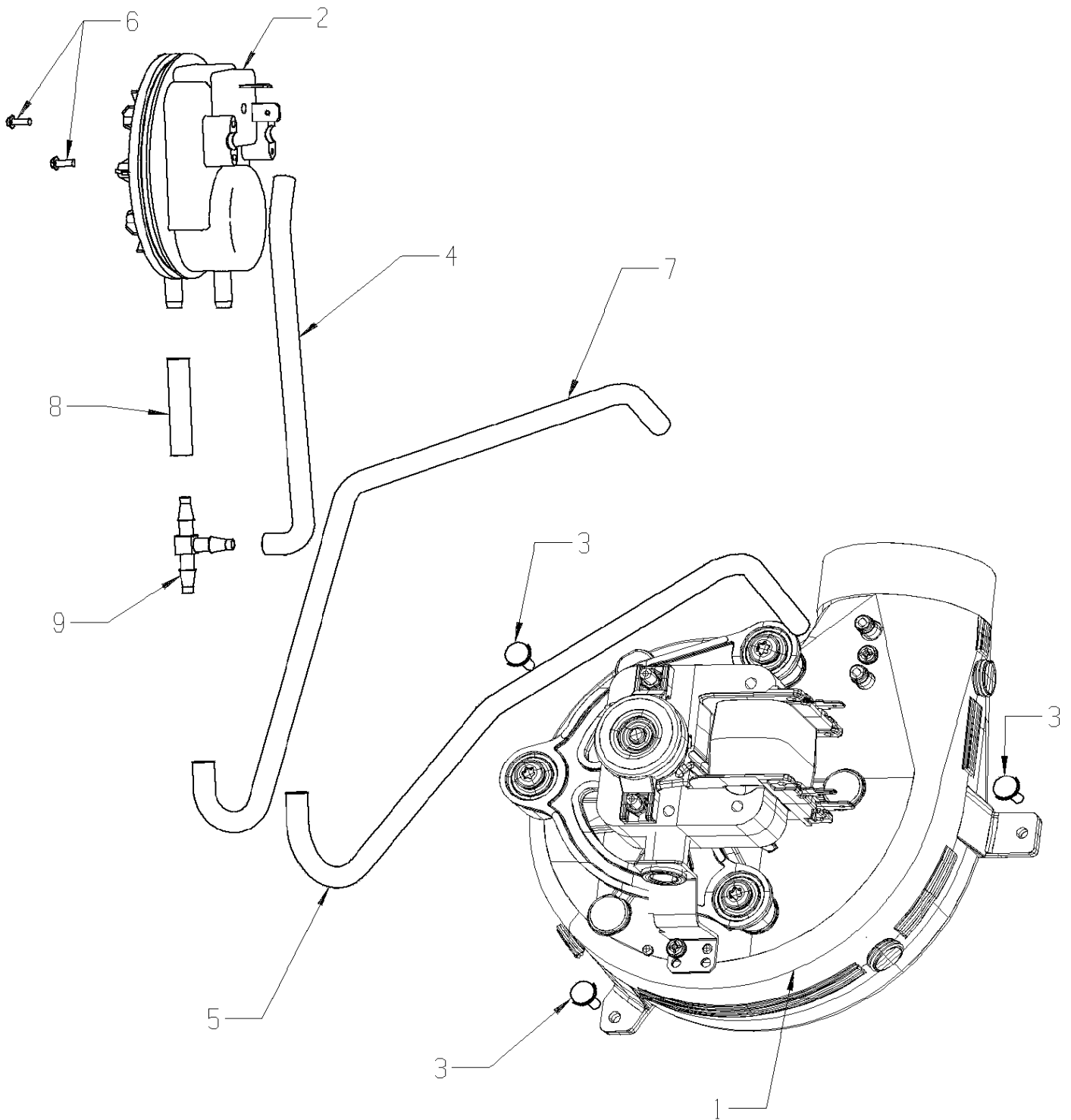
Pump  
D

**4**

24i Junior LPG 24i Junior NG



Spare parts list



6720900192.AA

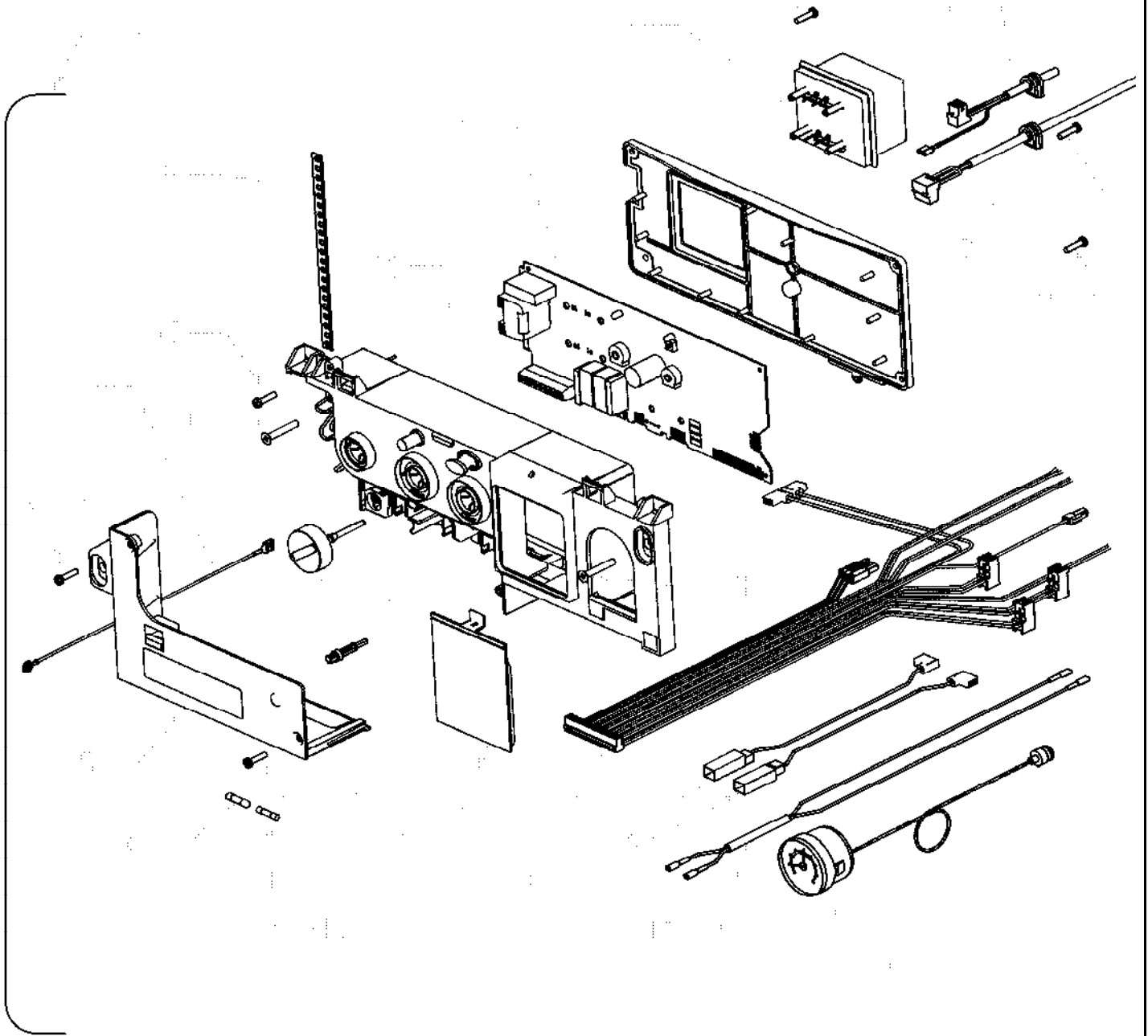
Fan  
D

5

24i Junior LPG 24i Junior NG



# Spare parts list



Control box  
D

6

24i Junior LPG 24i Junior NG



**ADDITIONAL SPARE PARTS  
FOR APPLIANCE  
NOT DRAWN**

9099

6720900999.AA

Additional Spare Part  
D

**9**

**24i Junior LPG 24i Junior NG**



**List of translations**

Pos			
1			
2			
3			
4			
5			
6			
7			
8			
9			
10			
11			
12			
13			
14			
15			
16			
17			
18			
19			
20			
21			
22			
23			
24			
25			
26			
27			
28			
<b>2</b>			
1			
2			
3			
4			
5			
6			
7			
8			
9			
10			
11			
12			
13			
14			
15			
16			
17			
18			
19			
20			
21			
22			
23			
24			
25			
26			
Pos			

**List of translations**

27				
28				
29				
<b>3</b>				
1				
2				
3				
4				
5				
6				
7				
8				
9				
10				
11				
12				
13				
14				
<b>4</b>				
1				
2				
3				
4				
5				
6				
7				
8				
9				
10				
12				
13				
14				
15				
16				
17				
18				
<b>5</b>				
1				
2				
3				
4				
5				
6				
7				
8				
9				
<b>6</b>				
1				
2				
3				
4				
5				
6				
7				
8				
9				
Pos				













