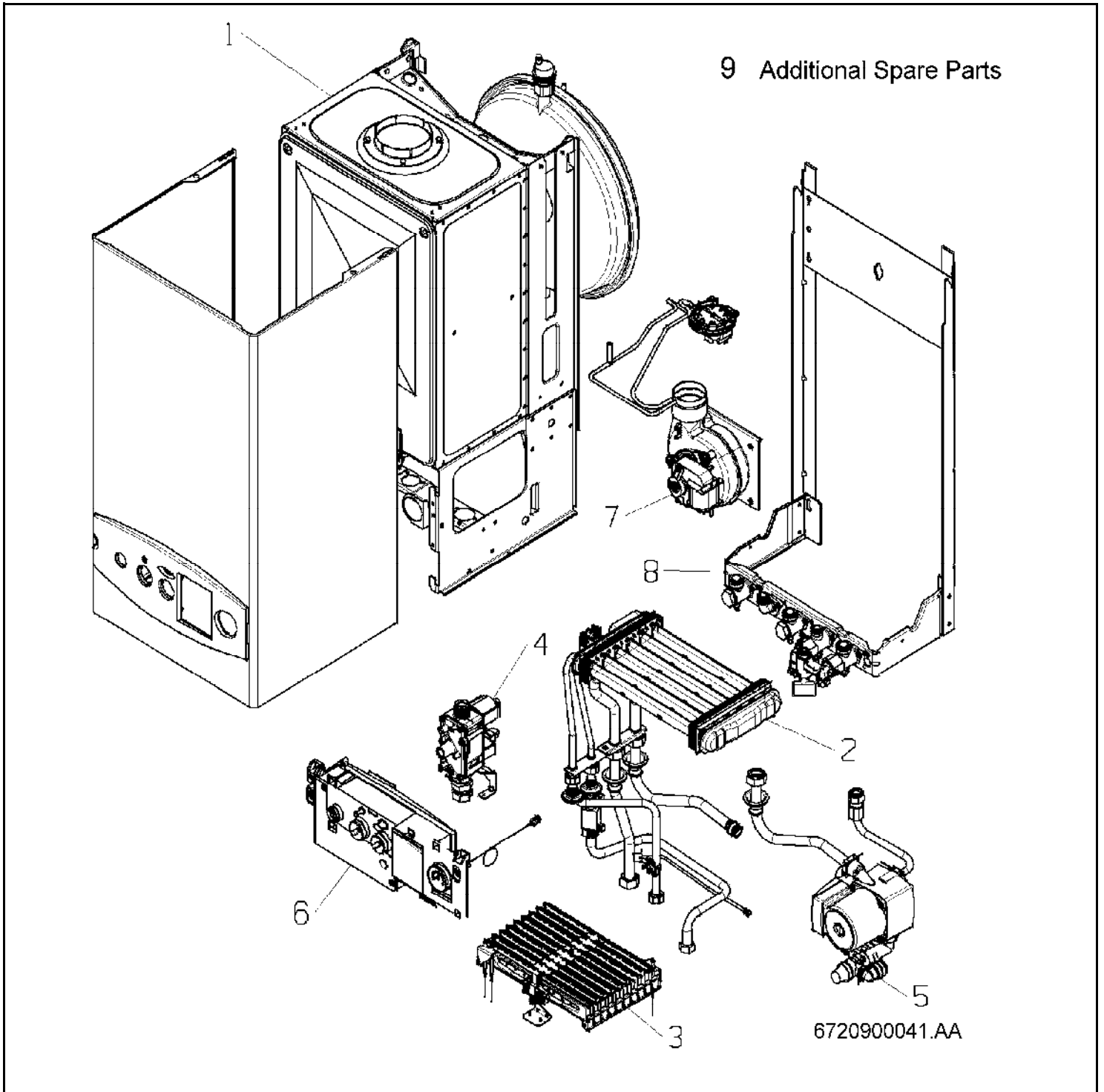
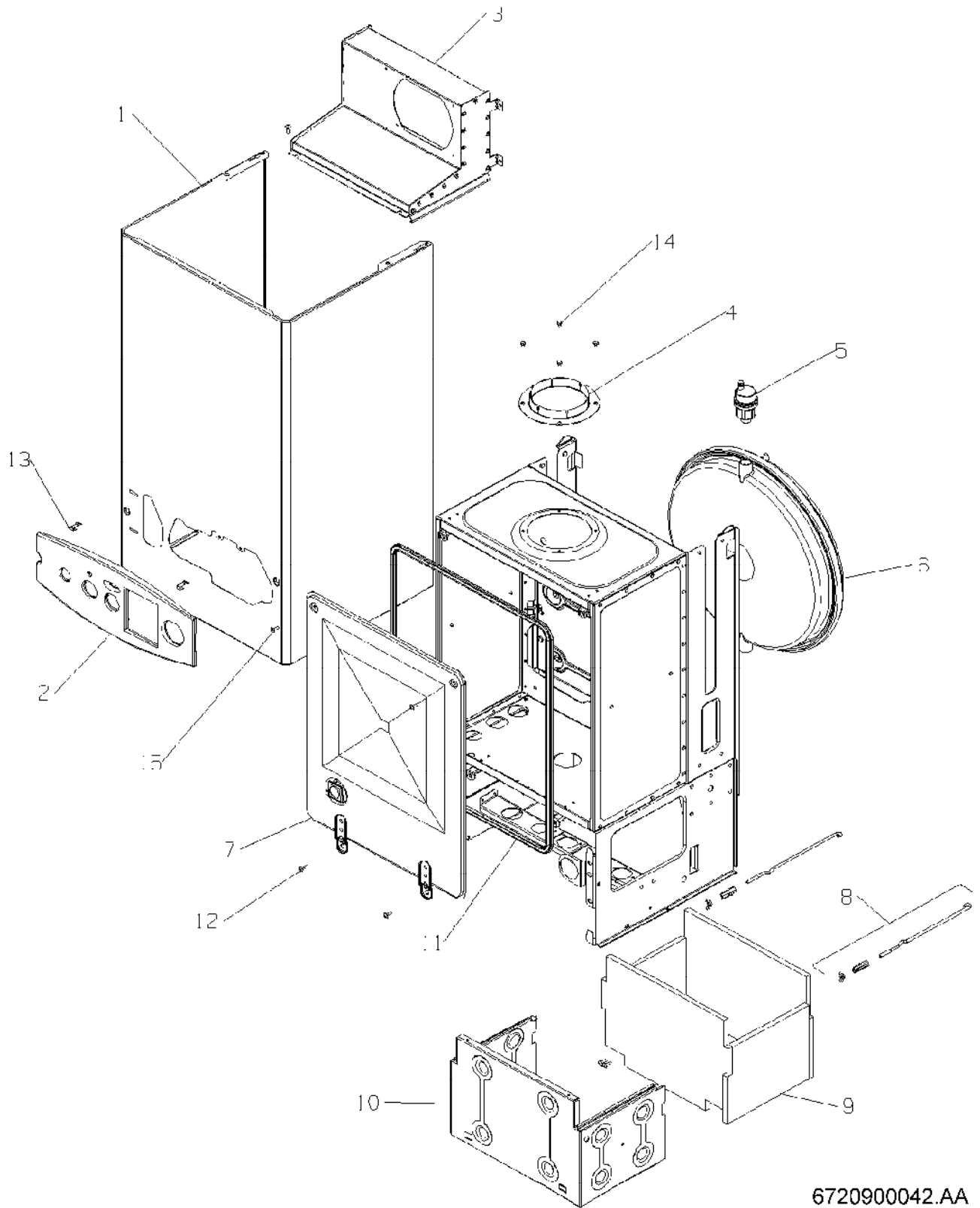


24SI II RSF



Spare parts list

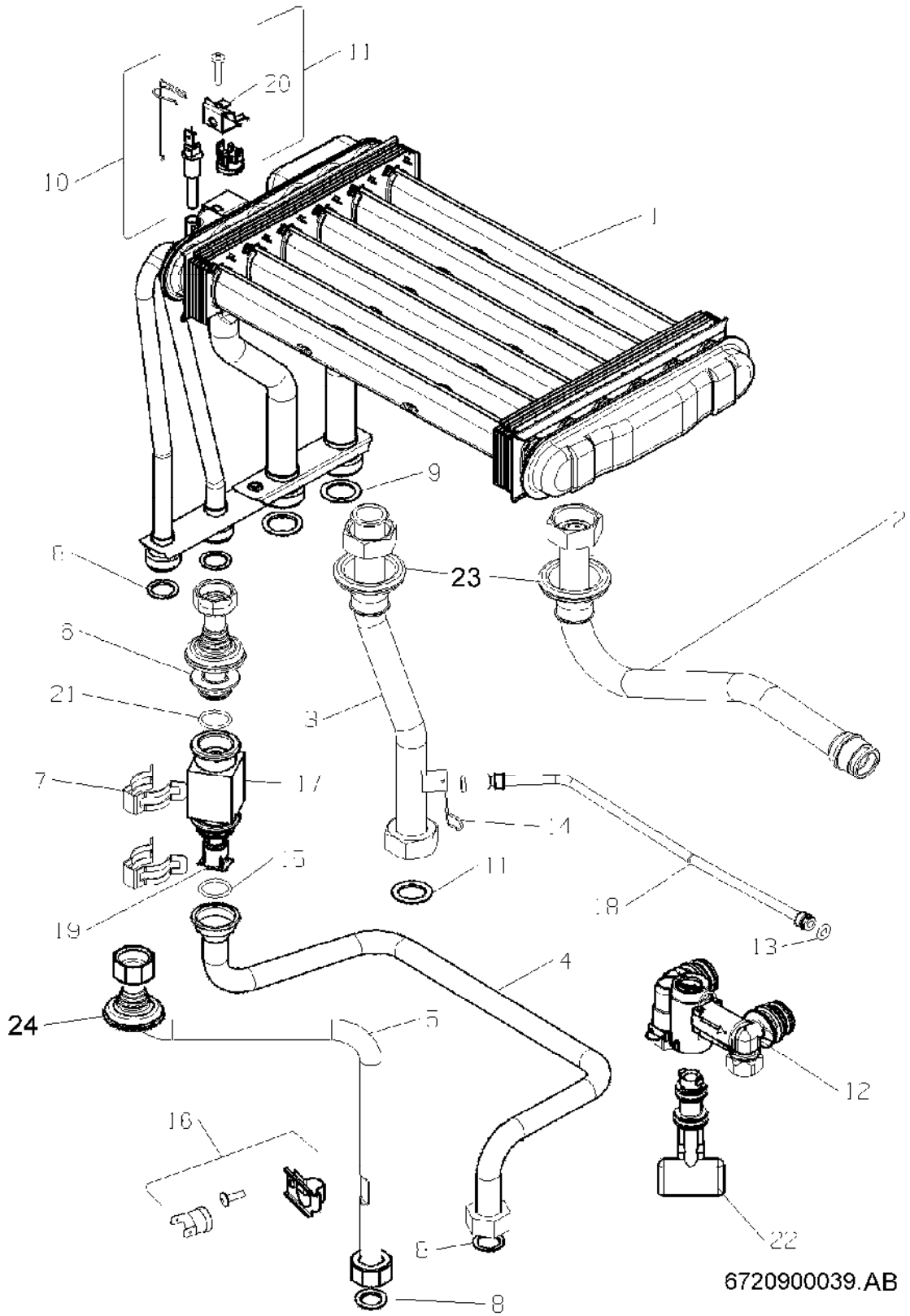


Superstructure / Case
D

24SI II-FSN

1

Spare parts list



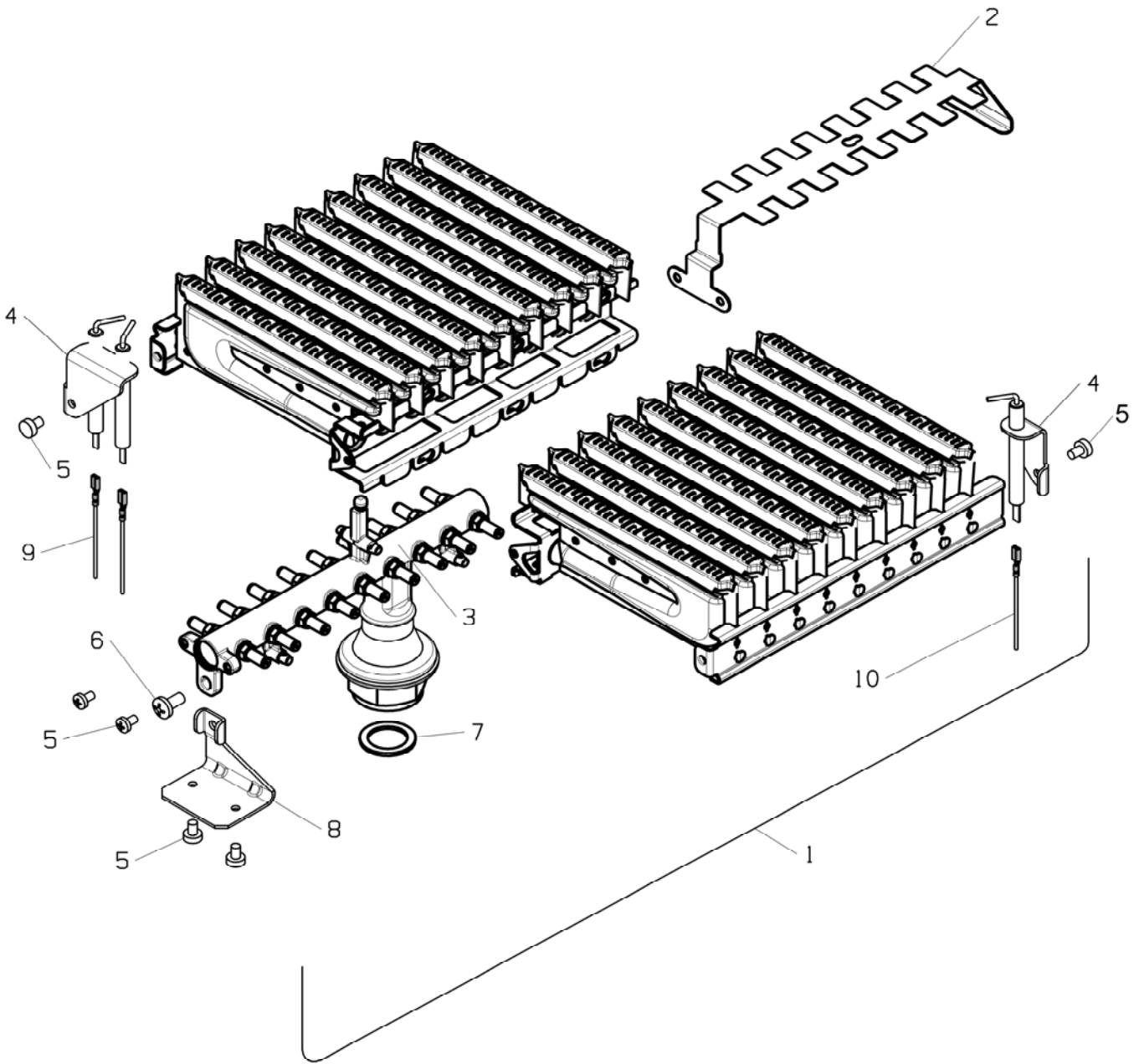
6720900039.AB

Heat exchanger/ Pipes
D

24SI II-FSN

2

Spare parts list



6720900194.AA

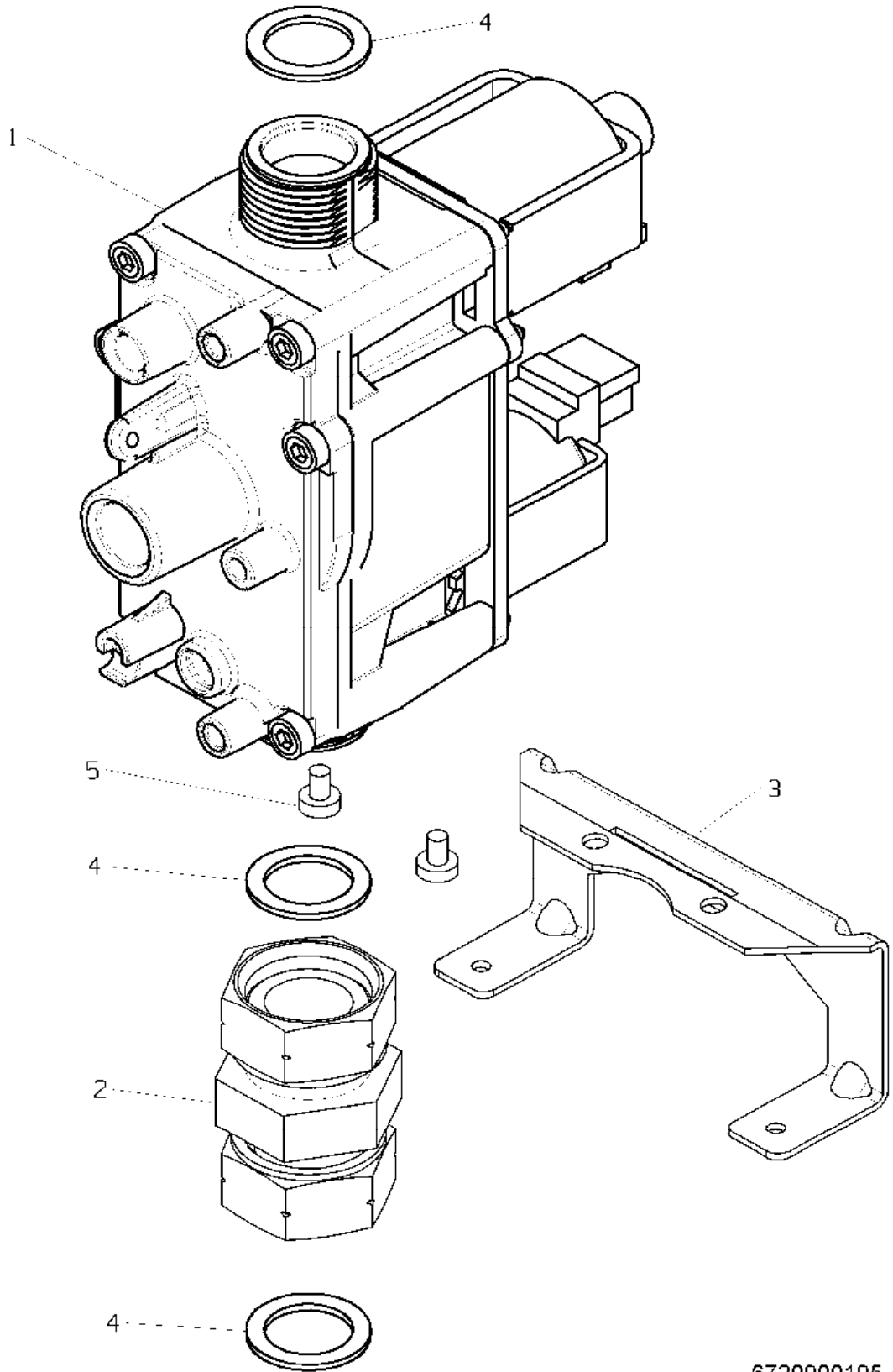
Burner Assembly
D

24SI II-FSN

3

Pos	description	S-Nr	ordering no.	PG	gas type	24SI II-FSN															remarks
1	Burner ng 24kw rsf		8 716 101 900 0	44	NG	■															
1	Burner 24kw lpg rsf		8 716 102 396 0	44	NG	■															
2	Cross ignition bridge		8 711 304 692 0	17	NG	■															
3	Burner manifold ng rsf		8 716 102 131 0	36	NG	■															
3	Burner manifold lpg rsf		8 716 102 134 0	36	NG	■															
4	Electrode set (flame & ignition)		8 716 101 901 0	29	NG	■															
5	Screw m4x6 taptite zc pl p/h		2 914 411 424 0	12	NG	■															
6	Screw M5x12mm taptite zc pl p/h		2 914 411 403 0	12	NG	■															
7	Fibre washer 23.9 X 17.2 X 1.5 (10x)		8 710 103 043 0	12	NG	■															
7	Washer 23.9 x 17.2 x 1.5 (X1)		8 716 115 674 0		NG	■															
8	Burner support		8 716 101 801 0	16	NG	■															BEFORE FD483
8	Fixing bracket		8 716 106 188 0	15	NG	■															AFTER FD483
9	Ignition lead		8 716 146 676 0	26	NG	■															BEFORE FD483
9	Ignition wire		8 719 905 147 0		NG	■															AFTER FD483
10	End flame sense harness		8 716 102 438 0	22	NG	■															BEFORE FD483
10	Cable		8 719 905 148 0	17	NG	■															AFTER FD483
	Gas Conversion kit ng to lpg 24si II		7 716 192 262 0		NG	■															Before RD387
	Gas conversion kit lpg to ng 24si II		7 716 192 263 0	36	NG	■															Before RD387
	Conversion kit ng to lpg 24si ii		7 716 192 288		NG	■															AFTER FD387
	Gas conversion kit lpg to ng 24si II		8 716 105 803 0		NG	■															AFTER FD387
24SI II-FSN		Burner Assembly D																			3

Spare parts list



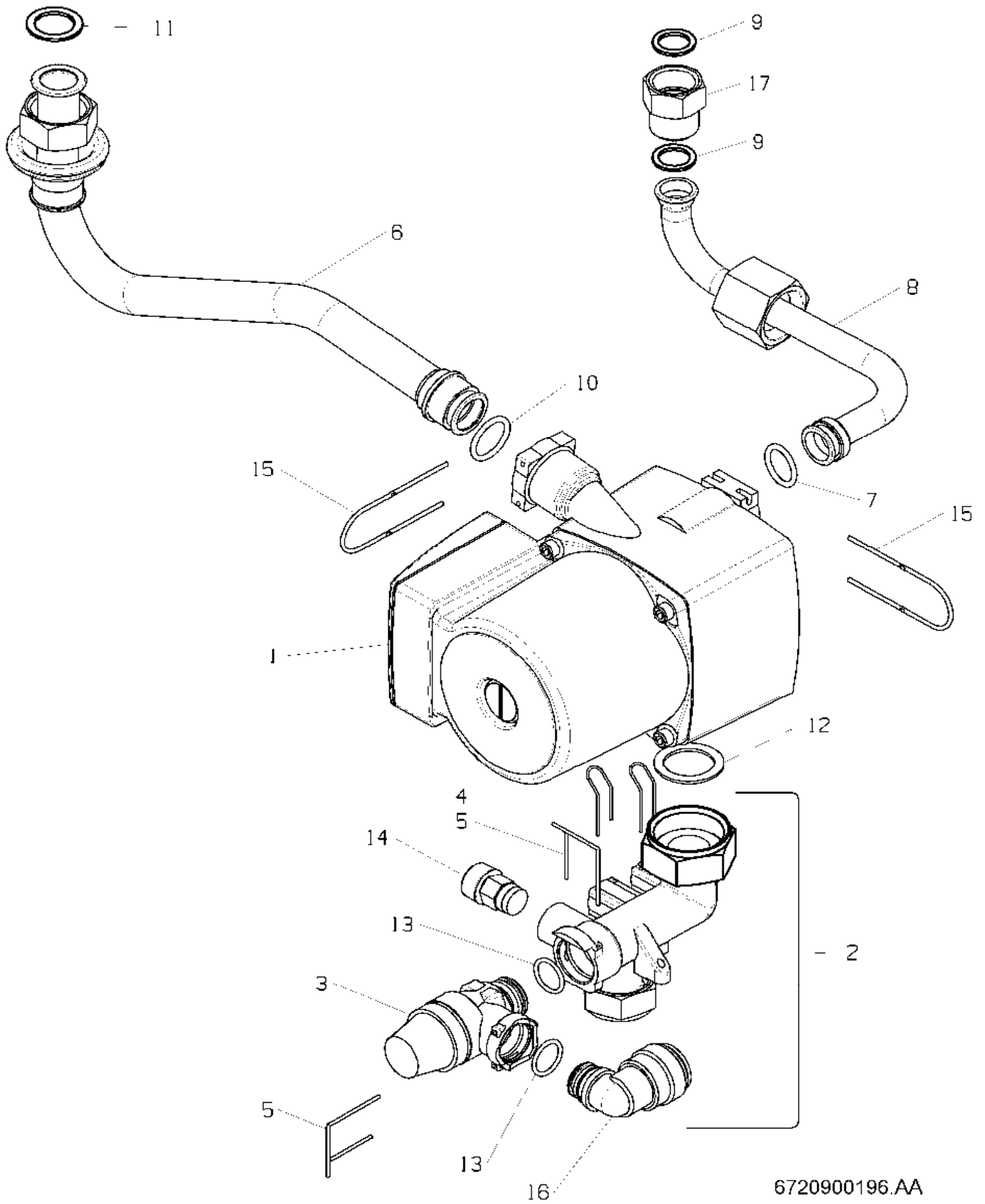
6720900195.AA

Gas valve
D

24SI II-FSN

4

Spare parts list

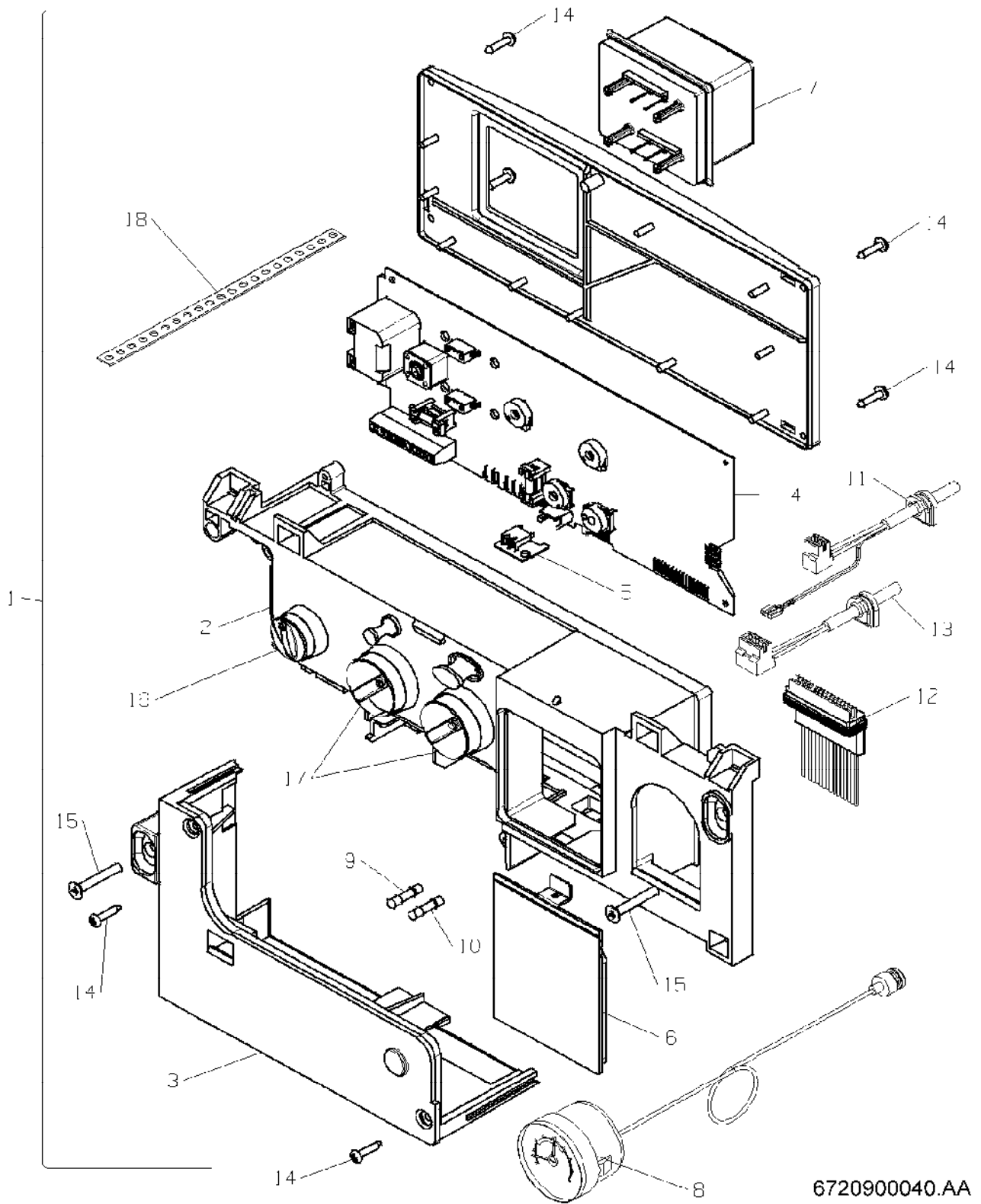


Pump / Hydraulic assy
D

24SI II-FSN

5

Spare parts list



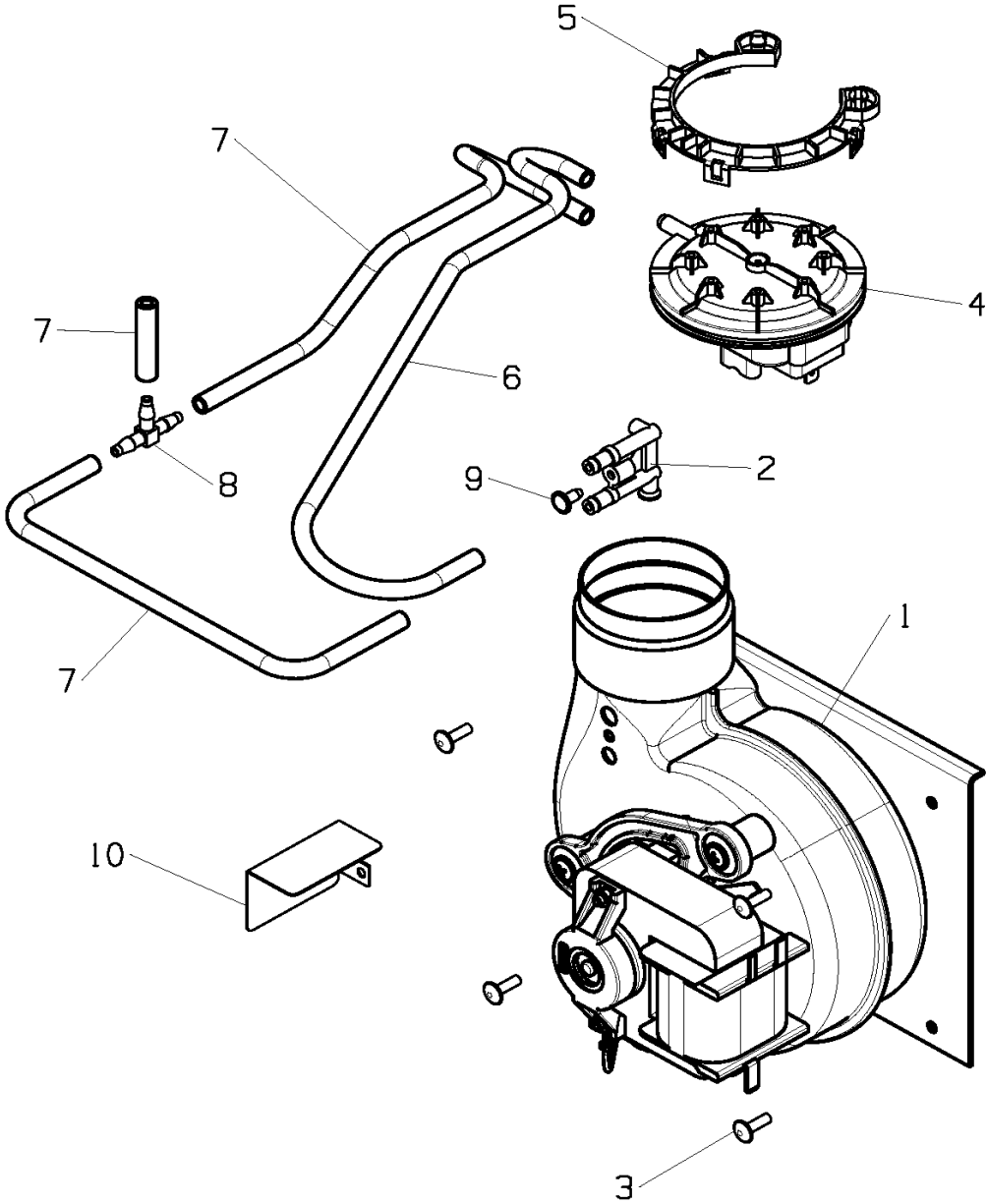
Electrical Box Assembly
D

24SI II-FSN

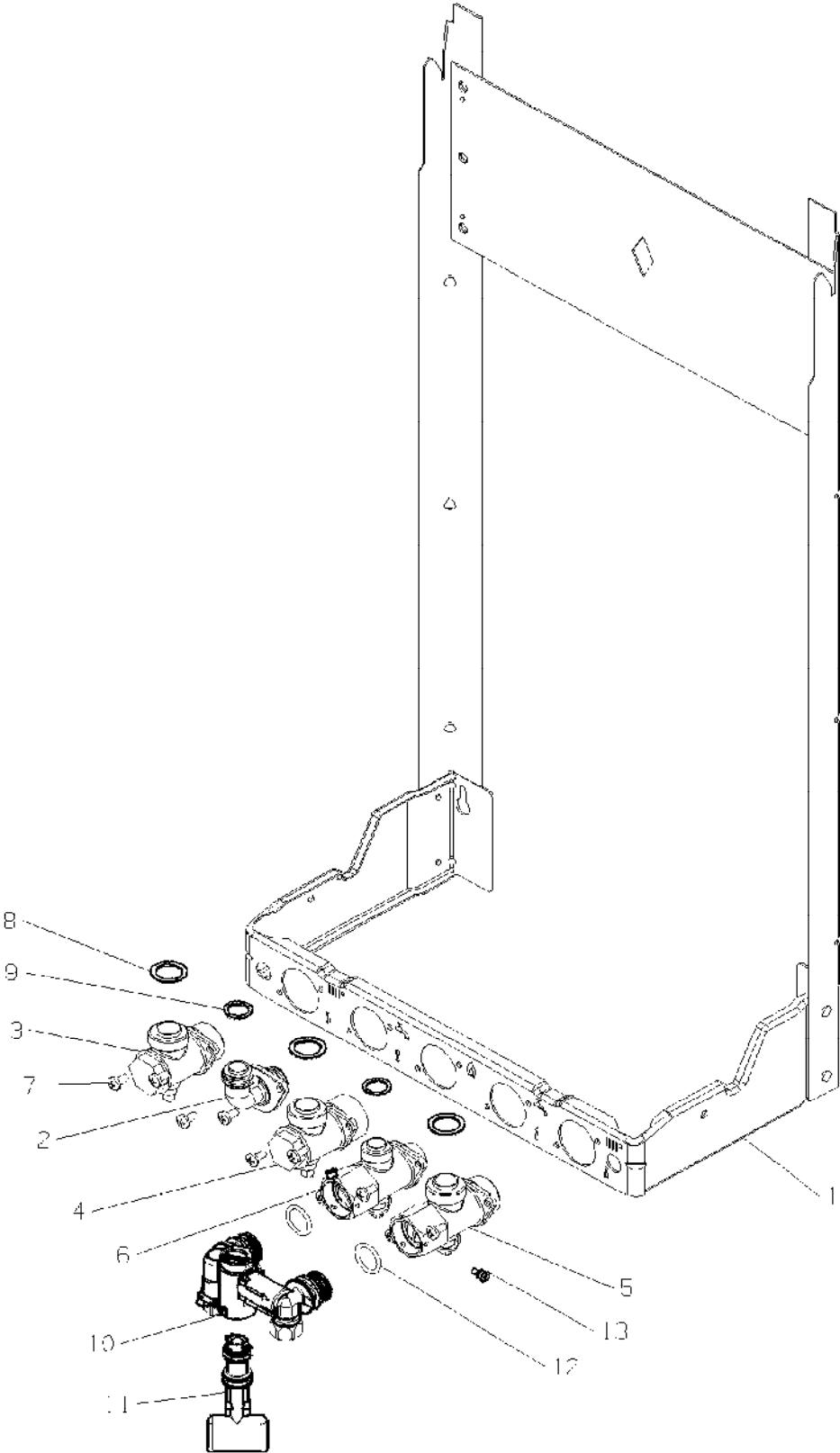
6

Pos	description	S-Nr	ordering no.	PG	gas type	24SI II-FSN															remarks
1	Control unit		8 717 207 504 0	52	NG	■															BEFORE FD387
1	Control Box 24KW (WoW)		8 717 207 585 0	52	NG	■															AFTER FD387
2	Casing		8 717 207 576 0	33	NG	■															
3	Connection Cover		8 715 503 353 0	22	NG	■															
4	Printed circuit board		8 748 300 417 0	50	NG	■															BEFORE FD387
4	Printed circuit board		8 748 300 488 0	51	NG	■															AFTER FD387
5	Code plug		8 714 421 132 0	15	NG	■															BEFORE FD387
5	Code plug		8 714 421 166 0	15	NG	■															AFTER FD387
6	Shield light grey		8 711 000 276 0	14	NG	■															
7	Transformer		8 747 201 319 0		NG	■															
8	Pressure gauge		8 716 142 398 0		NG	■															
9	Fusing element T2A (10x)		8 744 503 011 0	16	NG	■															
10	Fuse T1,25A		1 904 522 338 0	19	NG	■															
11	Cable		8 716 101 902 0	28	NG	■															
12	Harness main		8 716 103 514 0	32	NG	■															AFTER FD387
12	Harness - main		8 716 121 775 0	35	NG	■															BEFORE FD387
13	Harness - fan		8 716 104 903 0	26	NG	■															
14	Screw (10x)		8 713 403 013 0	12	NG	■															
15	Screw M5x30 csk zp pozi		2 912 331 166 0	12	NG	■															
16	Temperature control knob		8 712 000 115 0	21	NG	■															
17	Knob - on/off		8 712 000 116 0	16	NG	■															
18	Safety strap		8 716 101 720 0	19	NG	■															
24SI II-FSN			Electrical Box Assembly D															6			

Spare parts list



Spare parts list



6720900043.AA

Wall Mounting assy
D

24SI II-FSN

8

**ADDITIONAL SPARE PARTS
FOR APPLIANCE
NOT DRAWN**

9099

6720900999.AA

Additional Spare Part
D

9

24SI II-FSN

List of translations

Pos			
1			
2			
3			
4			
5			
6			
7			
8			
9			
10			
11			
12			
13			
14			
15			
2			
1			
2			
3			
4			
5			
6			
7			
8			
9			
10			
11			
12			
13			
14			
15			
16			
17			
18			
19			
20			
21			
22			
23			
24			
3			
1			
2			
3			
4			
5			
6			
7			
8			
9			
10			
Pos			
4			
1			
2			

List of translations

3				
4				
5				
1				
2				
3				
4				
5				
6				
7				
8				
9				
10				
11				
12				
13				
14				
15				
16				
17				
6				
1				
2				
3				
4				
5				
6				
7				
8				
9				
10				
11				
12				
13				
14				
15				
16				
17				
18				
7				
1				
2				
3				
4				
5				
6				
7				
8				
9				
10				
8				
1				
2				
3				
4				
5				

