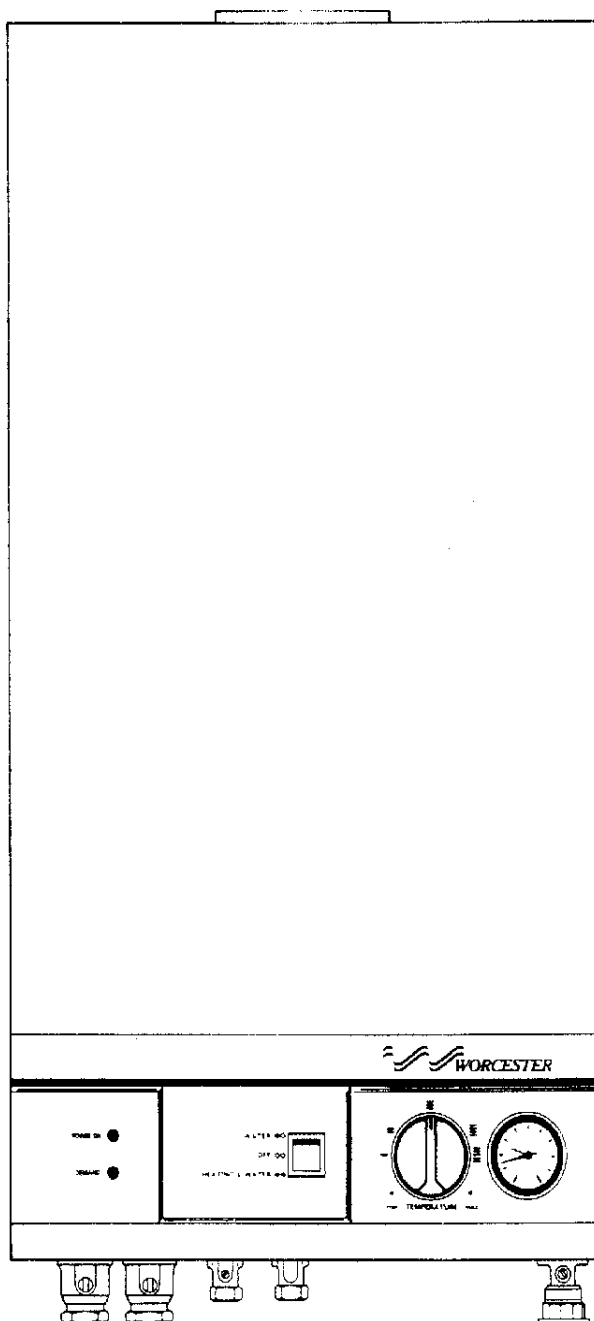


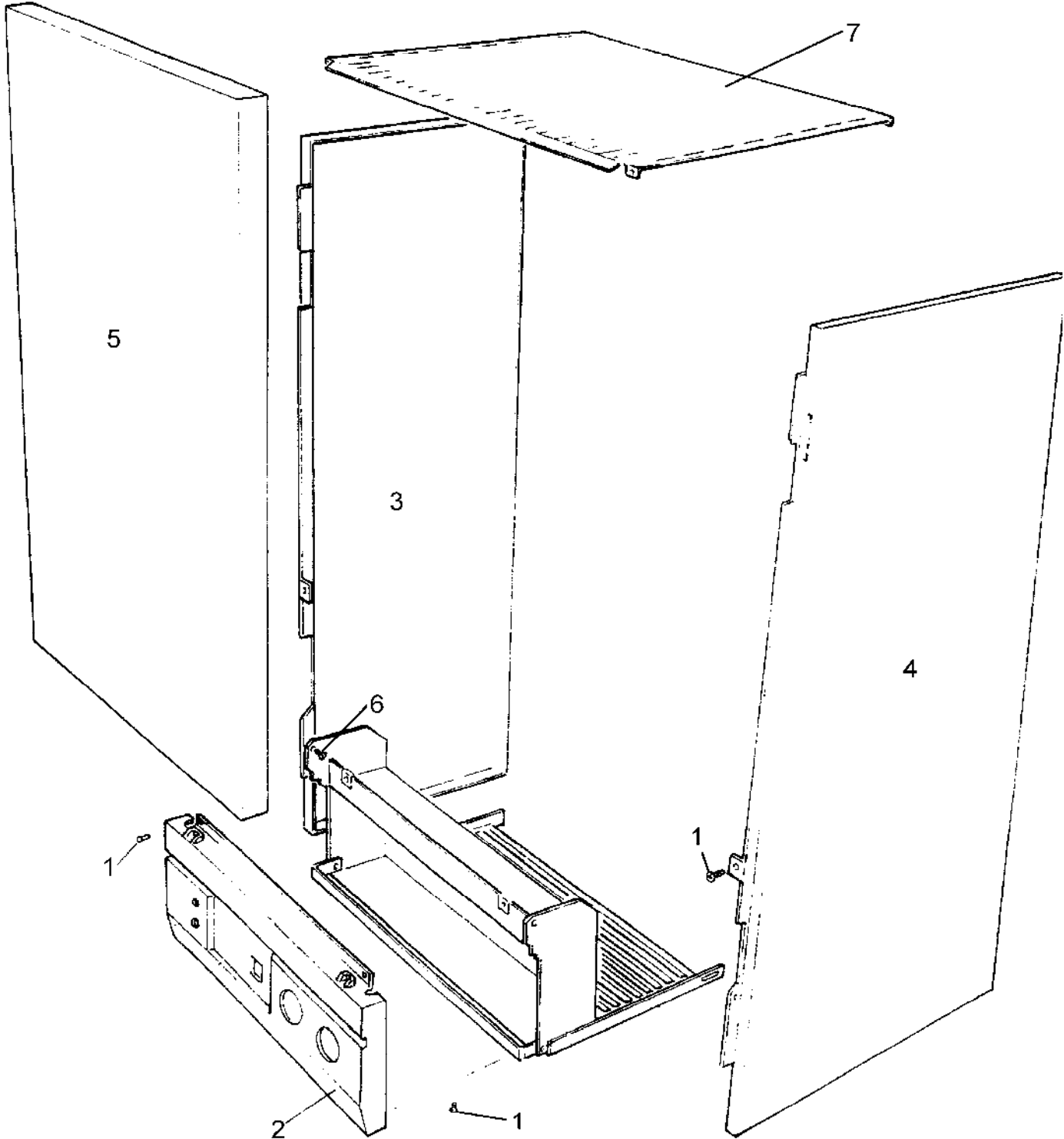
240 BF

- 1 Casing
- 2 Superstructure
- 3 Pump & Hydraulic Assy
- 4 Electrical Box Assy
- 9 Additional Spare Parts



6720900138.AA

Spare parts list



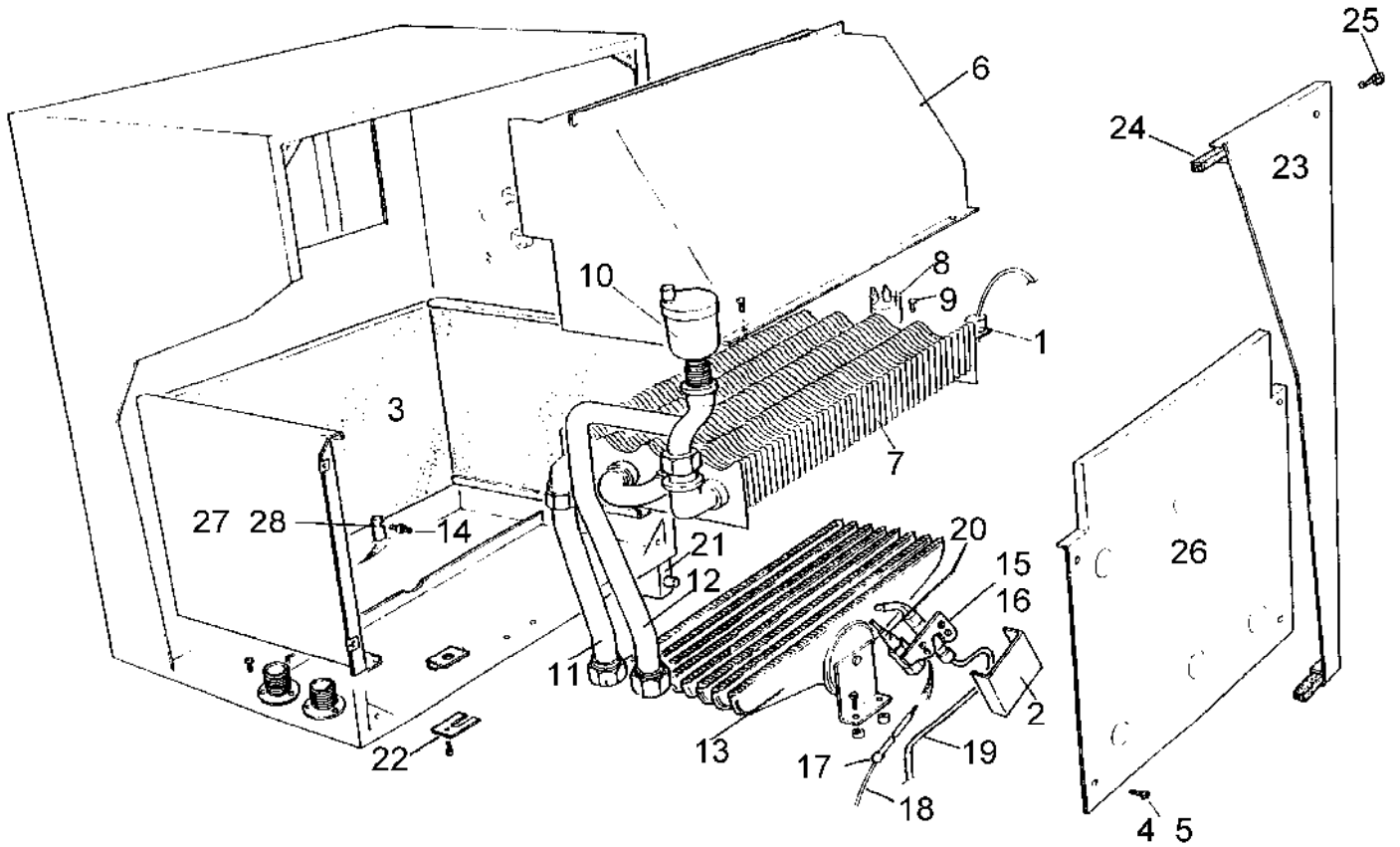
6720900130.AA

Casing
D

240-BSN 240-BSP

1

Spare parts list



6720900132.AA

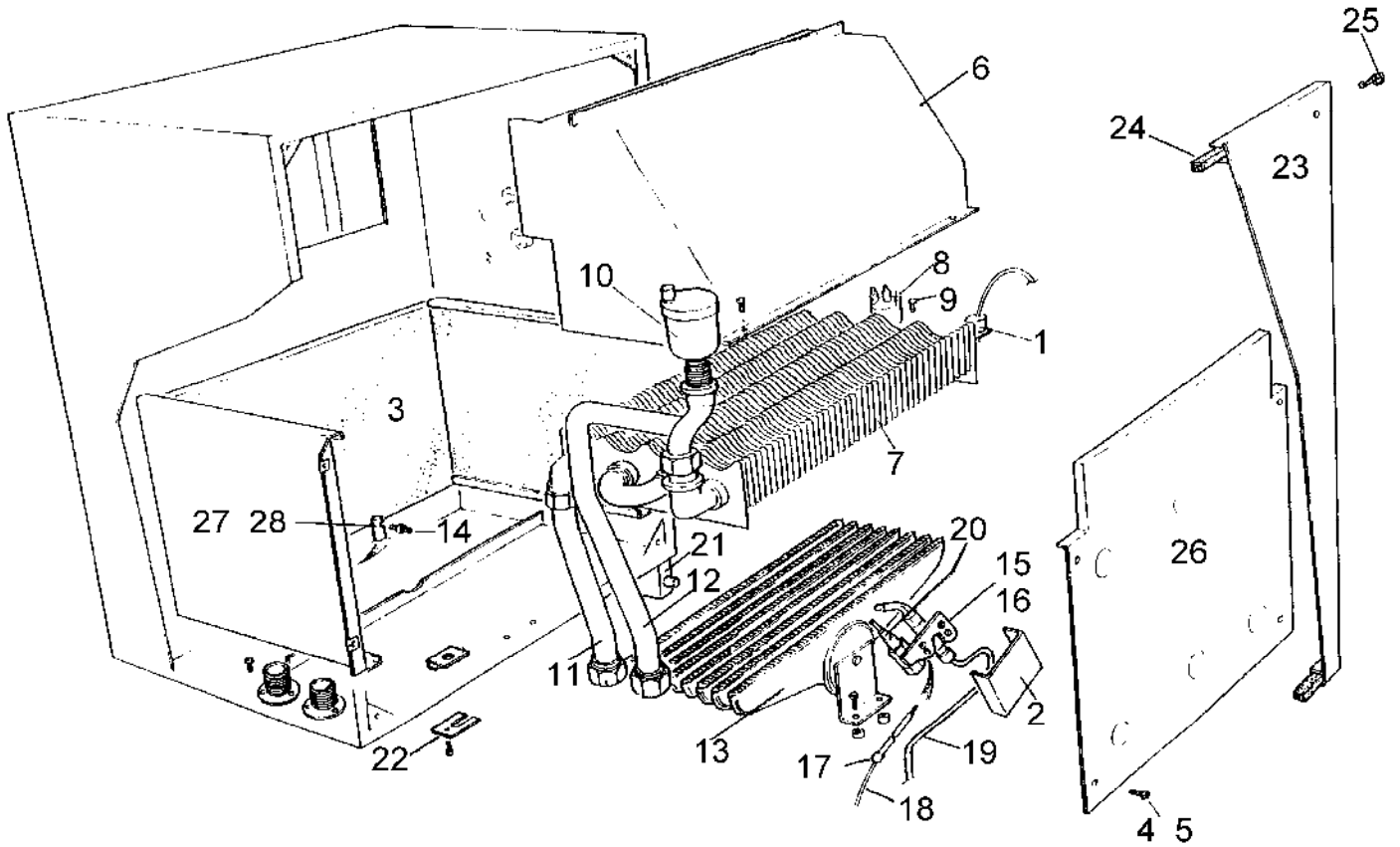
Superstructure
D

240-BSN 240-BSP

2

| Pos | description | S-Nr | ordering no. | PG | gas type | 240-BSN | 240-BSP | | | | | | | | | | | remarks |
|------------------------|--------------------------------------|------|---------------------|----|----------|---------|---------|--|--|--|--|--|--|--|--|--|--|----------|
| 1 | Stat overheat c/w leads (short) | | 8 716 120 903 0 | | LPG | ■ | | | | | | | | | | | | |
| 1 | Stat overheat c/w leads (short) | | 8 716 120 903 0 | | NG | ■ | | | | | | | | | | | | |
| 2 | Pilot shield | | 8 716 100 325 0 | | LPG | ■ | | | | | | | | | | | | |
| 2 | Pilot shield | | 8 716 100 325 0 | | NG | ■ | | | | | | | | | | | | |
| 3 | Cer.fib.brd.15x230x311mm 240 OF & BF | | 8 716 142 266 0 | | LPG | ■ | | | | | | | | | | | | |
| 3 | Cer.fib.brd.15x230x311mm 240 OF & BF | | 8 716 142 266 0 | | NG | ■ | | | | | | | | | | | | |
| 3 | Cer.fib.brd.15x176x212mm 240 OF & BF | | 8 716 142 271 0 | | LPG | ■ | | | | | | | | | | | | |
| 3 | Cer.fib.brd.15x176x212mm 240 OF & BF | | 8 716 142 271 0 | | NG | ■ | | | | | | | | | | | | |
| 3 | Cer.fib.brd.15x280x311mm 240 OF & BF | | 8 716 142 272 0 | | LPG | ■ | | | | | | | | | | | | |
| 3 | Cer.fib.brd.15x280x311mm 240 OF & BF | | 8 716 142 272 0 | | NG | ■ | | | | | | | | | | | | |
| 3 | Comb. chamber insulation kit | | 8 716 142 293 0 | | LPG | ■ | | | | | | | | | | | | |
| 3 | Comb. chamber insulation kit | | 8 716 142 293 0 | | NG | ■ | | | | | | | | | | | | |
| 4 | Screw no.8x1/2 f/h type b self tap. | | 2 912 421 225 0 | 16 | LPG | ■ | | | | | | | | | | | | |
| 4 | Screw no.8x1/2 f/h type b self tap. | | 2 912 421 225 0 | 16 | NG | ■ | | | | | | | | | | | | |
| 5 | Nut Captive No:8 | | 8 716 148 204 0 | 16 | LPG | ■ | | | | | | | | | | | | |
| 5 | Nut Captive No:8 | | 8 716 148 204 0 | 16 | NG | ■ | | | | | | | | | | | | |
| 6 | Collector hood assembly | | 8 716 120 473 0 | | LPG | ■ | | | | | | | | | | | | |
| 6 | Collector hood assembly | | 8 716 120 473 0 | | NG | ■ | | | | | | | | | | | | |
| 7 | Gas to water heat exchanger | | 8 716 142 802 0 | | LPG | ■ | | | | | | | | | | | | |
| 7 | Gas to water heat exchanger | | 8 716 142 802 0 | | NG | ■ | | | | | | | | | | | | |
| 8 | T/stat T/disc 60t13500103 | | 8 716 142 362 0 | | LPG | ■ | | | | | | | | | | | | |
| 8 | T/stat T/disc 60t13500103 | | 8 716 142 362 0 | | NG | ■ | | | | | | | | | | | | |
| 9 | Screw m4x10mm taptite Scr zc pl p/h | | 2 914 411 408 0 | | LPG | ■ | | | | | | | | | | | | |
| 9 | Screw m4x10mm taptite Scr zc pl p/h | | 2 914 411 408 0 | | NG | ■ | | | | | | | | | | | | |
| 10 | Air-vent automatic 3/8 (ss kit) | | 8 716 140 500 0 | 35 | LPG | ■ | | | | | | | | | | | | |
| 10 | Air-vent automatic 3/8 (ss kit) | | 8 716 140 500 0 | 35 | NG | ■ | | | | | | | | | | | | |
| 11 | Pipe - heat exchange return 0465 | | 8 716 100 363 0 | | LPG | ■ | | | | | | | | | | | | |
| 11 | Pipe - heat exchange return 0465 | | 8 716 100 363 0 | | NG | ■ | | | | | | | | | | | | |
| 12 | Pipe - heat ex. flow assy 0466 | | 8 716 120 475 0 | | LPG | ■ | | | | | | | | | | | | |
| 12 | Pipe - heat ex. flow assy 0466 | | 8 716 120 475 0 | | NG | ■ | | | | | | | | | | | | |
| 13 | Burner aeromatic ng | | 8 716 142 607 0 | | NG | ■ | | | | | | | | | | | | |
| 13 | Burner aeromatic lpg | | 8 716 142 608 0 | | LPG | ■ | | | | | | | | | | | | |
| 14 | Main burner injector 4.4 dia. | | 8 716 156 337 0 | | NG | ■ | | | | | | | | | | | | |
| 14 | Injec. lpg 1/8 x120degx2.8di | | 8 716 156 338 0 | | LPG | ■ | | | | | | | | | | | | |
| 15 | Pilot burner q385a2010 | | 8 716 142 614 0 | | LPG | ■ | | | | | | | | | | | | |
| 15 | Pilot burner q385a2010 | | 8 716 142 614 0 | | NG | ■ | | | | | | | | | | | | |
| 16 | Injector(pilot)lpg | | 8 716 148 153 0 | | LPG | ■ | | | | | | | | | | | | |
| 16 | Injector(pilot) | | 8 716 156 300 0 | | NG | ■ | | | | | | | | | | | | |
| 17 | Spark electrode | | 8 716 142 104 0 | | LPG | ■ | | | | | | | | | | | | |
| 17 | Spark electrode | | 8 716 142 104 0 | | NG | ■ | | | | | | | | | | | | |
| 18 | Lead assy 0.7 ptfe cabLe 570mm | | 8 716 146 642 0 | | LPG | ■ | | | | | | | | | | | | |
| 18 | Lead assy 0.7 ptfe cabLe 570mm | | 8 716 146 642 0 | | NG | ■ | | | | | | | | | | | | |
| 19 | Pilot feed tube assembly | | 8 716 120 474 0 | | LPG | ■ | | | | | | | | | | | | |
| 19 | Pilot feed tube assembly | | 8 716 120 474 0 | | NG | ■ | | | | | | | | | | | | |
| 20 | Thermocouple q309a2747 | | 8 716 142 324 0 | | LPG | ■ | | | | | | | | | | | | |
| 20 | Thermocouple q309a2747 | | 8 716 142 324 0 | | NG | ■ | | | | | | | | | | | | |
| 21 | Spark ignitor | | 8 716 142 126 0 | | LPG | ■ | | | | | | | | | | | | |
| 21 | Spark ignitor | | 8 716 142 126 0 | | NG | ■ | | | | | | | | | | | | |
| 22 | Capillary cover c/w gasket | | 8 716 100 557 0 | | LPG | ■ | | | | | | | | | | | | |
| 22 | Capillary cover c/w gasket | | 8 716 100 557 0 | | NG | ■ | | | | | | | | | | | | |
| 23 | Inner casIng cover assembly | | 8 716 120 441 0 | | LPG | ■ | | | | | | | | | | | | |
| 23 | Inner casIng cover assembly | | 8 716 120 441 0 | | NG | ■ | | | | | | | | | | | | |
| 240-BSN 240-BSP | | | Superstructure D | | | | | | | | | | | | | | | 2 |

Spare parts list



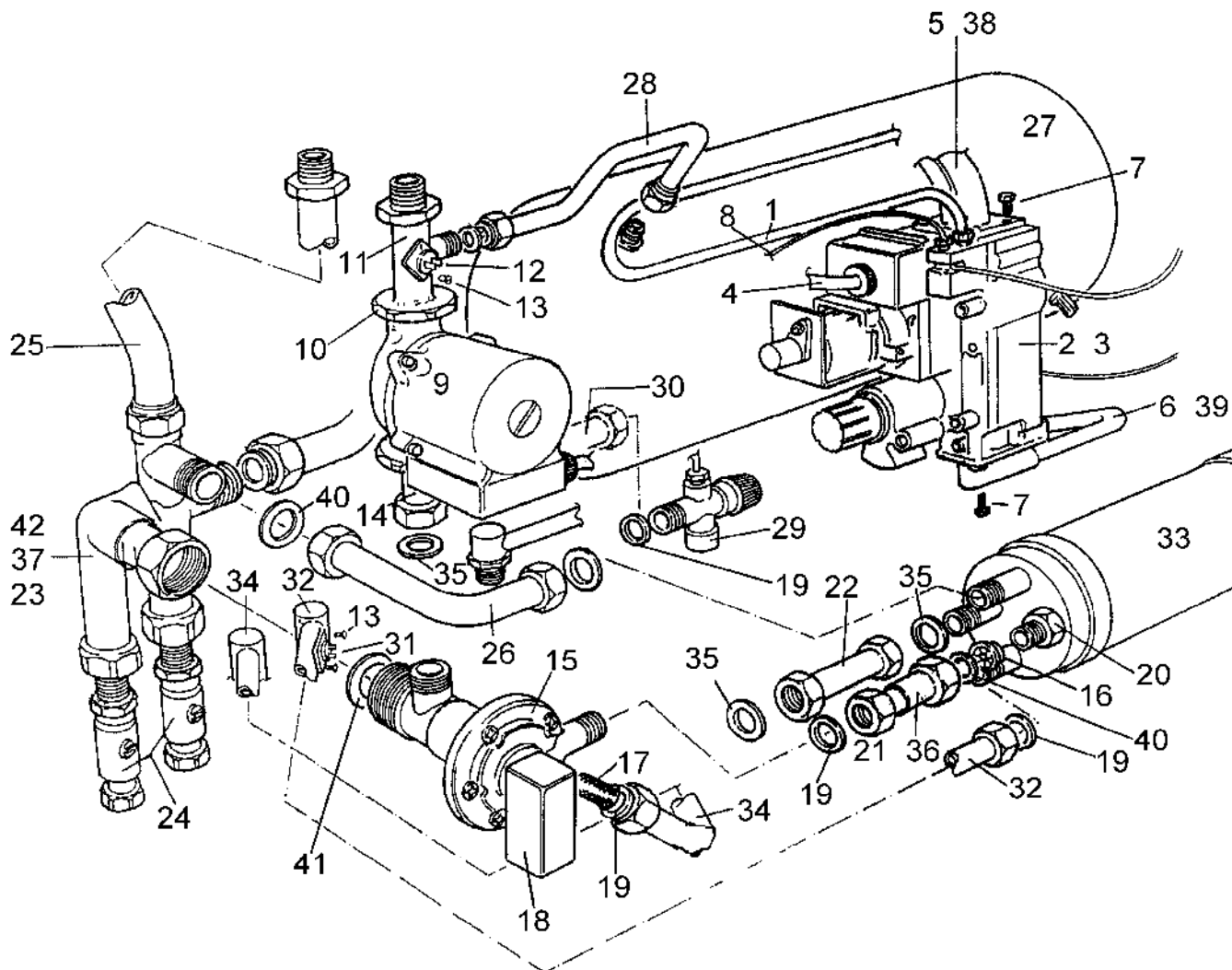
6720900132.AA

Superstructure
D

240-BSN 240-BSP

2

Spare parts list



6720900131.AA

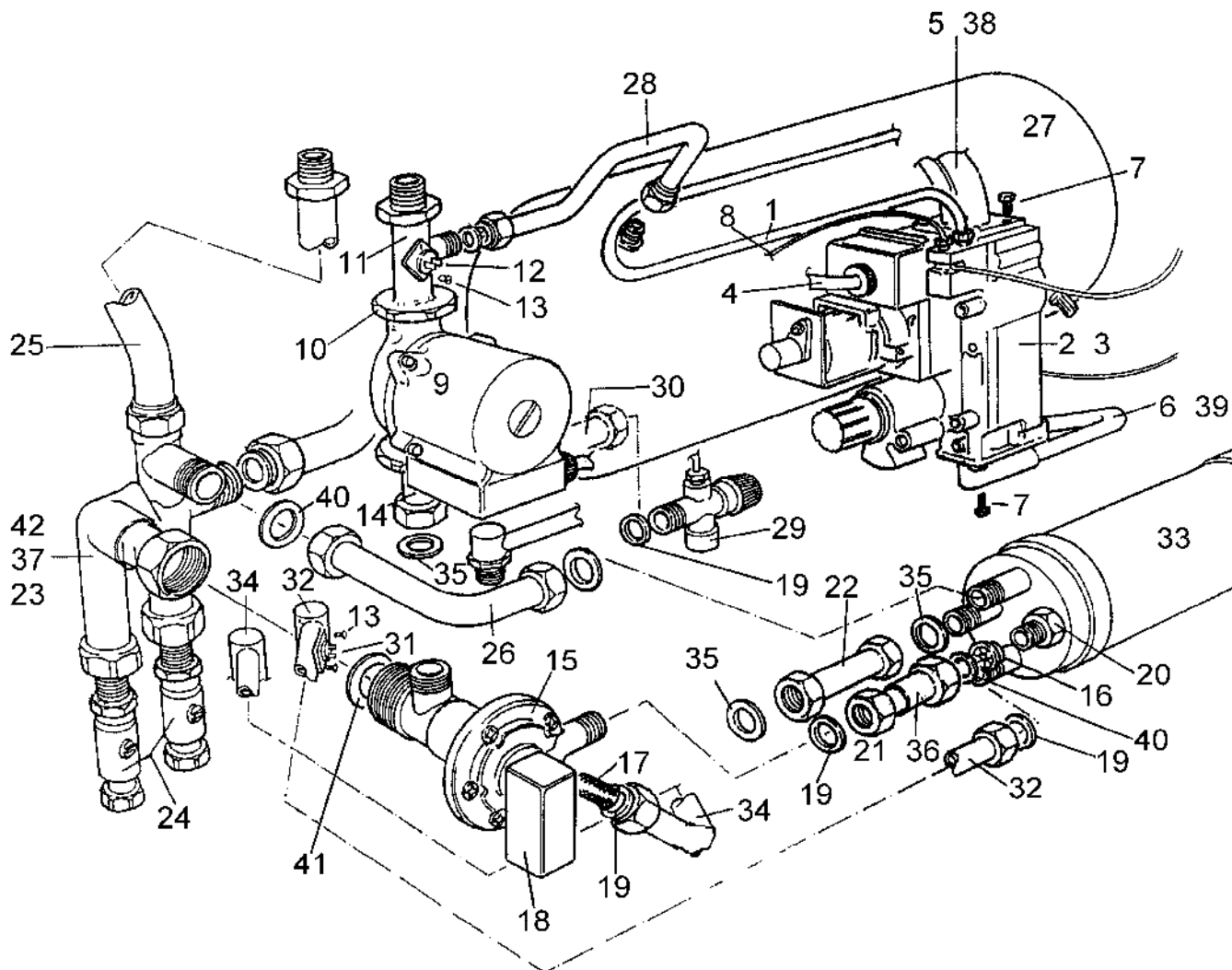
Pump / Hydraulic assy
D

240-BSN 240-BSP

3

| Pos | description | S-Nr | ordering no. | PG | gas type | 240-BSN | 240-BSP | | | | | | | | | | remarks |
|------------------------|---------------------------------------|------|----------------------------|----|----------|---------|---------|--|--|--|--|--|--|--|--|--|--------------------------|
| 1 | Pilot feed tube assembly | | 8 716 120 474 0 | | LPG | ■ | | | | | | | | | | | |
| 1 | Pilot feed tube assembly | | 8 716 120 474 0 | | NG | ■ | | | | | | | | | | | |
| 2 | Gas valve - lpg v4600n3079 | | 8 716 142 444 0 | | LPG | ■ | | | | | | | | | | | Version code: All Others |
| 2 | Gas valve rc 1/2 v4600n 3061 | | 8 716 142 495 0 | | NG | ■ | | | | | | | | | | | Version code: All Others |
| 2 | Gas valve v4600n2006 | | 8 716 156 708 0 | | NG | ■ | | | | | | | | | | | Version code: ADZ |
| 2 | Gas valve v4600n2022 lpg | | 8 716 156 709 0 | | LPG | ■ | | | | | | | | | | | Version code: ADZ |
| 3 | Gasket pack Gas c240 rsf | | 8 716 140 772 0 | | LPG | ■ | | | | | | | | | | | |
| 3 | Gasket pack Gas c240 rsf | | 8 716 140 772 0 | | NG | ■ | | | | | | | | | | | |
| 4 | Harness - gas valve of/bf | | 8 716 120 830 0 | | LPG | ■ | | | | | | | | | | | Version code: All Others |
| 4 | Harness - gas valve of/bf | | 8 716 120 830 0 | | NG | ■ | | | | | | | | | | | Version code: All Others |
| 4 | Harness gas valve of/bf/rsfe (e+) | | 8 716 120 876 0 | | LPG | ■ | | | | | | | | | | | Version code: ADZ,AFF |
| 4 | Harness gas valve of/bf/rsfe (e+) | | 8 716 120 876 0 | | NG | ■ | | | | | | | | | | | Version code: ADZ,AFF |
| 5 | Manifold-burner bf | | 8 716 143 025 0 | | LPG | ■ | | | | | | | | | | | |
| 5 | Manifold-burner bf | | 8 716 143 025 0 | | NG | ■ | | | | | | | | | | | |
| 6 | Pipe - gas inlet assembly 0458 | | 8 716 120 566 0 | | LPG | ■ | | | | | | | | | | | |
| 6 | Pipe - gas inlet assembly 0458 | | 8 716 120 566 0 | | NG | ■ | | | | | | | | | | | |
| 7 | Screw m5x10mm hex/slotted head | | 2 911 131 152 0 | 08 | LPG | ■ | | | | | | | | | | | |
| 7 | Screw m5x10mm hex/slotted head | | 2 911 131 152 0 | 08 | NG | ■ | | | | | | | | | | | |
| 8 | Thermocouple q309a2747 | | 8 716 142 324 0 | | LPG | ■ | | | | | | | | | | | |
| 8 | Thermocouple q309a2747 | | 8 716 142 324 0 | | NG | ■ | | | | | | | | | | | |
| 9 | Standard 15/60 Pump Head | | 8 716 113 594 0 | | LPG | ■ | | | | | | | | | | | |
| 9 | Standard 15/60 Pump Head | | 8 716 113 594 0 | | NG | ■ | | | | | | | | | | | |
| 9 | Pump UPS 15-60 12 OCL(50526639) | | 8 716 143 105 0 | 50 | LPG | ■ | | | | | | | | | | | |
| 9 | Pump UPS 15-60 12 OCL(50526639) | | 8 716 143 105 0 | 50 | NG | ■ | | | | | | | | | | | |
| 10 | Cap nut - 1 1/2 bsp (pump nut) | | 8 716 140 515 0 | | LPG | ■ | | | | | | | | | | | |
| 10 | Cap nut - 1 1/2 bsp (pump nut) | | 8 716 140 515 0 | | NG | ■ | | | | | | | | | | | |
| 11 | Pipe - pump flow fitting | | 8 716 148 024 0 | | LPG | ■ | | | | | | | | | | | |
| 11 | Pipe - pump flow fitting | | 8 716 148 024 0 | | NG | ■ | | | | | | | | | | | |
| 12 | Thermistor - sensor | | 8 716 142 319 0 | | LPG | ■ | | | | | | | | | | | |
| 12 | Thermistor - sensor | | 8 716 142 319 0 | | NG | ■ | | | | | | | | | | | |
| 13 | Screw m3x6mm zc pl p/h taptite | | 2 914 411 411 0 | 18 | LPG | ■ | | | | | | | | | | | |
| 13 | Screw m3x6mm zc pl p/h taptite | | 2 914 411 411 0 | 18 | NG | ■ | | | | | | | | | | | |
| 14 | Coupling assly(pump to div'r) | | 8 716 120 482 0 | | LPG | ■ | | | | | | | | | | | |
| 14 | Coupling assly(pump to div'r) | | 8 716 120 482 0 | | NG | ■ | | | | | | | | | | | |
| 15 | Diverter valve ref:- d2040 | | 8 716 142 419 0 | | LPG | ■ | | | | | | | | | | | |
| 15 | Diverter valve ref:- d2040 | | 8 716 142 419 0 | | NG | ■ | | | | | | | | | | | |
| 16 | Flow regulator type E-W 8 litre white | | 8 716 141 054 0 | 21 | LPG | ■ | | | | | | | | | | | |
| 16 | Flow regulator type E-W 8 litre white | | 8 716 141 054 0 | 21 | NG | ■ | | | | | | | | | | | |
| 17 | Water filter mpmv3326 st.st. | | 8 716 148 400 0 | 30 | LPG | ■ | | | | | | | | | | | |
| 17 | Water filter mpmv3326 st.st. | | 8 716 148 400 0 | 30 | NG | ■ | | | | | | | | | | | |
| 18 | Micro switch & harness | | 8 716 120 833 0 | 48 | LPG | ■ | | | | | | | | | | | |
| 18 | Micro switch & harness | | 8 716 120 833 0 | 48 | NG | ■ | | | | | | | | | | | |
| 19 | Washer 18.6 X 13.5 X 1.5 (10x) | | 8 710 103 045 0 | 11 | LPG | ■ | | | | | | | | | | | |
| 19 | Washer 18.6 X 13.5 X 1.5 (10x) | | 8 710 103 045 0 | 11 | NG | ■ | | | | | | | | | | | |
| 19 | Washer 18.6 x 13.5 x 1.5 (1x) | | 8 716 115 680 0 | | LPG | ■ | | | | | | | | | | | |
| 19 | Washer 18.6 x 13.5 x 1.5 (1x) | | 8 716 115 680 0 | | NG | ■ | | | | | | | | | | | |
| 20 | Flow regulator housing | | 8 716 140 244 0 | | LPG | ■ | | | | | | | | | | | |
| 20 | Flow regulator housing | | 8 716 140 244 0 | | NG | ■ | | | | | | | | | | | |
| 21 | Coupling assembly | | 8 716 120 507 0 | | LPG | ■ | | | | | | | | | | | |
| 21 | Coupling assembly | | 8 716 120 507 0 | | NG | ■ | | | | | | | | | | | |
| 22 | Pipe - flow assy wPipe - w ht ex 0452 | | 8 716 120 536 0 | | LPG | ■ | | | | | | | | | | | |
| 22 | Pipe - flow assy wPipe - w ht ex 0452 | | 8 716 120 536 0 | | NG | ■ | | | | | | | | | | | |
| 240-BSN 240-BSP | | | Pump / Hydraulic assy D | | | | | | | | | | | | | | 3 |

Spare parts list



6720900131.AA

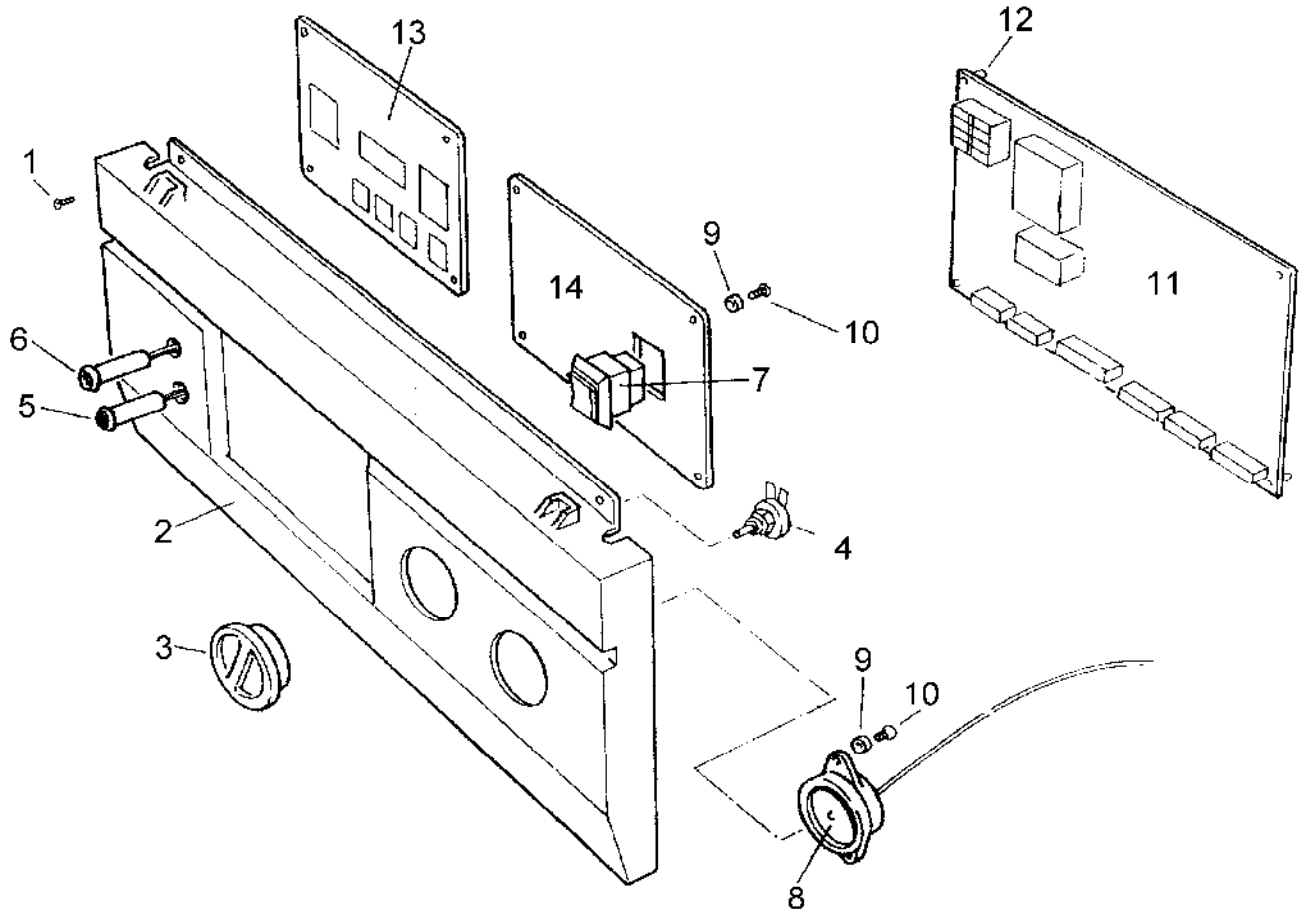
Pump / Hydraulic assy
D

240-BSN 240-BSP

3

| Pos | description | S-Nr | ordering no. | PG | gas type | 240-BSN | 240-BSP | | | | | | | | | | | | remarks |
|------------------------|--------------------------------------|------|----------------------------|----|----------|---------|---------|--|--|--|--|--|--|--|--|--|--|----------|---------|
| 23 | Valve by-pass assembly | | 8 716 120 508 0 | | LPG | ■ | | | | | | | | | | | | | |
| 23 | Valve by-pass assembly | | 8 716 120 508 0 | | NG | ■ | | | | | | | | | | | | | |
| 24 | Valve 22mm bulkhead (balltype) | | 8 716 142 435 0 | | LPG | ■ | | | | | | | | | | | | | |
| 24 | Valve 22mm bulkhead (balltype) | | 8 716 142 435 0 | | NG | ■ | | | | | | | | | | | | | |
| 25 | Pipe - return assembly | | 8 716 120 574 0 | | LPG | ■ | | | | | | | | | | | | | |
| 25 | Pipe - return assembly | | 8 716 120 574 0 | | NG | ■ | | | | | | | | | | | | | |
| 26 | Pipe - w-w ht ex return 0454 | | 8 716 100 392 0 | | LPG | ■ | | | | | | | | | | | | | |
| 26 | Pipe - w-w ht ex return 0454 | | 8 716 100 392 0 | | NG | ■ | | | | | | | | | | | | | |
| 27 | Expansion Vessel Zilmnett 10L | | 8 716 111 386 0 | | LPG | ■ | | | | | | | | | | | | | |
| 27 | Expansion Vessel Zilmnett 10L | | 8 716 111 386 0 | | NG | ■ | | | | | | | | | | | | | |
| 28 | Pipe - expansion vess. assy 0461 | | 8 716 120 422 0 | | LPG | ■ | | | | | | | | | | | | | |
| 28 | Pipe - expansion vess. assy 0461 | | 8 716 120 422 0 | | NG | ■ | | | | | | | | | | | | | |
| 29 | Valve pr.rel.1/2 x15mmx1/8 | | 8 716 142 416 0 | 37 | LPG | ■ | | | | | | | | | | | | | |
| 29 | Valve pr.rel.1/2 x15mmx1/8 | | 8 716 142 416 0 | 37 | NG | ■ | | | | | | | | | | | | | |
| 30 | Pipe - pressure relief assy 0459 | | 8 716 120 533 0 | | LPG | ■ | | | | | | | | | | | | | |
| 30 | Pipe - pressure relief assy 0459 | | 8 716 120 533 0 | | NG | ■ | | | | | | | | | | | | | |
| 31 | Harness sensor (dhw) | | 8 716 120 850 0 | | LPG | ■ | | | | | | | | | | | | | |
| 31 | Harness sensor (dhw) | | 8 716 120 850 0 | | NG | ■ | | | | | | | | | | | | | |
| 32 | Pipe - domestic outlet 0455 | | 8 716 120 570 0 | | LPG | ■ | | | | | | | | | | | | | |
| 32 | Pipe - domestic outlet 0455 | | 8 716 120 570 0 | | NG | ■ | | | | | | | | | | | | | |
| 33 | Water to Water heat exchanger | | 8 716 120 560 0 | | LPG | ■ | | | | | | | | | | | | | |
| 33 | Water to Water heat exchanger | | 8 716 120 560 0 | | NG | ■ | | | | | | | | | | | | | |
| 34 | Pipe - dom water inlet assy 0456 | | 8 716 120 571 0 | | LPG | ■ | | | | | | | | | | | | | |
| 34 | Pipe - dom water inlet assy 0456 | | 8 716 120 571 0 | | NG | ■ | | | | | | | | | | | | | |
| 35 | Fibre washer 23.9 X 17.2 X 1.5 (10x) | | 8 710 103 043 0 | 12 | LPG | ■ | | | | | | | | | | | | | |
| 35 | Fibre washer 23.9 X 17.2 X 1.5 (10x) | | 8 710 103 043 0 | 12 | NG | ■ | | | | | | | | | | | | | |
| 35 | Washer 23.9 x 17.2 x 1.5 (X1) | | 8 716 115 674 0 | | LPG | ■ | | | | | | | | | | | | | |
| 35 | Washer 23.9 x 17.2 x 1.5 (X1) | | 8 716 115 674 0 | | NG | ■ | | | | | | | | | | | | | |
| 36 | O-Ring 2.62 x 11.91 id nitrile | | 8 716 140 802 0 | 15 | LPG | ■ | | | | | | | | | | | | | |
| 36 | O-Ring 2.62 x 11.91 id nitrile | | 8 716 140 802 0 | 15 | NG | ■ | | | | | | | | | | | | | |
| 37 | O-Ring 2.40 x 7.60 id nitrile | | 8 716 140 808 0 | 17 | LPG | ■ | | | | | | | | | | | | | |
| 37 | O-Ring 2.40 x 7.60 id nitrile | | 8 716 140 808 0 | 17 | NG | ■ | | | | | | | | | | | | | |
| 38 | O-Ring 17.6 ID X 2.4 EP | | 8 716 140 820 0 | 02 | LPG | ■ | | | | | | | | | | | | | |
| 38 | O-Ring 17.6 ID X 2.4 EP | | 8 716 140 820 0 | 02 | NG | ■ | | | | | | | | | | | | | |
| 39 | O-Ring 3.53 x 25.8 i/d h-nitrile | | 8 716 140 821 0 | | LPG | ■ | | | | | | | | | | | | | |
| 39 | O-Ring 3.53 x 25.8 i/d h-nitrile | | 8 716 140 821 0 | | NG | ■ | | | | | | | | | | | | | |
| 40 | Washer 24 x 12 x 1.50 | | 8 716 140 919 0 | | LPG | ■ | | | | | | | | | | | | | |
| 40 | Washer 24 x 12 x 1.50 | | 8 716 140 919 0 | | NG | ■ | | | | | | | | | | | | | |
| 41 | washer 30.5x22.2x1.5 | | 8 716 140 920 0 | 13 | LPG | ■ | | | | | | | | | | | | | |
| 41 | washer 30.5x22.2x1.5 | | 8 716 140 920 0 | 13 | NG | ■ | | | | | | | | | | | | | |
| 42 | Circlip anderton 1300-17 | | 8 716 148 329 0 | | LPG | ■ | | | | | | | | | | | | | |
| 42 | Circlip anderton 1300-17 | | 8 716 148 329 0 | | NG | ■ | | | | | | | | | | | | | |
| | Screw by-pass | | 8 716 140 254 0 | | LPG | ■ | | | | | | | | | | | | | |
| | Screw by-pass | | 8 716 140 254 0 | | NG | ■ | | | | | | | | | | | | | |
| | Gasket pack water c240rsf | | 8 716 140 771 0 | | LPG | ■ | | | | | | | | | | | | | |
| | Gasket pack water c240rsf | | 8 716 140 771 0 | | NG | ■ | | | | | | | | | | | | | |
| | Gas cock 1/2 bspt & g5/8 ma | | 8 716 142 424 0 | | LPG | ■ | | | | | | | | | | | | | |
| | Gas cock 1/2 bspt & g5/8 ma | | 8 716 142 424 0 | | NG | ■ | | | | | | | | | | | | | |
| | Valve 15mmx1/2f swivel | | 8 716 142 427 0 | | LPG | ■ | | | | | | | | | | | | | |
| | Valve 15mmx1/2f swivel | | 8 716 142 427 0 | | NG | ■ | | | | | | | | | | | | | |
| 240-BSN 240-BSP | | | Pump / Hydraulic assy D | | | | | | | | | | | | | | | 3 | |

Spare parts list



6720900133.AA

Electrical Box Assembly
D

240-BSN 240-BSP

4

| Pos | description | S-Nr | ordering no. | PG | gas type | 240-BSN | 240-BSP | | | | | | | | | | | | remarks |
|------------------------|-------------------------------------|------|------------------------------|----|----------|---------|---------|--|--|--|--|--|--|--|--|--|--|----------|---------|
| 1 | Screw no.8x1/2 f/h type b self tap. | | 2 912 421 225 0 | 16 | LPG | ■ | | | | | | | | | | | | | |
| 1 | Screw no.8x1/2 f/h type b self tap. | | 2 912 421 225 0 | 16 | NG | ■ | | | | | | | | | | | | | |
| 2 | Facia assembly | | 8 716 120 575 0 | | LPG | ■ | | | | | | | | | | | | | |
| 2 | Facia assembly | | 8 716 120 575 0 | | NG | ■ | | | | | | | | | | | | | |
| 3 | Knob control | | 8 716 141 086 0 | | LPG | ■ | | | | | | | | | | | | | |
| 3 | Knob control | | 8 716 141 086 0 | | NG | ■ | | | | | | | | | | | | | |
| 4 | Harness potentiometer | | 8 716 120 909 0 | | LPG | ■ | | | | | | | | | | | | | |
| 4 | Harness potentiometer | | 8 716 120 909 0 | | NG | ■ | | | | | | | | | | | | | |
| 5 | Lamp green c/w connectors | | 8 716 120 862 0 | | LPG | ■ | | | | | | | | | | | | | |
| 5 | Lamp green c/w connectors | | 8 716 120 862 0 | | NG | ■ | | | | | | | | | | | | | |
| 6 | Lamp amber c/w connectors | | 8 716 120 861 0 | | LPG | ■ | | | | | | | | | | | | | |
| 6 | Lamp amber c/w connectors | | 8 716 120 861 0 | | NG | ■ | | | | | | | | | | | | | |
| 7 | Switch arrow200400e839 aa 3pos | | 8 716 146 106 0 | | LPG | ■ | | | | | | | | | | | | | |
| 7 | Switch arrow200400e839 aa 3pos | | 8 716 146 106 0 | | NG | ■ | | | | | | | | | | | | | |
| 8 | Pressure gauge & Washer | | 8 716 142 326 0 | | LPG | ■ | | | | | | | | | | | | | |
| 8 | Pressure gauge & Washer | | 8 716 142 326 0 | | NG | ■ | | | | | | | | | | | | | |
| 9 | Washer nylon 6mm x 10mm x 5mm | | 8 716 141 078 0 | | LPG | ■ | | | | | | | | | | | | | |
| 9 | Washer nylon 6mm x 10mm x 5mm | | 8 716 141 078 0 | | NG | ■ | | | | | | | | | | | | | |
| 10 | Screw iso no 6b x 9.5 recessed | | 2 912 421 210 0 | 07 | LPG | ■ | | | | | | | | | | | | | |
| 10 | Screw iso no 6b x 9.5 recessed | | 2 912 421 210 0 | 07 | NG | ■ | | | | | | | | | | | | | |
| 11 | Mother driver board w4115b1226 | | 8 716 146 304 0 | | LPG | ■ | | | | | | | | | | | | | |
| 11 | Mother driver board w4115b1226 | | 8 716 146 304 0 | | NG | ■ | | | | | | | | | | | | | |
| 12 | Pcb black nylon pillars | | 8 716 141 060 0 | | LPG | ■ | | | | | | | | | | | | | |
| 12 | Pcb black nylon pillars | | 8 716 141 060 0 | | NG | ■ | | | | | | | | | | | | | |
| 13 | Electronic timer-s230e7 | | 7 716 192 008 0 | | LPG | ■ | | | | | | | | | | | | | |
| 13 | Electronic timer-s230e7 | | 7 716 192 008 0 | | NG | ■ | | | | | | | | | | | | | |
| 13 | Mechanical timer-s230m1 | | 7 716 192 009 0 | | LPG | ■ | | | | | | | | | | | | | |
| 13 | Mechanical timer-s230m1 | | 7 716 192 009 0 | | NG | ■ | | | | | | | | | | | | | |
| 14 | Inset plate | | 8 716 141 100 0 | | LPG | ■ | | | | | | | | | | | | | |
| 14 | Inset plate | | 8 716 141 100 0 | | NG | ■ | | | | | | | | | | | | | |
| | Harness-grunfoss 910mm | | 8 716 120 838 0 | | LPG | ■ | | | | | | | | | | | | | |
| | Harness-grunfoss 910mm | | 8 716 120 838 0 | | NG | ■ | | | | | | | | | | | | | |
| | Harness sensor (c.h.) | | 8 716 120 849 0 | | LPG | ■ | | | | | | | | | | | | | |
| | Harness sensor (c.h.) | | 8 716 120 849 0 | | NG | ■ | | | | | | | | | | | | | |
| | Harness mains lead | | 8 716 120 859 0 | | LPG | ■ | | | | | | | | | | | | | |
| | Harness mains lead | | 8 716 120 859 0 | | NG | ■ | | | | | | | | | | | | | |
| | Harness modureg | | 8 716 120 877 0 | | LPG | ■ | | | | | | | | | | | | | |
| | Harness modureg | | 8 716 120 877 0 | | NG | ■ | | | | | | | | | | | | | |
| | Harness-pump over-run | | 8 716 120 881 0 | | LPG | ■ | | | | | | | | | | | | | |
| | Harness-pump over-run | | 8 716 120 881 0 | | NG | ■ | | | | | | | | | | | | | |
| | Harness earth lead cHassis e+ | | 8 716 120 883 0 | | LPG | ■ | | | | | | | | | | | | | |
| | Harness earth lead cHassis e+ | | 8 716 120 883 0 | | NG | ■ | | | | | | | | | | | | | |
| | Harness earth lead pcb e+ | | 8 716 120 884 0 | | LPG | ■ | | | | | | | | | | | | | |
| | Harness earth lead pcb e+ | | 8 716 120 884 0 | | NG | ■ | | | | | | | | | | | | | |
| | Harness 3way switch | | 8 716 120 910 0 | | LPG | ■ | | | | | | | | | | | | | |
| | Harness 3way switch | | 8 716 120 910 0 | | NG | ■ | | | | | | | | | | | | | |
| | Potentiometer adjuster - nylon | | 8 716 141 068 0 | 15 | LPG | ■ | | | | | | | | | | | | | |
| | Potentiometer adjuster - nylon | | 8 716 141 068 0 | 15 | NG | ■ | | | | | | | | | | | | | |
| | Fuse 315ma anti-surge 20mm lg | | 8 716 156 010 0 | | LPG | ■ | | | | | | | | | | | | | |
| | Fuse 315ma anti-surge 20mm lg | | 8 716 156 010 0 | | NG | ■ | | | | | | | | | | | | | |
| 240-BSN 240-BSP | | | Electrical Box Assembly D | | | | | | | | | | | | | | | 4 | |

**ADDITIONAL SPARE PARTS
FOR APPLIANCE
NOT DRAWN**

9099

6720900999.AA

Additional Spare Part
D

9

240-BSN 240-BSP

List of translations

| | | | |
|----------|--|--|--|
| Pos | | | |
| 1 | | | |
| 2 | | | |
| 3 | | | |
| 4 | | | |
| 5 | | | |
| 6 | | | |
| 7 | | | |
| 2 | | | |
| 1 | | | |
| 2 | | | |
| 3 | | | |
| 4 | | | |
| 5 | | | |
| 6 | | | |
| 7 | | | |
| 8 | | | |
| 9 | | | |
| 10 | | | |
| 11 | | | |
| 12 | | | |
| 13 | | | |
| 14 | | | |
| 15 | | | |
| 16 | | | |
| 17 | | | |
| 18 | | | |
| 19 | | | |
| 20 | | | |
| 21 | | | |
| 22 | | | |
| 23 | | | |
| 24 | | | |
| 25 | | | |
| 26 | | | |
| 27 | | | |
| 28 | | | |
| | | | |
| 3 | | | |
| 1 | | | |
| 2 | | | |
| 3 | | | |
| 4 | | | |
| 5 | | | |
| 6 | | | |
| 7 | | | |
| 8 | | | |
| 9 | | | |
| 10 | | | |
| 11 | | | |
| 12 | | | |
| 13 | | | |
| 14 | | | |
| 15 | | | |
| 16 | | | |
| Pos | | | |
| 17 | | | |
| 18 | | | |

