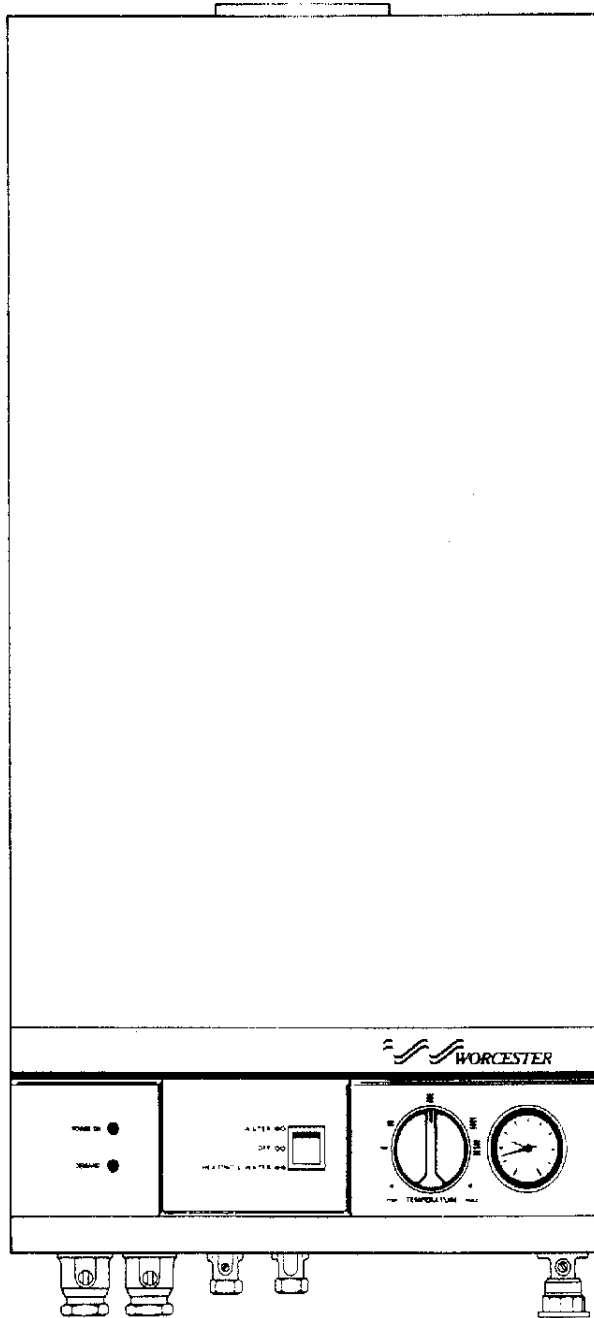


# 240 OF

- 1 Casing
- 2 Superstructure
- 3 Pump & Hydraulic Assy
- 4 Electrical Box Assy
- 9 Additional Spare Parts

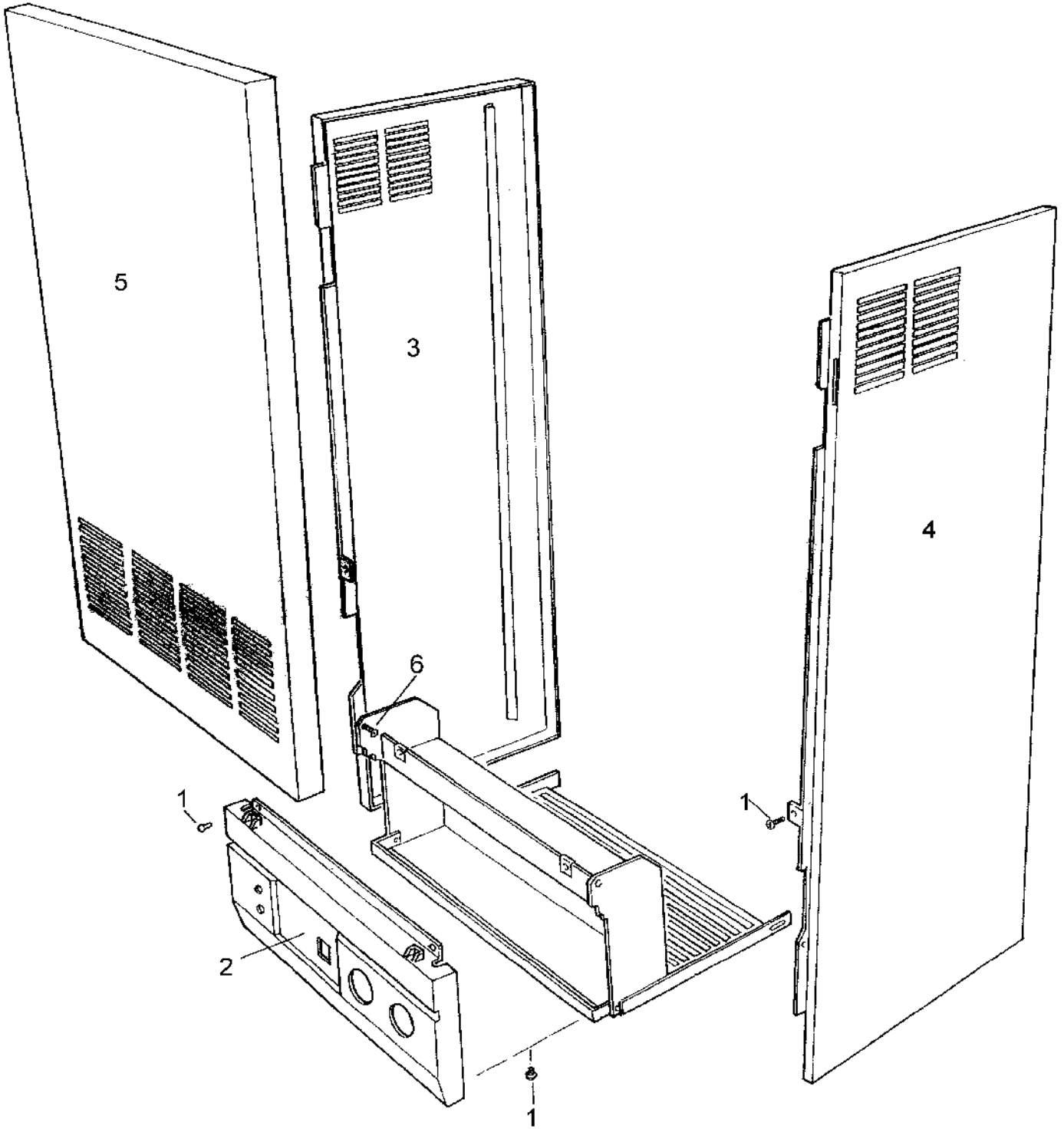


6720900138.AA





Spare parts list



6720900134.AA

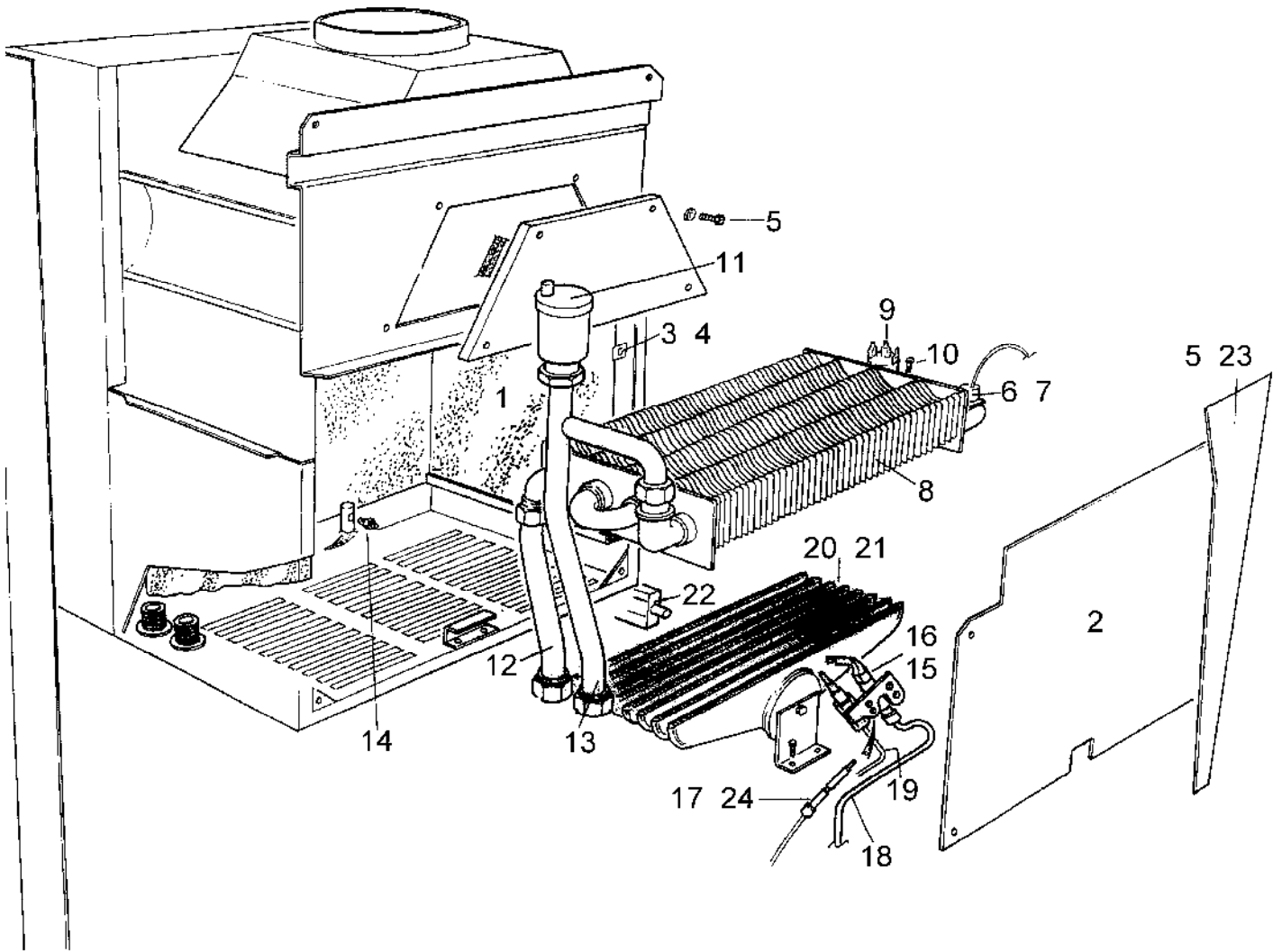
Casing  
D

240-OSN 240-OSP

1



Spare parts list



6720900135.AA

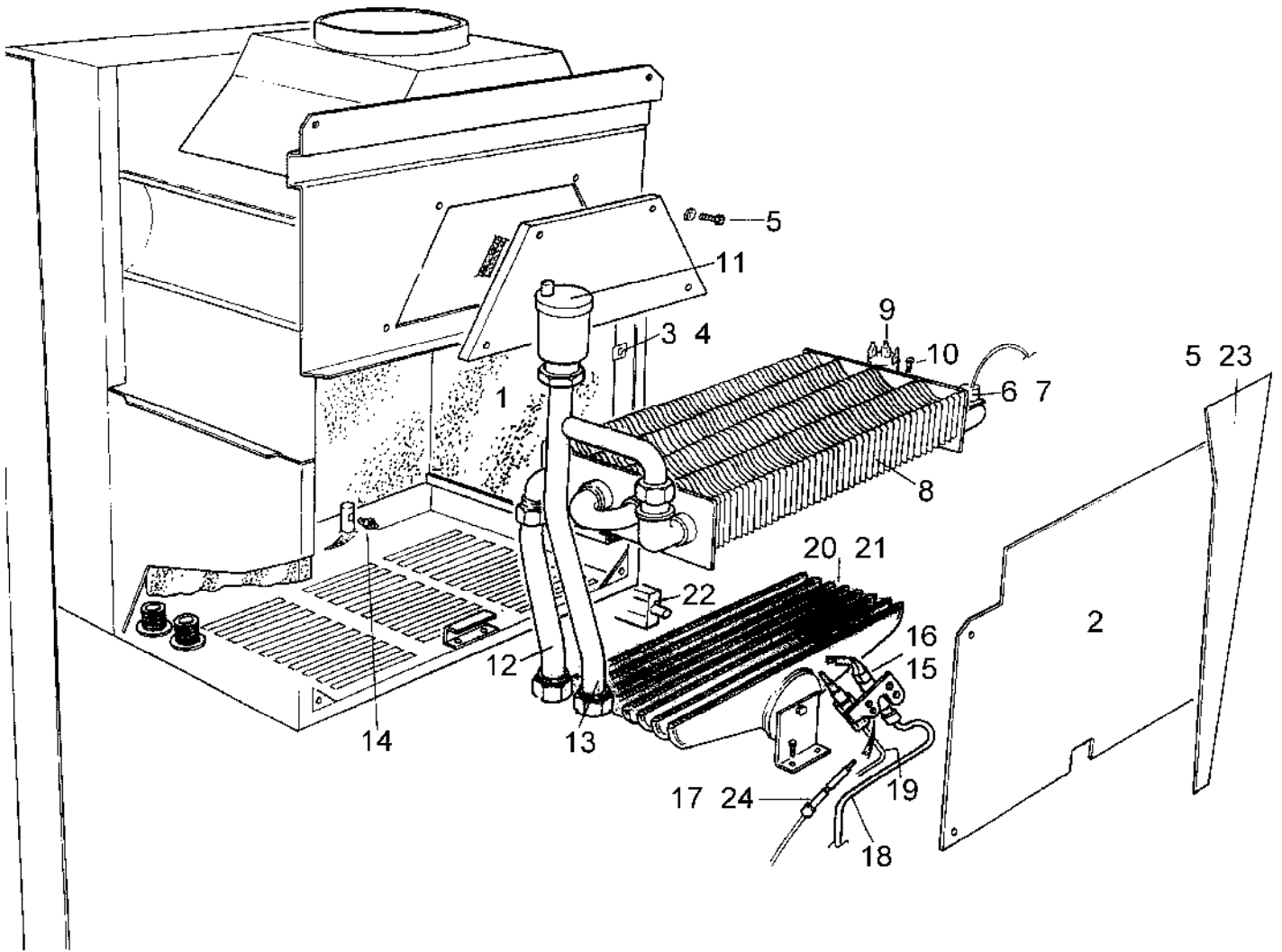
Superstructure  
D

240-OSN 240-OSP

2

Pos	description	S-Nr	ordering no.	PG	gas type	240-OSN	240-OSP											remarks
1	Cer.fib.brd.15x230x311mm 240 OF & BF		8 716 142 266 0		LPG	■												
1	Cer.fib.brd.15x230x311mm 240 OF & BF		8 716 142 266 0		NG	■												
1	Cer.fib.brd.15x176x212mm 240 OF & BF		8 716 142 271 0		LPG	■												
1	Cer.fib.brd.15x176x212mm 240 OF & BF		8 716 142 271 0		NG	■												
1	Cer.fib.brd.15x280x311mm 240 OF & BF		8 716 142 272 0		LPG	■												
1	Cer.fib.brd.15x280x311mm 240 OF & BF		8 716 142 272 0		NG	■												
1	Comb. chamber insulation kit		8 716 142 293 0		LPG	■												
1	Comb. chamber insulation kit		8 716 142 293 0		NG	■												
2	Combustion chamber front assy		8 716 120 464 0		LPG	■												
2	Combustion chamber front assy		8 716 120 464 0		NG	■												
3	Nut Captive No:8		8 716 148 204 0	16	LPG	■												
3	Nut Captive No:8		8 716 148 204 0	16	NG	■												
4	Screw no.8x1/2 f/h type b self tap.		2 912 421 225 0	16	LPG	■												
4	Screw no.8x1/2 f/h type b self tap.		2 912 421 225 0	16	NG	■												
5	Screw no8 x 1 pozi fl hd st ms zp		2 912 421 029 0	08	LPG	■												
5	Screw no8 x 1 pozi fl hd st ms zp		2 912 421 029 0	08	NG	■												
6	Stat overheat c/w leads (short)		8 716 120 903 0		LPG	■												
6	Stat overheat c/w leads (short)		8 716 120 903 0		NG	■												
7	Screw m3x6mm zc pl p/h taptite		2 914 411 411 0	18	LPG	■												
7	Screw m3x6mm zc pl p/h taptite		2 914 411 411 0	18	NG	■												
8	Gas to water heat exchanger		8 716 142 802 0		LPG	■												
8	Gas to water heat exchanger		8 716 142 802 0		NG	■												
9	T/stat T/disc 60t13500103		8 716 142 362 0		LPG	■												
9	T/stat T/disc 60t13500103		8 716 142 362 0		NG	■												
10	Screw m4x10mm taptite Scr zc pl p/h		2 914 411 408 0		LPG	■												
10	Screw m4x10mm taptite Scr zc pl p/h		2 914 411 408 0		NG	■												
11	Air-vent automatic 3/8 (ss kit)		8 716 140 500 0	35	LPG	■												
11	Air-vent automatic 3/8 (ss kit)		8 716 140 500 0	35	NG	■												
12	Pipe - heat ex. return assy 0470		8 716 120 467 0		LPG	■												
12	Pipe - heat ex. return assy 0470		8 716 120 467 0		NG	■												
13	Pipe - heat ex. flow assy 0471		8 716 120 466 0		LPG	■												
13	Pipe - heat ex. flow assy 0471		8 716 120 466 0		NG	■												
14	Main burner injector 4.4 dia.		8 716 156 337 0		NG	■												
14	Injec. lpg 1/8 x120degx2.8di		8 716 156 338 0		LPG	■												
15	Pilot burner q385a2010		8 716 142 614 0		LPG	■												
15	Pilot burner q385a2010		8 716 142 614 0		NG	■												
16	Injector(pilot)lpg		8 716 148 153 0		LPG	■												
16	Injector(pilot)		8 716 156 300 0		NG	■												
17	Spark electrode		8 716 142 104 0		LPG	■												
17	Spark electrode		8 716 142 104 0		NG	■												
18	Pilot feed tube assembly		8 716 120 465 0		LPG	■												
18	Pilot feed tube assembly		8 716 120 465 0		NG	■												
19	Thermocouple q309a2747		8 716 142 324 0		LPG	■												
19	Thermocouple q309a2747		8 716 142 324 0		NG	■												
20	Burner aeromatic lpg		8 716 142 608 0		LPG	■												
20	Burner aeromatic lpg		8 716 142 608 0		NG	■												
21	Burner gauze		8 716 142 601 0	27	LPG	■												
22	Spark ignitor		8 716 142 126 0		LPG	■												
22	Spark ignitor		8 716 142 126 0		NG	■												
23	Inner cover panel of		8 716 100 637 0		LPG	■												
23	Inner cover panel of		8 716 100 637 0		NG	■												
24	Lead assy 0.7 ptfle cabLe 570mm		8 716 146 642 0		LPG	■												
<b>240-OSN 240-OSP</b>			Superstructure D															<b>2</b>

Spare parts list



6720900135.AA

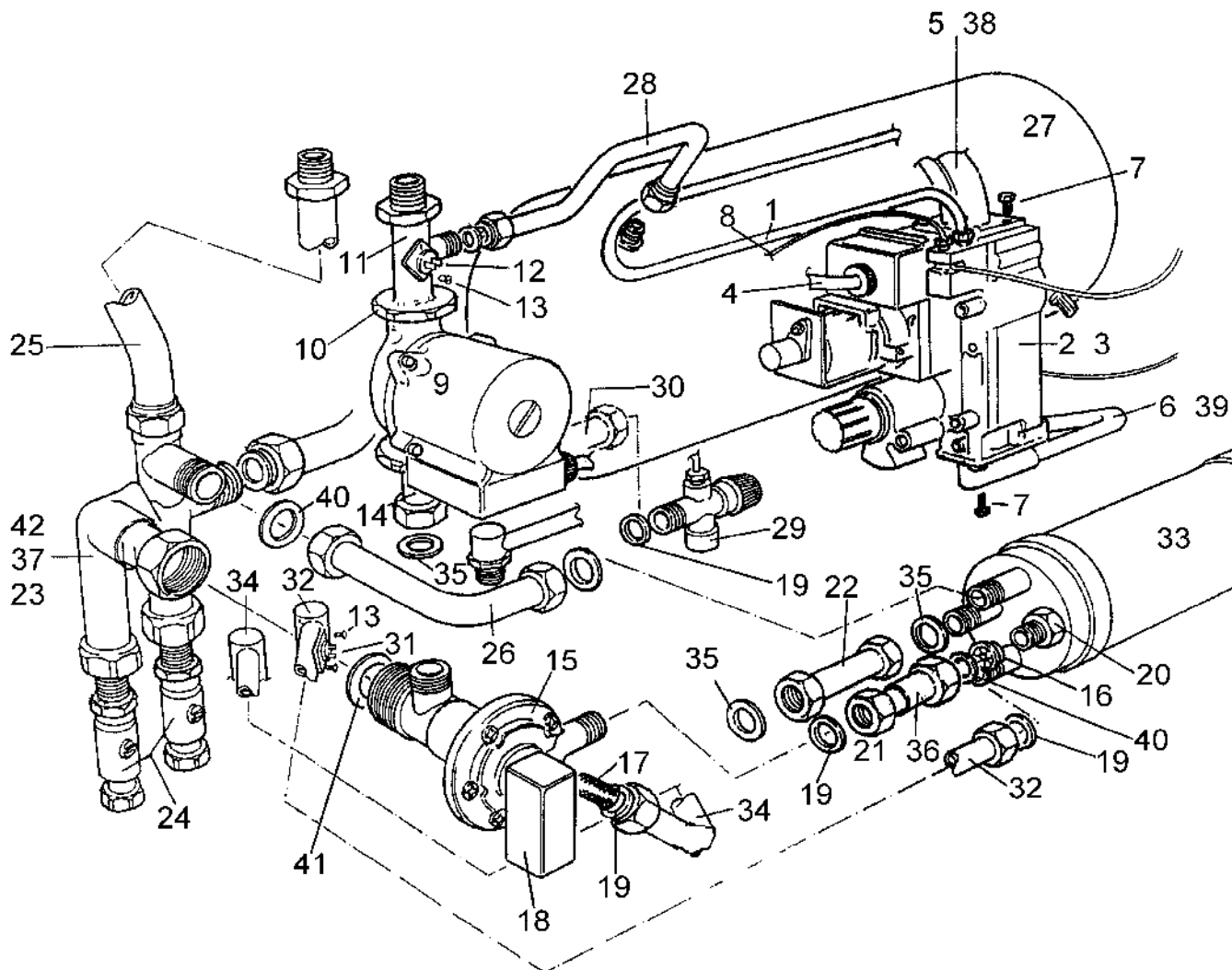
Superstructure  
D

240-OSN 240-OSP

2



Spare parts list



6720900131.AA

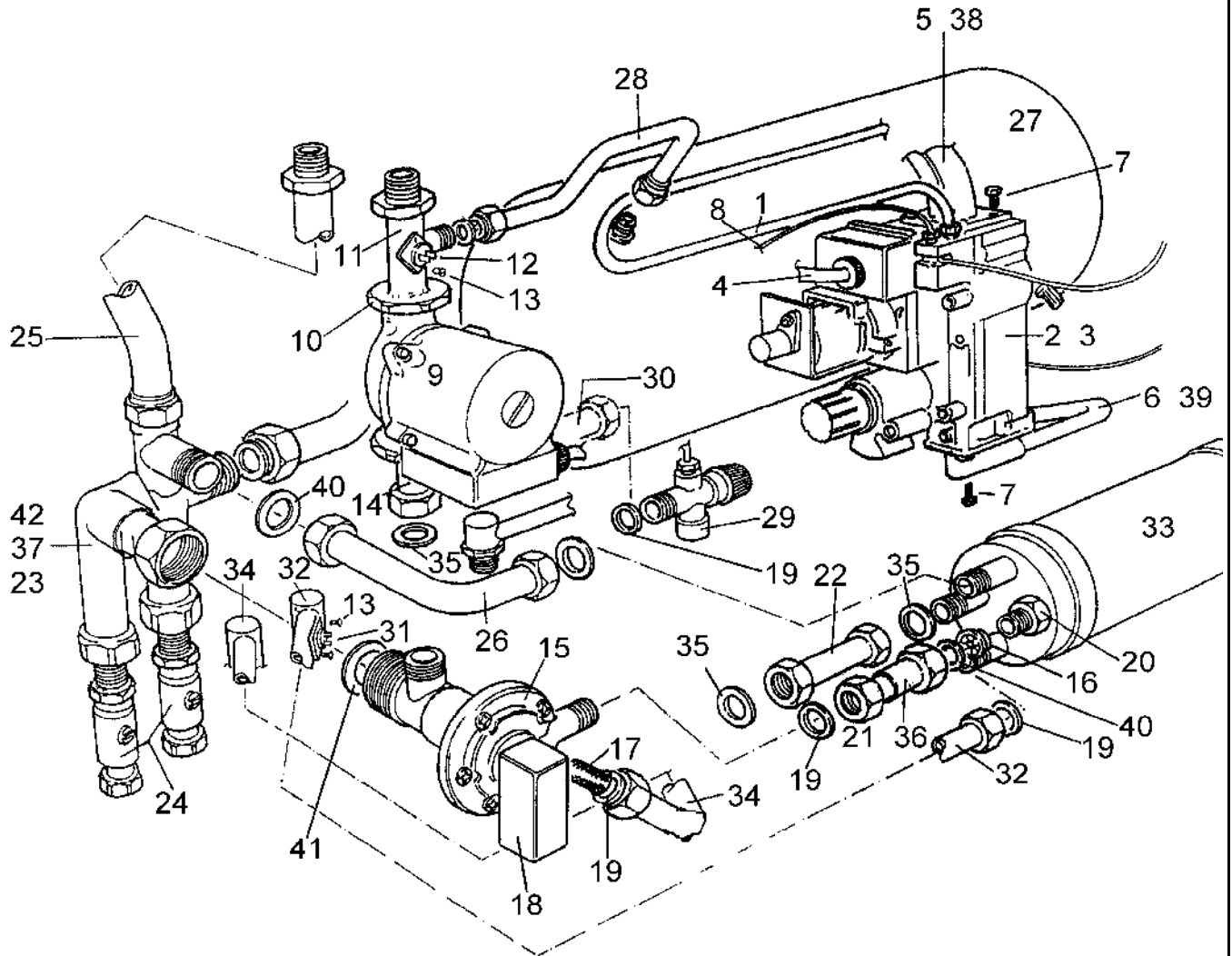
Pump / Hydraulic assy  
D

240-OSN 240-OSP

**3**

Pos	description	S-Nr	ordering no.	PG	gas type	240-OSN	240-OSP											remarks
1	Pilot feed tube assembly		8 716 120 465 0		LPG	■												
1	Pilot feed tube assembly		8 716 120 465 0		NG	■												
2	Gas valve - lpg v4600n3079		8 716 142 444 0		LPG	■												Version code: All Others
2	Gas valve rc 1/2 v4600n 3061		8 716 142 495 0		NG	■												Version code: All Others
2	Gas valve v4600n2006		8 716 156 708 0		NG	■												Version code: ADZ,AFF
2	Gas valve v4600n2022 lpg		8 716 156 709 0		LPG	■												Version code: ADZ,AFF
3	Gasket pack Gas c240 rsf		8 716 140 772 0		LPG	■												
3	Gasket pack Gas c240 rsf		8 716 140 772 0		NG	■												
4	Harness gas valve & limit stat		8 716 120 349 0		LPG	■												Version code: All Others
4	Harness gas valve & limit stat		8 716 120 349 0		NG	■												Version code: All Others
4	Harness gas valve of/bf/rsfe (e+)		8 716 120 876 0		LPG	■												Version code: ADZ,AFF
4	Harness gas valve of/bf/rsfe (e+)		8 716 120 876 0		NG	■												Version code: ADZ,AFF
5	Manifold-burner of		8 716 143 024 0		LPG	■												
5	Manifold-burner of		8 716 143 024 0		NG	■												
6	Pipe - gas inlet assembly 0458		8 716 120 566 0		LPG	■												
6	Pipe - gas inlet assembly 0458		8 716 120 566 0		NG	■												
7	Screw m5x10mm hex/slotted head		2 911 131 152 0	08	LPG	■												
7	Screw m5x10mm hex/slotted head		2 911 131 152 0	08	NG	■												
8	Thermocouple q309a2747		8 716 142 324 0		LPG	■												
8	Thermocouple q309a2747		8 716 142 324 0		NG	■												
9	Standard 15/60 Pump Head		8 716 113 594 0		LPG	■												
9	Standard 15/60 Pump Head		8 716 113 594 0		NG	■												
9	Pump UPS 15-60 12 OCL(50526639)		8 716 143 105 0	50	LPG	■												
9	Pump UPS 15-60 12 OCL(50526639)		8 716 143 105 0	50	NG	■												
10	Cap nut - 1 1/2 bsp ( pump nut )		8 716 140 515 0		LPG	■												
10	Cap nut - 1 1/2 bsp ( pump nut )		8 716 140 515 0		NG	■												
11	Pipe - pump flow fitting		8 716 148 024 0		LPG	■												
11	Pipe - pump flow fitting		8 716 148 024 0		NG	■												
12	Thermistor - sensor		8 716 142 319 0		LPG	■												
12	Thermistor - sensor		8 716 142 319 0		NG	■												
13	Screw m3x6mm zc pl p/h taptite		2 914 411 411 0	18	LPG	■												
13	Screw m3x6mm zc pl p/h taptite		2 914 411 411 0	18	NG	■												
14	Coupling assly(pump to div'r)		8 716 120 482 0		LPG	■												
14	Coupling assly(pump to div'r)		8 716 120 482 0		NG	■												
15	Diverter valve ref:- d2040		8 716 142 419 0		LPG	■												
15	Diverter valve ref:- d2040		8 716 142 419 0		NG	■												
16	Flow regulator type E-W 8 litre white		8 716 141 054 0	21	LPG	■												
16	Flow regulator type E-W 8 litre white		8 716 141 054 0	21	NG	■												
17	Water filter mpmv3326 st.st.		8 716 148 400 0	30	LPG	■												
17	Water filter mpmv3326 st.st.		8 716 148 400 0	30	NG	■												
18	Micro switch & harness		8 716 120 833 0	48	LPG	■												
18	Micro switch & harness		8 716 120 833 0	48	NG	■												
19	Washer 18.6 X 13.5 X 1.5 (10x)		8 710 103 045 0	11	LPG	■												
19	Washer 18.6 X 13.5 X 1.5 (10x)		8 710 103 045 0	11	NG	■												
19	Washer 18.6 x 13.5 x 1.5 (1x)		8 716 115 680 0		LPG	■												
19	Washer 18.6 x 13.5 x 1.5 (1x)		8 716 115 680 0		NG	■												
20	Flow regulator housing		8 716 140 244 0		LPG	■												
20	Flow regulator housing		8 716 140 244 0		NG	■												
21	Coupling assembly		8 716 120 507 0		LPG	■												
21	Coupling assembly		8 716 120 507 0		NG	■												
22	Pipe - flow assy wPipe - w ht ex 0452		8 716 120 536 0		LPG	■												
22	Pipe - flow assy wPipe - w ht ex 0452		8 716 120 536 0		NG	■												
<b>240-OSN 240-OSP</b>			Pump / Hydraulic assy D															<b>3</b>

# Spare parts list



6720900131.AA

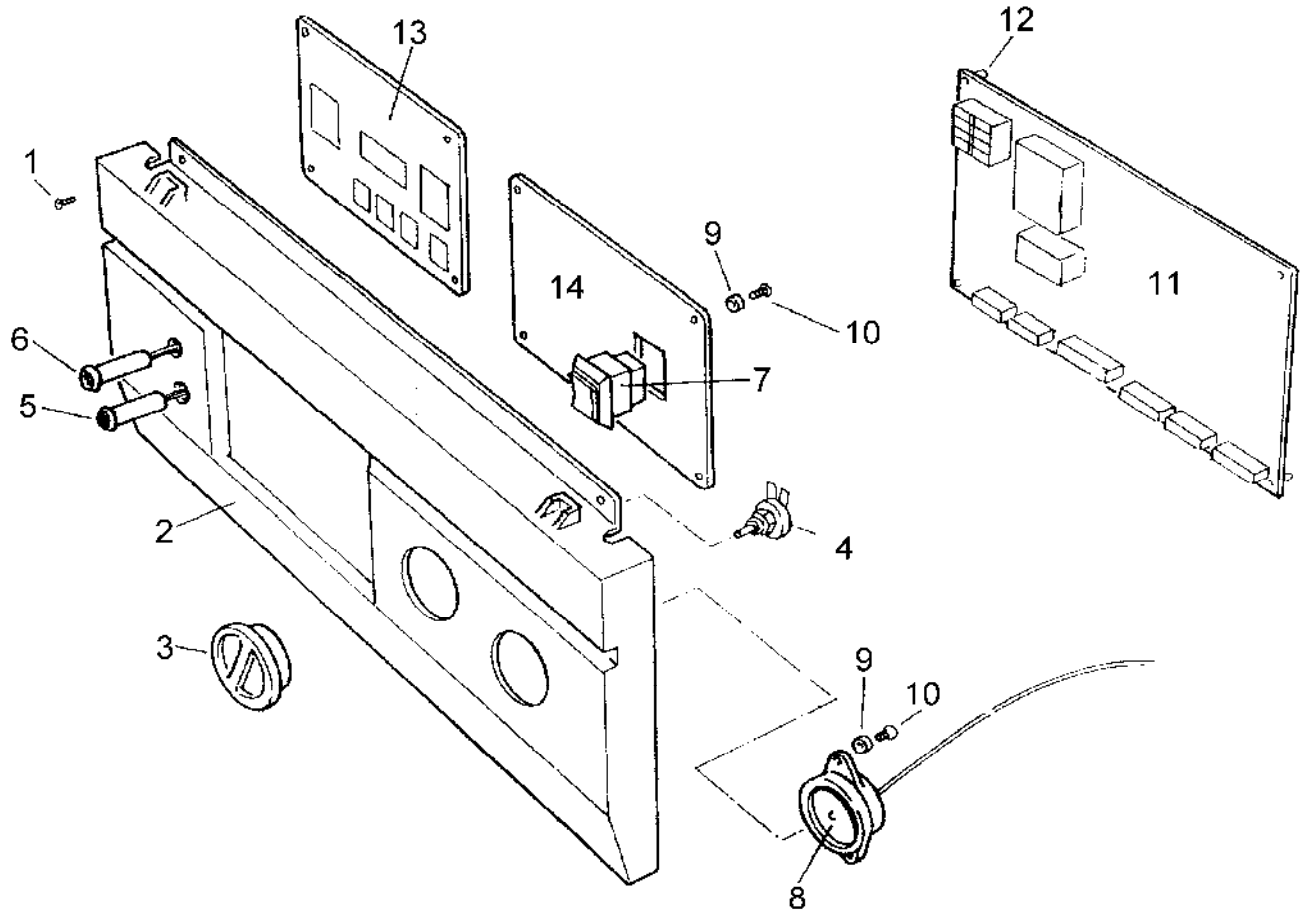
Pump / Hydraulic assy  
D

240-OSN 240-OSP

**3**

Pos	description	S-Nr	ordering no.	PG	gas type	240-OSN	240-OSP										remarks
23	Valve by-pass assembly		8 716 120 508 0		LPG	■											
23	Valve by-pass assembly		8 716 120 508 0		NG	■											
24	Valve 22mm bulkhead (balltype)		8 716 142 435 0		LPG	■											
24	Valve 22mm bulkhead (balltype)		8 716 142 435 0		NG	■											
25	Pipe - return assembly		8 716 120 574 0		LPG	■											
25	Pipe - return assembly		8 716 120 574 0		NG	■											
26	Pipe - w-w ht ex return 0454		8 716 100 392 0		LPG	■											
26	Pipe - w-w ht ex return 0454		8 716 100 392 0		NG	■											
27	Expansion Vessel Zilmnett 10L		8 716 111 386 0		LPG	■											
27	Expansion Vessel Zilmnett 10L		8 716 111 386 0		NG	■											
28	Pipe - expansion vess. assy 0461		8 716 120 422 0		LPG	■											
28	Pipe - expansion vess. assy 0461		8 716 120 422 0		NG	■											
29	Valve pr.rel.1/2 x15mmx1/8		8 716 142 416 0	37	LPG	■											
29	Valve pr.rel.1/2 x15mmx1/8		8 716 142 416 0	37	NG	■											
30	Pipe - pressure relief assy 0459		8 716 120 533 0		LPG	■											
30	Pipe - pressure relief assy 0459		8 716 120 533 0		NG	■											
31	T/stat elmwood		8 716 142 318 0		LPG	■											
31	T/stat elmwood		8 716 142 318 0		NG	■											
32	Pipe - domestic water outlet		8 716 120 423 0		LPG	■											Version code: All Others
32	Pipe - domestic water outlet		8 716 120 423 0		NG	■											Version code: All Others
32	Pipe - domestic outlet 0455		8 716 120 570 0		LPG	■											Version code: : AEA,AFR
32	Pipe - domestic outlet 0455		8 716 120 570 0		NG	■											Version code: AEA, AFR
33	Water to Water heat exchanger		8 716 120 560 0		LPG	■											
33	Water to Water heat exchanger		8 716 120 560 0		NG	■											
34	Pipe - dom water inlet assy 0456		8 716 120 571 0		LPG	■											
34	Pipe - dom water inlet assy 0456		8 716 120 571 0		NG	■											
35	Fibre washer 23.9 X 17.2 X 1.5 (10x)		8 710 103 043 0	12	LPG	■											
35	Fibre washer 23.9 X 17.2 X 1.5 (10x)		8 710 103 043 0	12	NG	■											
35	Washer 23.9 x 17.2 x 1.5 (X1)		8 716 115 674 0		LPG	■											
35	Washer 23.9 x 17.2 x 1.5 (X1)		8 716 115 674 0		NG	■											
36	O-Ring 2.62 x 11.91 id nitrile		8 716 140 802 0	15	LPG	■											
36	O-Ring 2.62 x 11.91 id nitrile		8 716 140 802 0	15	NG	■											
37	O-Ring 2.40 x 7.60 id nitrile		8 716 140 808 0	17	LPG	■											
37	O-Ring 2.40 x 7.60 id nitrile		8 716 140 808 0	17	NG	■											
38	O-Ring 17.6 ID X 2.4 EP		8 716 140 820 0	02	LPG	■											
38	O-Ring 17.6 ID X 2.4 EP		8 716 140 820 0	02	NG	■											
39	O-Ring 3.53 x 25.8 i/d h-nitrile		8 716 140 821 0		LPG	■											
39	O-Ring 3.53 x 25.8 i/d h-nitrile		8 716 140 821 0		NG	■											
40	Washer 24 x 12 x 1.50		8 716 140 919 0		LPG	■											
40	Washer 24 x 12 x 1.50		8 716 140 919 0		NG	■											
41	washer 30.5x22.2x1.5		8 716 140 920 0	13	LPG	■											
41	washer 30.5x22.2x1.5		8 716 140 920 0	13	NG	■											
42	Circlip anderton 1300-17		8 716 148 329 0		LPG	■											
42	Circlip anderton 1300-17		8 716 148 329 0		NG	■											
	Screw by-pass		8 716 140 254 0		LPG	■											
	Screw by-pass		8 716 140 254 0		NG	■											
	Gasket pack water c240rsf		8 716 140 771 0		LPG	■											
	Gasket pack water c240rsf		8 716 140 771 0		NG	■											
	Gas cock 1/2 bspt & g5/8 ma		8 716 142 424 0		LPG	■											
	Gas cock 1/2 bspt & g5/8 ma		8 716 142 424 0		NG	■											
	Valve 15mmx1/2f swivel		8 716 142 427 0		LPG	■											
	Valve 15mmx1/2f swivel		8 716 142 427 0		NG	■											
<b>240-OSN 240-OSP</b>			Pump / Hydraulic assy D													<b>3</b>	

# Spare parts list



6720900133.AA

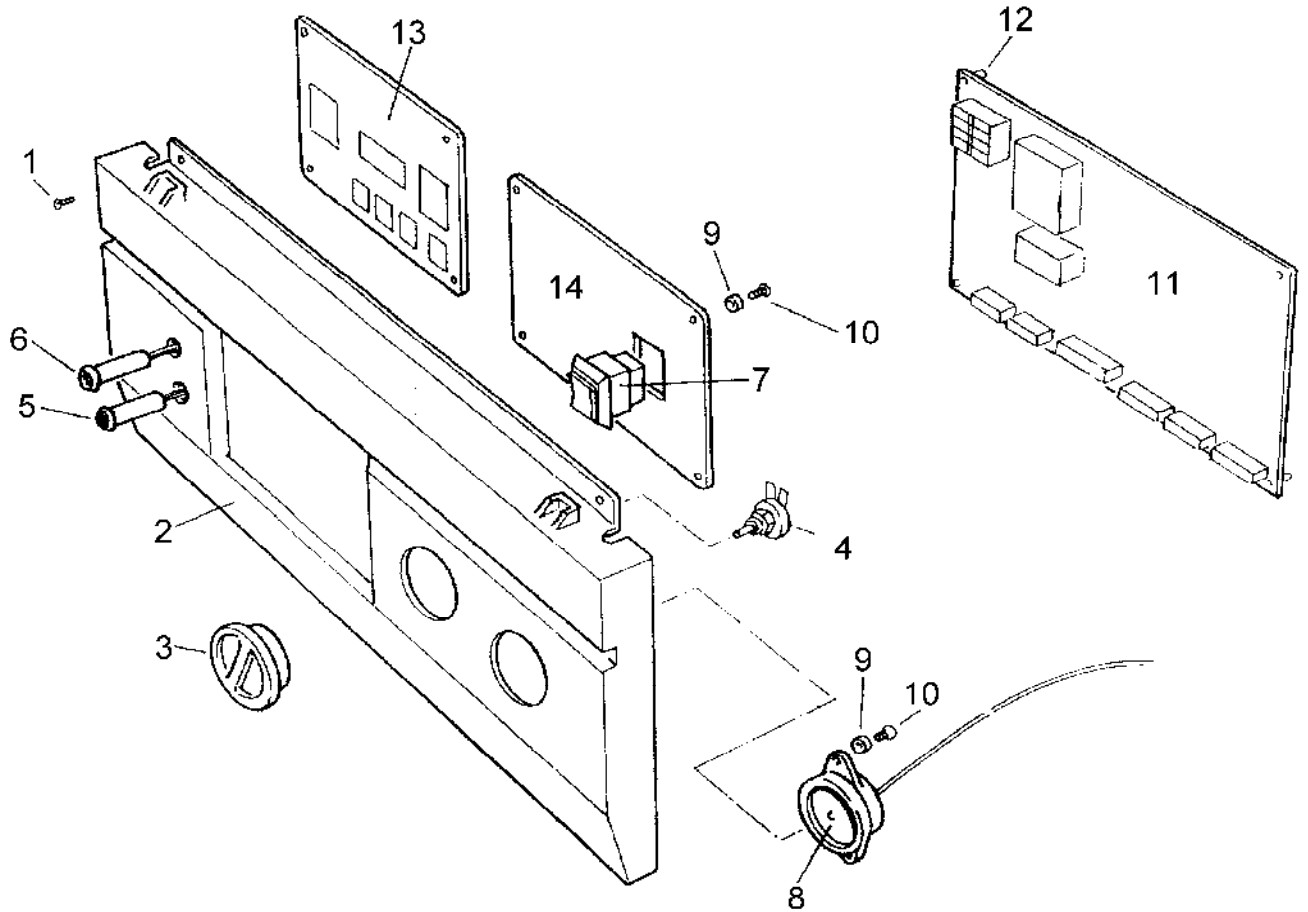
Electrical Box Assembly  
D

240-OSN 240-OSP

4

Pos	description	S-Nr	ordering no.	PG	gas type	240-OSN	240-OSP											remarks
1	Screw no.8x1/2 f/h type b self tap.		2 912 421 225 0	16	LPG	■												
1	Screw no.8x1/2 f/h type b self tap.		2 912 421 225 0	16	NG	■												
2	Facia assembly		8 716 120 575 0		LPG	■												
2	Facia assembly		8 716 120 575 0		NG	■												
3	Knob control		8 716 141 086 0		LPG	■												
3	Knob control		8 716 141 086 0		NG	■												
4	Harness potentiometer		8 716 120 909 0		LPG	■												
4	Harness potentiometer		8 716 120 909 0		NG	■												
5	Lamp green c/w connectors		8 716 120 862 0		LPG	■												
5	Lamp green c/w connectors		8 716 120 862 0		NG	■												
6	Lamp amber c/w connectors		8 716 120 861 0		LPG	■												
6	Lamp amber c/w connectors		8 716 120 861 0		NG	■												
7	Switch arrow200400e839 aa 3pos		8 716 146 106 0		LPG	■												
7	Switch arrow200400e839 aa 3pos		8 716 146 106 0		NG	■												
8	Pressure gauge & Washer		8 716 142 326 0		LPG	■												
8	Pressure gauge & Washer		8 716 142 326 0		NG	■												
9	Washer nylon 6mm x 10mm x 5mm		8 716 141 078 0		LPG	■												
9	Washer nylon 6mm x 10mm x 5mm		8 716 141 078 0		NG	■												
10	Screw iso no 6b x 9.5 recessed		2 912 421 210 0	07	LPG	■												
10	Screw iso no 6b x 9.5 recessed		2 912 421 210 0	07	NG	■												
11	Mother driver board w4115b1226		8 716 146 304 0		LPG	■												
11	Mother driver board w4115b1226		8 716 146 304 0		NG	■												
12	Pcb black nylon pillars		8 716 141 060 0		LPG	■												
12	Pcb black nylon pillars		8 716 141 060 0		NG	■												
13	Electronic timer-s230e7		7 716 192 008 0		LPG	■												
13	Electronic timer-s230e7		7 716 192 008 0		NG	■												
13	Mechanical timer-s230m1		7 716 192 009 0		LPG	■												
13	Mechanical timer-s230m1		7 716 192 009 0		NG	■												
14	Inset plate		8 716 141 100 0		LPG	■												
14	Inset plate		8 716 141 100 0		NG	■												
	Harness-grunfoss 910mm		8 716 120 838 0		LPG	■												
	Harness-grunfoss 910mm		8 716 120 838 0		NG	■												
	Harness sensor (c.h.)		8 716 120 849 0		LPG	■												
	Harness sensor (c.h.)		8 716 120 849 0		NG	■												
	Harness sensor (dhw)		8 716 120 850 0		LPG	■												
	Harness sensor (dhw)		8 716 120 850 0		NG	■												
	Harness mains lead		8 716 120 859 0		LPG	■												
	Harness mains lead		8 716 120 859 0		NG	■												
	Harness modureg		8 716 120 877 0		LPG	■												
	Harness modureg		8 716 120 877 0		NG	■												
	Harness-pump over-run		8 716 120 881 0		LPG	■												
	Harness-pump over-run		8 716 120 881 0		NG	■												
	Harness earth lead cHassis e+		8 716 120 883 0		LPG	■												
	Harness earth lead cHassis e+		8 716 120 883 0		NG	■												
	Harness earth lead pcb e+		8 716 120 884 0		LPG	■												
	Harness earth lead pcb e+		8 716 120 884 0		NG	■												
	Harness 3way switch		8 716 120 910 0		LPG	■												
	Harness 3way switch		8 716 120 910 0		NG	■												
	Potentiometer adjuster - nylon		8 716 141 068 0	15	LPG	■												
	Potentiometer adjuster - nylon		8 716 141 068 0	15	NG	■												
	Fuse 315ma anti-surge 20mm lg		8 716 156 010 0		LPG	■												
	Fuse 315ma anti-surge 20mm lg		8 716 156 010 0		NG	■												
<b>240-OSN 240-OSP</b>			Electrical Box Assembly D															<b>4</b>

# Spare parts list



6720900133.AA

Electrical Box Assembly  
D

240-OSN 240-OSP

4



**ADDITIONAL SPARE PARTS  
FOR APPLIANCE  
NOT DRAWN**

9099

6720900999.AA

Additional Spare Part  
D

**9**

**240-OSN 240-OSP**



**List of translations**

Pos				
1				
2				
3				
4				
5				
6				
<b>2</b>				
1				
2				
3				
4				
5				
6				
7				
8				
9				
10				
11				
12				
13				
14				
15				
16				
17				
18				
19				
20				
21				
22				
23				
24				
<b>3</b>				
1				
2				
3				
4				
5				
6				
7				
8				
9				
10				
11				
12				
13				
14				
15				
16				
17				
18				
19				
20				
21				
22				
Pos				
23				











