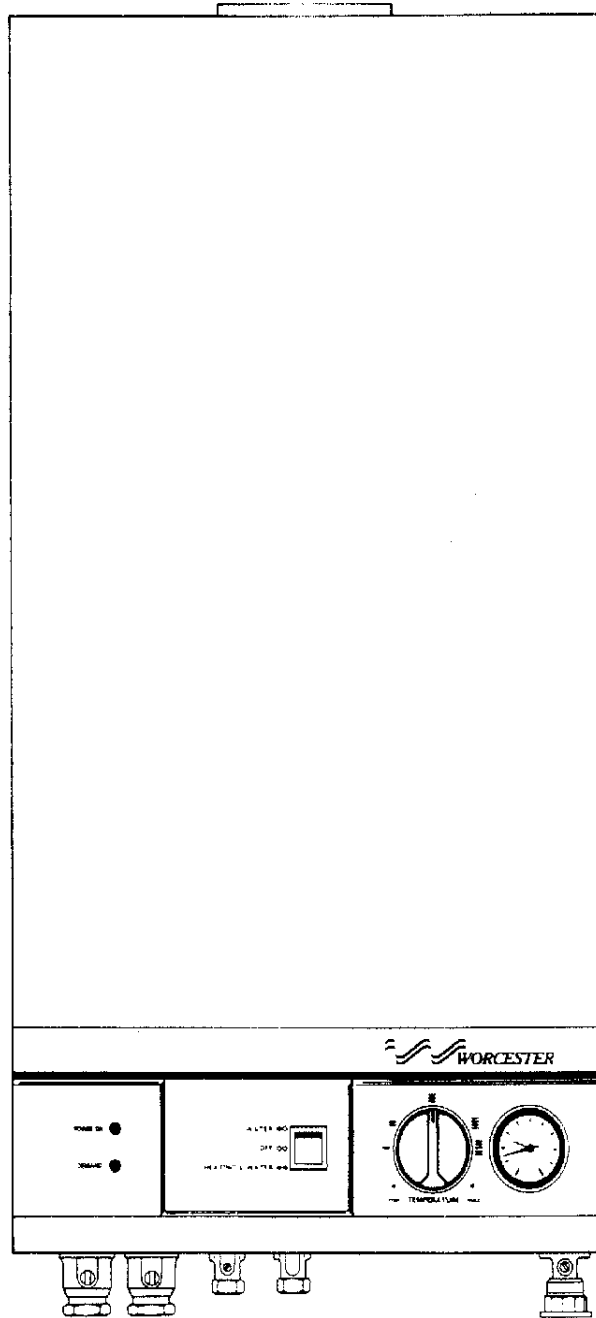


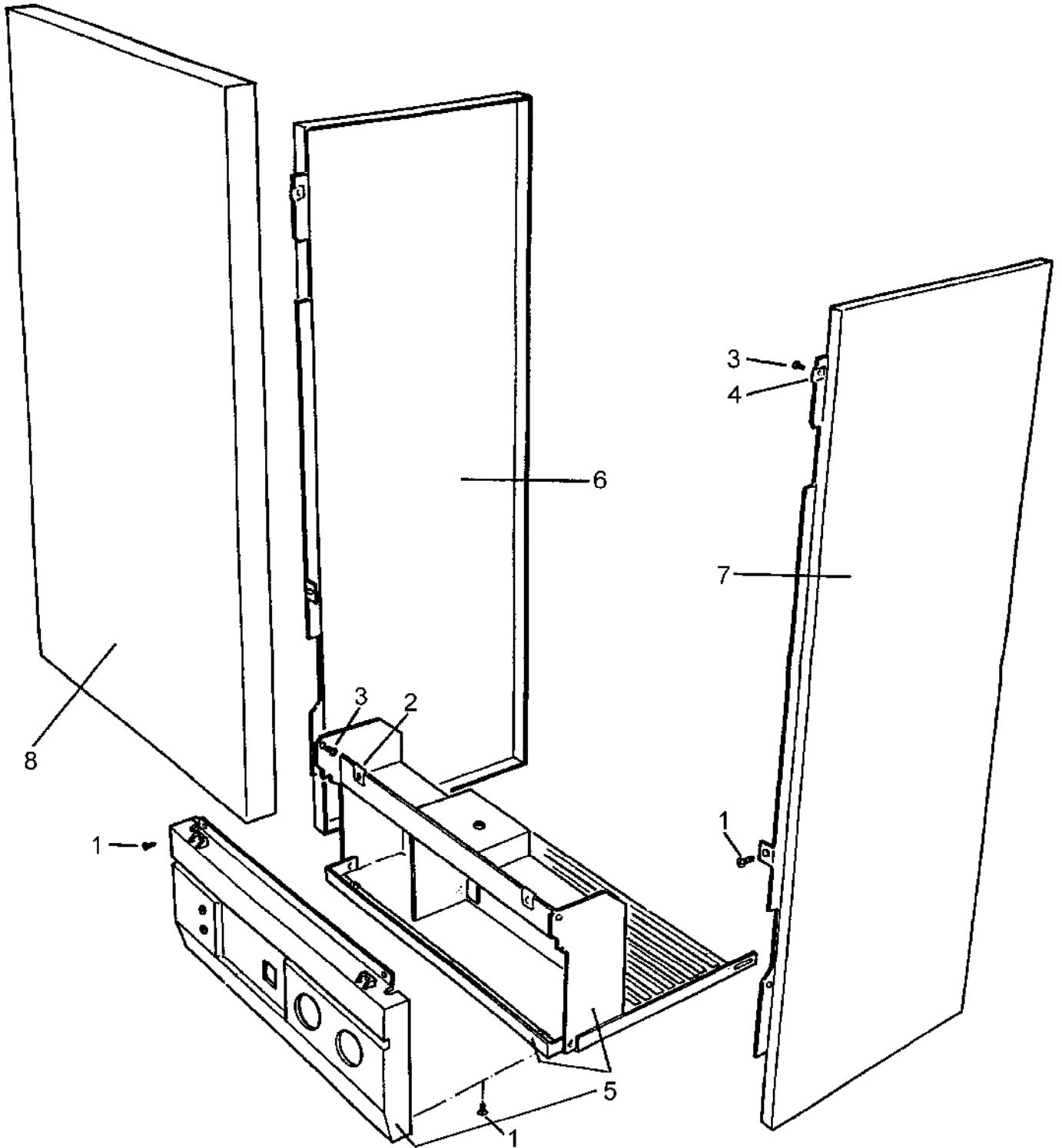
230 RSF

- 1 Casing
- 2 Superstructure
- 3 Pump & Hydraulic Assy
- 4 Electrical Box Assy
- 9 Additional Spare Parts



6720900138.AA

Spare parts list



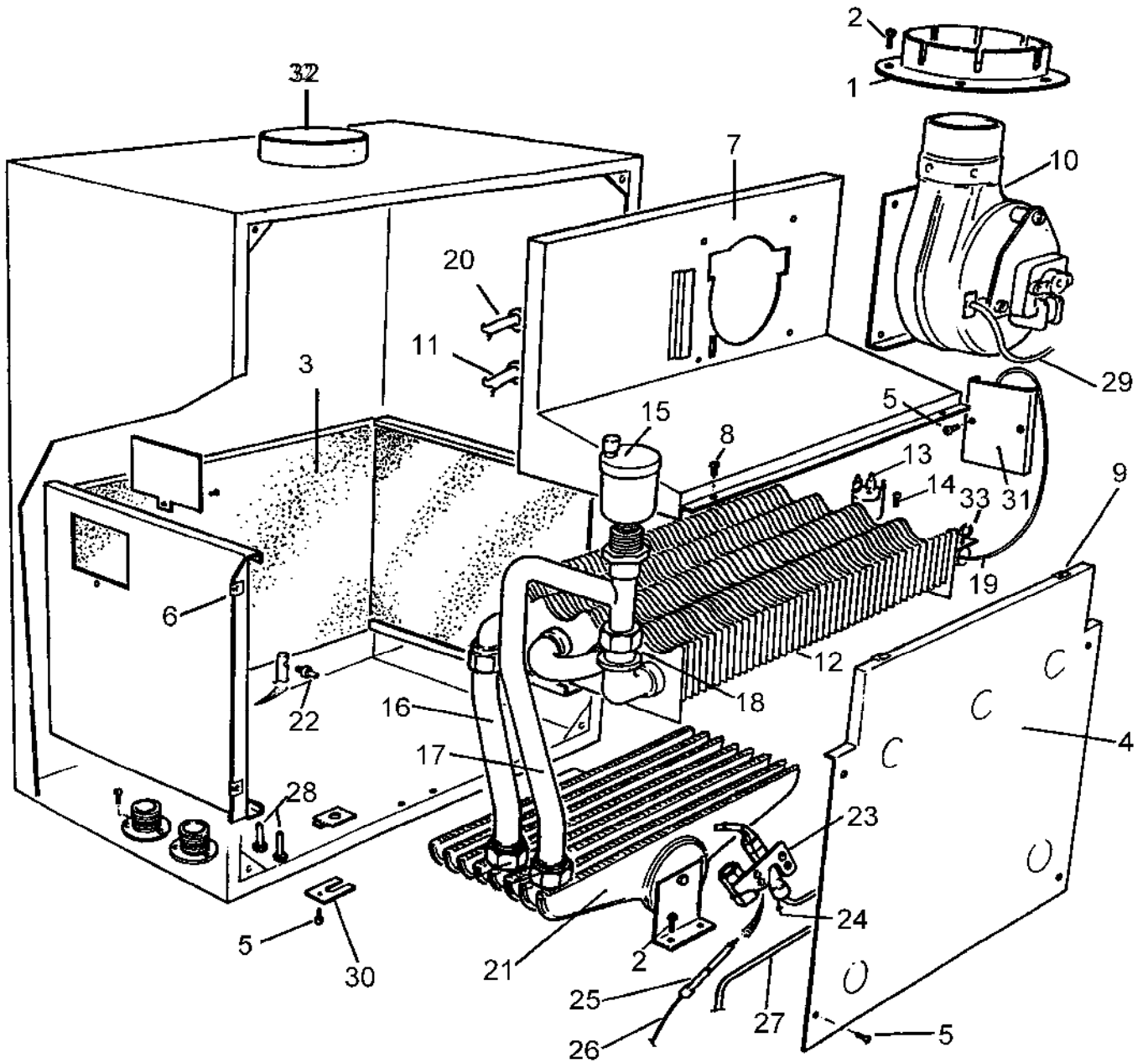
6720900126.AA

Casing
D

230-FSN

1

Spare parts list



2099

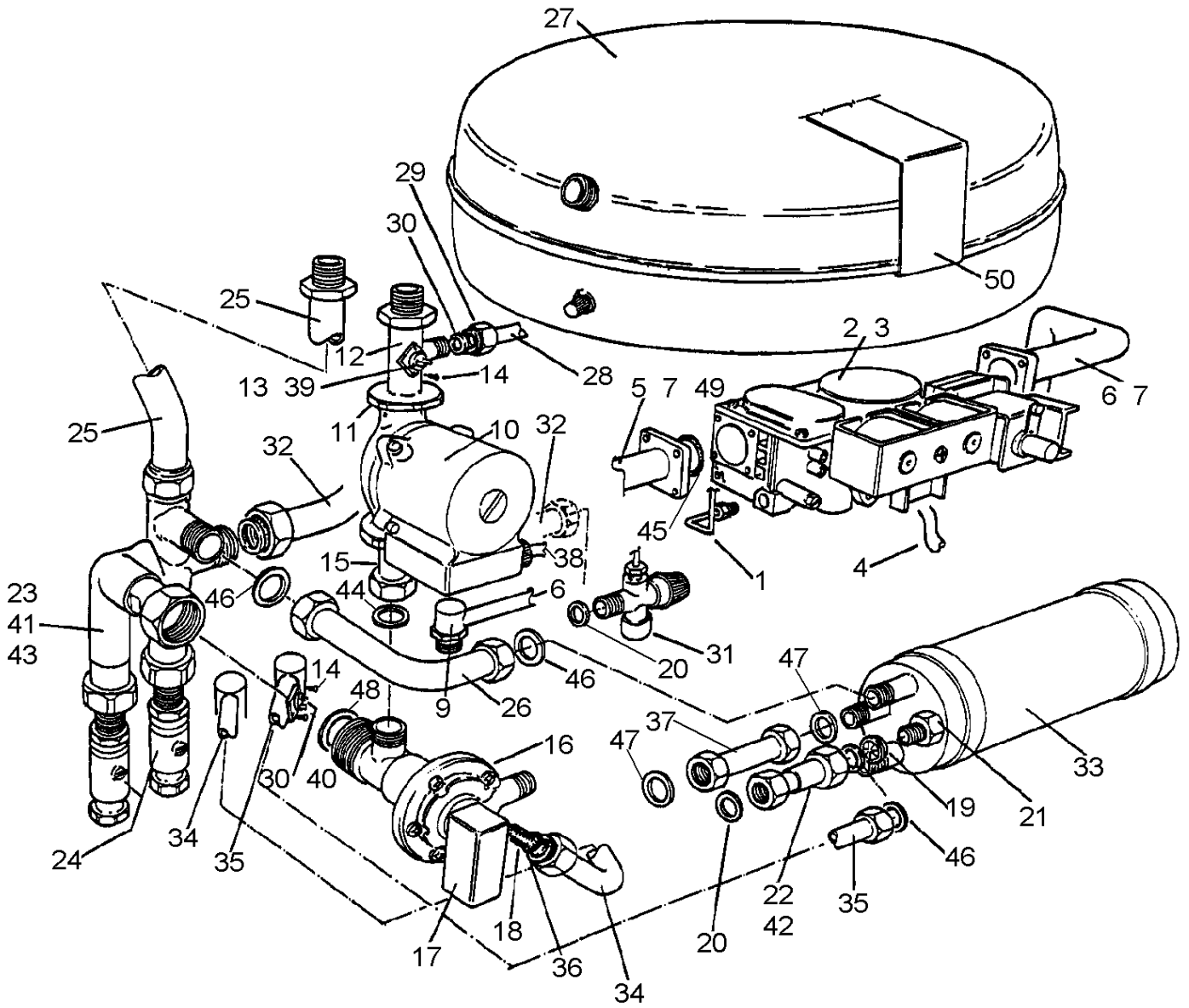
6720900127.AA

Superstructure
D

230-FSN

2

Spare parts list



6720900257.AA

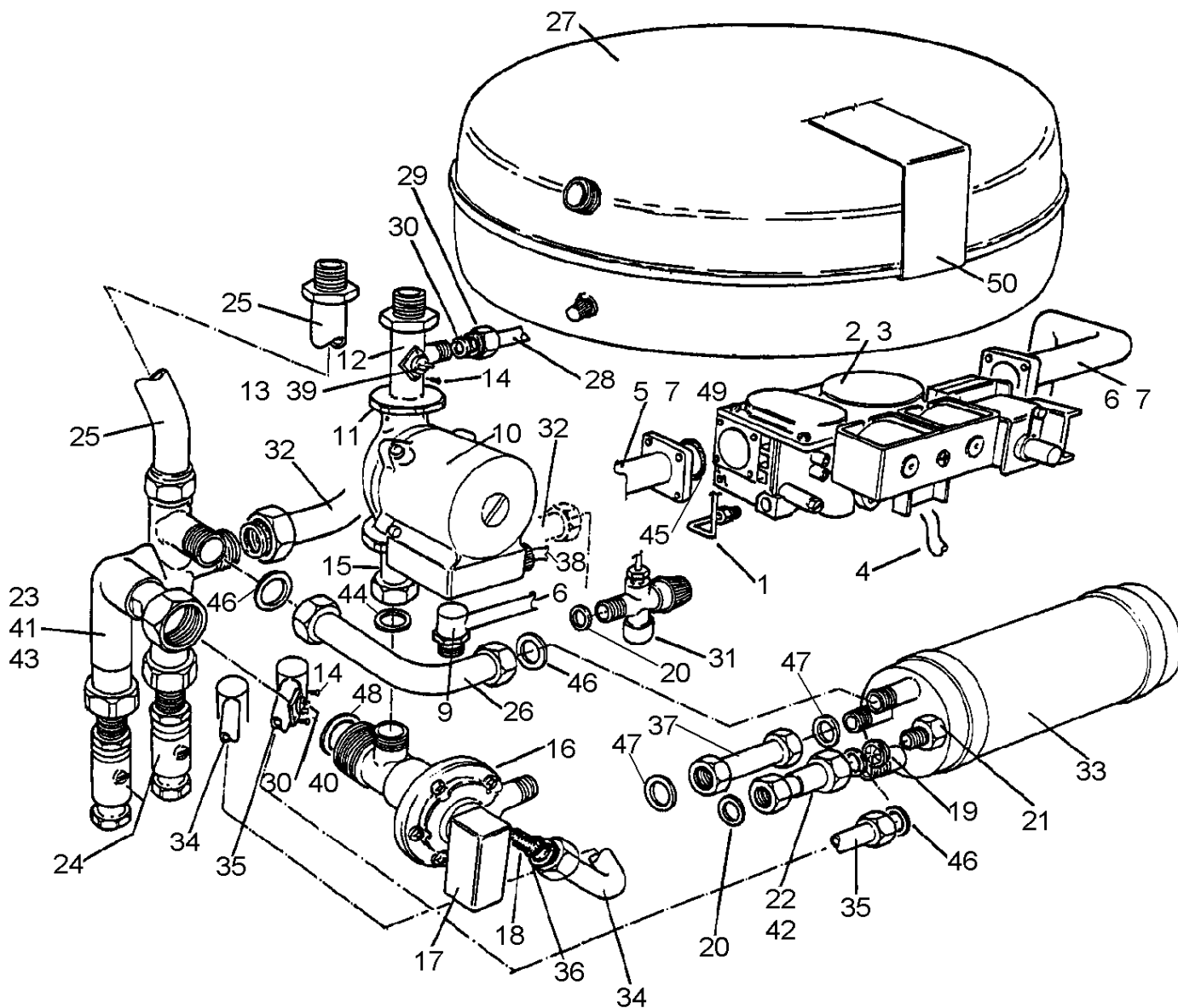
Hydraulic & Pump Assy
D

230-FSN

3

Pos	description	S-Nr	ordering no.	PG	gas type	230-FSN													remarks
1	Pilot feed tube assembly		8 716 120 791 0		NG	■													
2	Gas valve - ng		8 716 142 413 0		NG	■													
3	Gasket pack - Gas		7 716 192 241 0		NG	■													
4	Harness-gas valve		8 716 120 819 0		NG	■													
5	Manifold-burner		8 716 143 022 0		NG	■													
6	Pipe - gas inlet assembly		8 716 120 792 0		NG	■													
7	Screw m4x8mm hex hd Scr zinc plated		2 911 051 118 0		NG	■													
9	Gas cock 1/2 bspt & g5/8 ma		8 716 142 424 0		NG	■													
10	Standard 15/60 Pump Head		8 716 113 594 0		NG	■													
10	Pump UPS 15-60 12 OCL(50526639)		8 716 143 105 0	50	NG	■													
11	Cap nut - 1 1/2 bsp (pump nut)		8 716 140 515 0		NG	■													
12	Pipe - pump flow fitting		8 716 148 024 0		NG	■													
13	Thermistor - sensor		8 716 142 319 0		NG	■													
14	Screw m3x6mm zc pl p/h taptite		2 914 411 411 0	18	NG	■													
15	Coupling assly(pump to div'r)		8 716 120 482 0		NG	■													
16	Diverter valve ref:- d2040		8 716 142 419 0		NG	■													
17	Micro switch & harness		8 716 120 833 0	48	NG	■													
18	Water filter mpmv3326 st.st.		8 716 148 400 0	30	NG	■													
19	Flow regulator type E-W 8 litre white		8 716 141 054 0	21	NG	■													
20	Washer 18.6 X 13.5 X 1.5 (10x)		8 710 103 045 0	11	NG	■													
20	Washer 18.6 x 13.5 x 1.5 (1x)		8 716 115 680 0		NG	■													
21	Flow regulator housing		8 716 140 244 0		NG	■													
22	Coupling assembly		8 716 120 507 0		NG	■													
23	Valve by-pass assembly		8 716 120 508 0		NG	■													
24	Valve 22mm bulkhead (balltype)		8 716 142 435 0		NG	■													
25	Pipe - return assembly		8 716 120 574 0		NG	■													
26	Pipe - w-w ht ex return 0454		8 716 100 392 0		NG	■													
27	Vessel-expansion-8lt (324x130)		8 716 142 510 0		NG	■													
28	Pipe - expansion vessel assy		8 716 120 793 0		NG	■													
29	Nut 10mm compression		8 716 140 226 0	13	NG	■													
30	10mm compression ring		8 716 140 227 0	18	NG	■													
31	Valve pr.rel.1/2 x15mmx1/8		8 716 142 416 0	37	NG	■													
32	Pipe - pressure relief assy 0459		8 716 120 533 0		NG	■													
33	Water to Water heat exchanger		8 716 120 560 0		NG	■													
34	Pipe - dom water inlet assy 0456		8 716 120 571 0		NG	■													
35	Pipe - domestic outlet 0455		8 716 120 570 0		NG	■													
36	Harness modureg		8 716 120 877 0		NG	■													
37	Pipe - flow assy wPipe - w ht ex 0452		8 716 120 536 0		NG	■													
38	Harness-grunfoss 910mm		8 716 120 838 0		NG	■													
39	Harness sensor (c.h.)		8 716 120 849 0		NG	■													
40	Harness sensor (dhw)		8 716 120 850 0		NG	■													
41	Screw by-pass		8 716 140 254 0		NG	■													
42	O-Ring 2.62 x 11.91 id nitrile		8 716 140 802 0	15	NG	■													
43	O-Ring 2.40 x 7.60 id nitrile		8 716 140 808 0	17	NG	■													
44	O-Ring 17.6 ID X 2.4 EP		8 716 140 820 0	02	NG	■													
45	O-Ring 3.53 x 25.8 i/d h-nitrile		8 716 140 821 0		NG	■													
46	Washer 24 x 12 x 1.50		8 716 140 919 0		NG	■													
47	Fibre washer 23.9 X 17.2 X 1.5 (10x)		8 710 103 043 0	12	NG	■													
47	Washer 23.9 x 17.2 x 1.5 (X1)		8 716 115 674 0		NG	■													
48	washer 30.5x22.2x1.5		8 716 140 920 0	13	NG	■													
49	Screw m4 x 29 lg zp hex head		2 911 051 134 0		NG	■													
50	Exp vessel front bracket assy		8 716 120 784 0		NG	■													
230-FSN			Hydraulic & Pump Assy D																3

Spare parts list



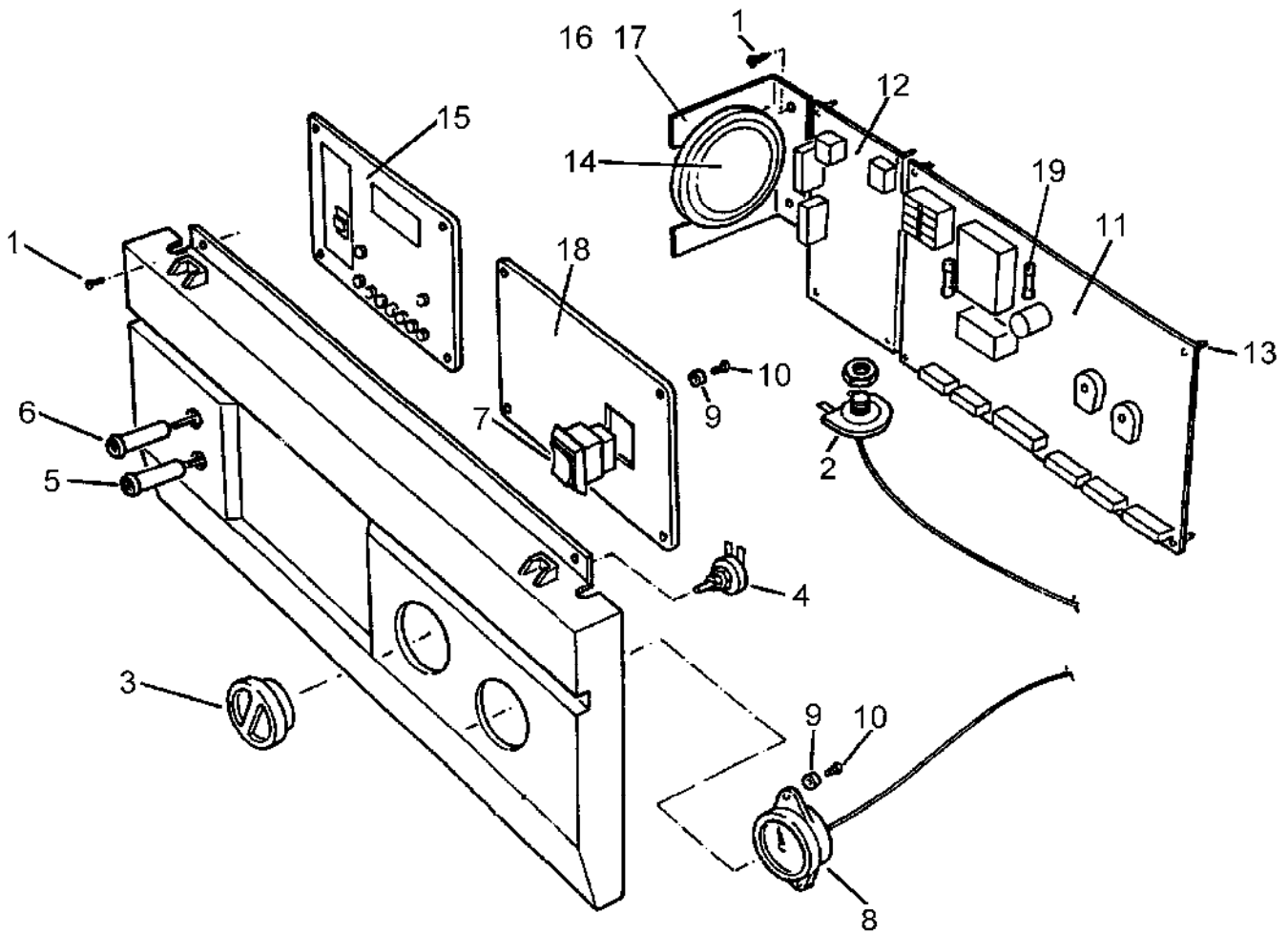
6720900257.AA

Hydraulic & Pump Assy
D

230-FSN

3

Spare parts list



6720900129.AA

Electrical Box Assembly
D

230-FSN

4

**ADDITIONAL SPARE PARTS
FOR APPLIANCE
NOT DRAWN**

9099

6720900999.AA

Additional Spare Part
D

9

230-FSN

List of translations

Pos			
1			
2			
3			
4			
5			
6			
7			
8			
2			
1			
2			
3			
4			
5			
6			
7			
8			
9			
10			
11			
12			
13			
14			
15			
16			
17			
18			
19			
20			
21			
22			
23			
24			
25			
26			
27			
28			
29			
30			
31			
32			
33			
3			
1			
2			
3			
4			
5			
6			
7			
9			
Pos			
10			
11			
12			
13			

List of translations

14				
15				
16				
17				
18				
19				
20				
21				
22				
23				
24				
25				
26				
27				
28				
29				
30				
31				
32				
33				
34				
35				
36				
37				
38				
39				
40				
41				
42				
43				
44				
45				
46				
47				
48				
49				
50				
4				
1				
2				
3				
4				
5				
6				
7				
8				
9				
10				
11				
12				
13				
Pos				
14				
15				
16				
17				
18				

