

Installation and Servicing Instructions

Eco² Plus

**Wall Mounted, Fan Assisted, Room Sealed,
Gas Fired, High Efficiency Condensing Combination Boiler**

For Technical help or for Service call ...
ALPHA HELPLINE Tel: 0844 871 8764
website: www.alpha-innovation.co.uk

Alpha
HEATING INNOVATION

Nepicar House, London Road,
Wrotham Heath, Sevenoaks,
Kent TN15 7RS



Set for use with Natural Gas

Leave these instructions with the User

*These instructions have been carefully prepared but we reserve the right to alter the specification at any time in the interest of product improvement.
© Alpha Therm Limited 2015.*

Part No. 1.038095 rev. ST.001592/000
0415/D345

BENCHMARK SCHEME

To comply with Building Regulations Part L1 (Part 6 in Scotland) the boiler should be installed in accordance with the manufacturer's instructions. Self-certification that the boiler has been installed to comply with Building Regulations can be demonstrated by completing and signing the Benchmark Checklist at the back of these instructions

Code of Practice

For the installation, commissioning and servicing of domestic heating and hot water products.

Benchmark places responsibilities on both manufacturers and installers*. The purpose is to ensure that customers** are provided with the correct equipment for their needs, that it is installed, commissioned and serviced in accordance with the manufacturer's instructions by competent persons and that it meets the requirements of the appropriate Building Regulations. Installers are required to carry out work in accordance with the following:

Standards of Work

- Be competent and qualified to undertake the work required.
- Install, commission, service and use products in accordance with the manufacturer's instructions provided.
- Ensure that where there is responsibility for design work, the installation is correctly sized and fit for purpose.
- Meet the requirements of the appropriate Building Regulations. Where this involves notifiable work be a member of a Competent Persons Scheme or confirm that the customer has notified Local Authority Control (LABC), prior to work commencing.
- Complete all relevant sections of the Benchmark Checklist/Service Record when carrying out commissioning or servicing of a product or system.
- Ensure that the product or system is left in a safe condition and, where possible, in good working order.
- Highlight to the customer any remedial or improvement work identified during the course of commissioning or servicing work.
- Refer to the manufacturer's helpline where assistance is needed.
- Report product faults and concerns to the manufacturer in a timely manner.

Customer Service

- Show the customer any identity card that is relevant to the work being carried out prior to commencement or on request.
- Give a full and clear explanation/demonstration of the product or system and its operation to the customer.
- Hand over the manufacturer's instructions, including the Benchmark Checklist, to the customer on completion of an installation.
- Obtain the customer's signature on the Benchmark Checklist to confirm satisfactory demonstration and receipt of manufacturer's instructions.
- Advise the customer that regular product servicing is needed, in line with manufacturers' recommendations, to ensure that safety and efficiency is maintained.
- Respond promptly to calls from a customer following completion of their work, providing advice and assistance by phone and, if necessary, visiting the customer.
- Rectify any installation problems at no cost to the customer during the installer's guarantee period.

* The use of the word "installer" is not limited to installation itself and covers those carrying out installation, commissioning and/or servicing of heating and hot water products, or the use of supporting products (such as water treatment or test equipment).

** Customer includes householders, landlords and tenants.

Benchmark Commissioning and Servicing Section

It is a requirement that the boiler is installed and commissioned to the manufacturers instructions and the data fields on the commissioning checklist completed in full.

To instigate the boiler guarantee the boiler needs to be registered with the manufacturer within one month of the installation.

To maintain the boiler guarantee it is essential that the boiler is serviced annually by a Gas Safe registered engineer who has been trained on the boiler installed. The service details should be recorded on the Benchmark Service Interval Record and left with the householder.

www.centralheating.co.uk



Useful contact details: Gas Safe Register - 0800 408 5577 - www.gassaferegister.co.uk

Alpha Heating Innovation: General Sales Enquiries - 0844 871 8760
Technical Helpline - 0844 871 8764

CONTENTS

| | | | | | |
|---|----------------------------------|----|----|------------------------------------|----|
| 1 | Introduction..... | 3 | 8 | Wiring diagram | 45 |
| 2 | Technical data | 4 | 9 | Error codes and fault finding..... | 46 |
| 3 | General boiler information | 9 | 10 | Short parts list | 49 |
| 4 | Installation | 16 | 11 | Energy classification..... | 50 |
| 5 | Commissioning..... | 25 | | Benchmark Checklist..... | 56 |
| 6 | Routine servicing..... | 34 | | Service Record..... | 57 |
| 7 | Component replacement | 40 | | | |

1 INTRODUCTION

The Eco² Plus are wall mounted, room sealed, fan assisted, high efficiency, condensing boilers. The burner is lit electronically and the heat output is controlled by a modulating fan and gas valve.

The Eco² Plus are combination boilers providing both central heating and domestic hot water at mains pressure.

The boiler is supplied with a pump, pressure relief valve, expansion vessel and pressure gauge fully assembled and tested. It is designed for use with a fully pumped, sealed and pressurised central heating system.

IMPORTANT

Failure to install and commission this appliance in compliance with the manufacturer's instructions may invalidate the warranty. It is the law that all gas appliances are installed by a competent person, ie Gas Safe registered personnel, in accordance with the following recommendations:-

Current Gas Safety (Installation and Use) Regulations

All current Building Regulations issued by the Department of the Environment, i.e. Approved Document L26.

Building Standards (Scotland) (Consolidation) Regulations issued by the Scottish Development Department

UK Water Regulations/Byelaws (Scotland)

Health & Safety Document No. 635 (The Electricity At Work Regulations 1989)

The installation should also be in accordance with the following British Standard Codes of Practice:-

BS 5440-1: 2008.....Flueing and Ventilation Requirements

BS 5440-2: 2009.....Installation and Maintenance of Flues and Ventilation

BS 5546: 2010.....Specification for Water Heating Appliances

BS 6798: 2009.....Specification for Installation gas fired boilers up to 70 kW

BS 6891: 2005 + A2: 2008.....Installation of low pressure Gas Pipework

IGEM/UP/2

IGEM/UP/4

IGE/UP/10

IGEM/UP/16

IGE/UP/1 and 1A.....Strength Testing and tightness testing Natural Gas Installations

Reference should also be made to any other standards and requirements relating to the installation depending on the location and use.

Reference should be made to DEFRA document 'Guide to condensing boiler installation assessment procedures for dwellings'.

If installation is in a timber framed building, refer to the Institute of Gas Engineers document IGE/UP/7.

This appliance meets the requirements of IPX5D, ie degree of protection against moisture.

This appliance contains no asbestos and no substances have been used in the construction process that contravene the COSHH Regulations (Control of Substances Hazardous to Health).

Failure to install this appliance correctly could lead to prosecution. It is in your own interest and that of safety to ensure that the law is complied with.

Manufacturer's instructions must **NOT** be taken in anyway as over-riding statutory obligations.

- Notes:**
1. Ensure that the Benchmark Checklist has been completed after the boiler has been installed and commissioned.
 2. It is the law that all domestic boiler installations are registered by the installer through the Gas Safe Notification Scheme.
 3. The boiler must only be used with Alpha CD condensing flue components.

Propane Gas (LPG) - In addition to the regulations and requirements stated, the boiler **must be** installed in accordance with BS 5482:1 - The Installation of Propane Burning Appliances in Permanent Dwellings.

2 TECHNICAL DATA

2.1 TECHNICAL PERFORMANCE DATA - NATURAL GAS (Cat I2H 2H - G20 20 mbar)

| | | Eco ² Plus |
|---|-------------------|-----------------------|
| Heat input gross - DHW | kW | 31.9 |
| Heat input gross - CH | kW | 27.3 |
| Heat input net - DHW | kW | 28.7 |
| Heat input net - CH | kW | 24.6 |
| Heat output condensing (50/30°C) - CH | kW | 25.5 |
| Heat output non condensing (80/60°C) CH | kW | 24 |
| Heat output min. - CH | kW | 3.5 |
| Heat output nominal - DHW | kW | 28 |
| Gas rate at max. output | m ³ /h | 3.04 |
| Gas supply pressure | mbar | 20 |
| Max. CH temperature - Set point | °C | 85 |
| Gas burner injector diameter | mm | 6.15 |
| DHW flow rate at 35°C rise | l/min | 11.7 |
| DHW flow rate at 30°C rise - EN13203-1 | l/min | 13.7 |
| DHW flow regulator | l/min | 13 |
| Dry NOx weight | mg/kWh | 18 |
| Dry NOx | ppm | 11 |
| NOx | Class | 5 |
| Factory set CO ₂ (± 0.8%) | | |
| CO ₂ at maximum CH output | % | 9.0 |
| CO ₂ at maximum DHW output | % | 9.1 |
| CO ₂ at minimum output | % | 9.0 |
| CO ₂ at medium output (ignition) | % | 9.0 |
| CO weight (nominal) | mg/kWh | 21 |
| CO (max) | ppm | 200 |
| Maximum CO/CO ₂ | Ratio | 0.003 |
| SAP/SEDBUK seasonality efficiency 2005 | % | 90 |
| SAP/SEDBUK seasonality efficiency 2009 | % | 88.8 |
| ErP DHW efficiency | % | 86 (XL) |
| Max. primary system pressure | bar | 2.5 |
| Min. primary system pressure | bar | 0.5 |
| Recommended system pressure - Cold | bar | 1.0 |
| System pressure relief valve setting | bar | 3.0 |
| Expansion vessel size | litres | 8.0 |
| Expansion vessel charge pressure | bar | 1.0 |
| Electrical power consumption - Max. | Watts | 95 |
| Electrical power consumption - Standby | Watts | 4.5 |

2.1 TECHNICAL PERFORMANCE DATA - LPG - PROPANE GAS (Cat I3P 3P - G31 37 mbar)

| | | Eco ² Plus |
|---|-------------------|-----------------------|
| Heat input gross - DHW | kW | 31.2 |
| Heat input gross - CH | kW | 26.7 |
| Gas rate | m ³ /h | 1.19 |
| Gas supply pressure | mbar | 37 |
| CO ₂ at maximum CH output | % (±1%) | 10.7 |
| CO ₂ at maximum DHW output | % (±1%) | 10.2 |
| CO ₂ at minimum output | % (±1%) | 10 |
| CO ₂ at medium output (ignition) | % (±1%) | 10.7 |

Note: Other Technical data is the same as NG data.

4 Alpha Eco² Plus - Technical Data

2.2 PHYSICAL DATA

| | | | |
|--|-----------------------|----|--------|
| Boiler flow and return connections | | mm | 22 |
| DHW inlet (cold) DHW outlet (hot) connections | | mm | 15 |
| Gas connection diameter | | mm | 22 |
| Boiler dimensions | Height | mm | 712 |
| | Width | mm | 440 |
| | Depth | mm | 276 |
| Clearances for servicing | Bottom | mm | 150 |
| | Bottom (with jig) | mm | 250 |
| | Top (horizontal flue) | mm | 235 |
| | Top (vertical flue) | mm | 150 |
| | Sides | mm | 5 |
| | Front | mm | 450 |
| Recommended hole size for flue pipe | | mm | 110 |
| Recommended hole size for instalation from inside the building | | mm | 130 |
| Boiler dry lift weight | | kg | 35.8 |
| Boiler operating weight (full of water) approx. | | kg | 39 |
| Max. total flue length | Horizontal | m | 12 |
| Max. total flue length | Vertical | m | 14 |
| Flue system diameter | | mm | 60/100 |

2.3 FLUE LENGTHS

A 500 mm or 1000 mm Easy-Flue terminal kit with 90° bend or horizontal terminal is available.

CD 750 mm and 1000 mm flue extensions are available.

Length of Flue Required:-

Rear Flue = wall thickness + 180 mm (includes terminal).

Side Flue = wall thickness + distance between wall and side of boiler + 265 mm (includes terminal)

Vertical Flue = distance from top of boiler side panel to required roof position minus 1000 mm for vertical terminal assembly

Maximum horizontal flue length = 12 m.

Maximum vertical flue length including terminal is 14 m.

Each additional CD 90° Bend is equivalent to 1.3 m of flue length.

Each CD 45° Bend is equivalent to 0.9 m of flue length.

The CD Vertical Flue terminal assembly is equivalent to 1 m of flue length.

Note: For flue lengths over 4.5 m the 'F0' parameter should be changed - See Section 5.4.

2.4 PUMP

The boiler is equipped with a variable speed low power consumption pump.

During the DHW mode, the pump always runs at the maximum speed.

During the CH mode, two different functioning modes of the pump are available, AUTO and FIXED.

AUTO - The pump speed is controlled automatically in order to give a proportional pump head, the pump speed varies based on the heat output supplied by the burner - the greater the heat output the higher the pump speed.

It is possible to adjust the pump speed range in the boiler parameter menu. Parameter A3 adjusts the maximum speed between values 5 to 9 and parameter A4 the minimum between 5 and the maximum setting (A3).

FIXED - If the parameters 'A3' and 'A4' are set to the same value, the pump runs at the constant speed level set.

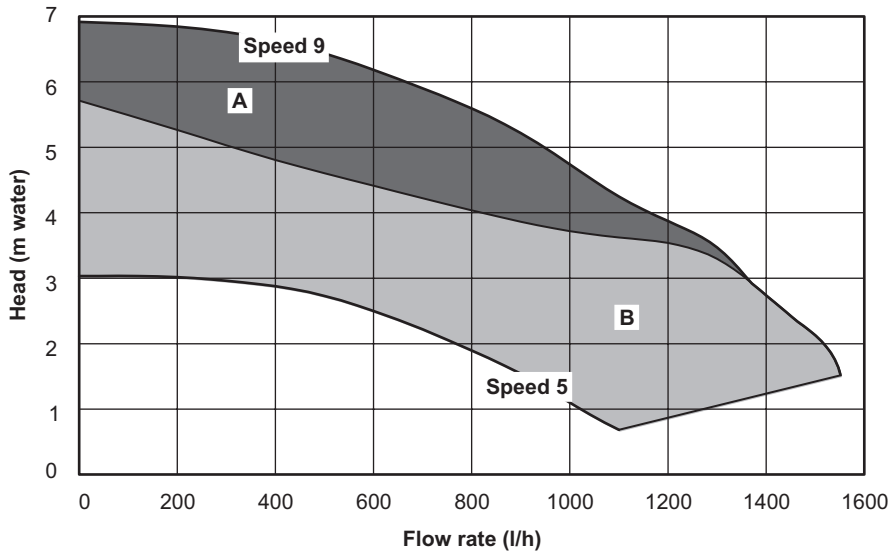
Note: For correct operation of the boiler, **do not** set values lower than the minimum value indicated above (i.e. lower than 5).

Pump release - After a prolonged period of inactivity, the pump might stick, and it may be necessary to turn the motor shaft using a screwdriver. Take great care during this operation to avoid damage to the motor.

By-pass Regulation (part. 24 Fig. 1-30) - The boiler leaves the factory with the by-pass open.

If necessary, the by-pass can be adjusted to the system requirements from minimum (by-pass closed) to maximum (by-pass open). Adjust using a flat head screwdriver, turn clockwise to open the by-pass, and anticlockwise to close.

2.4.1 Available Pump Head

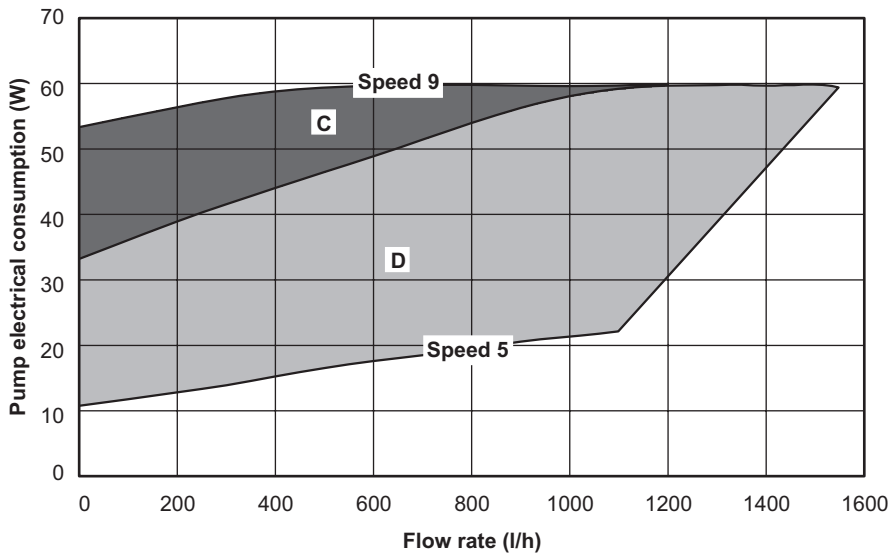


A + B = Head available to the system with by-pass closed.

B = Head available to the system by-pass opened.

Fig. 2.1

2.4.2 Pump Power Consumption



C + D = Pump power consumption with by-pass opened.

D = Pump power consumption with by-pass closed.

Fig. 2.2

2.5 ELECTRICAL CONNECTIONS

Note: This Appliance Must Be Earthed

Optional integral single channel controls are available if required.

Note: Only use the Alpha single channel controls. **Do not fit any two channel controls.**

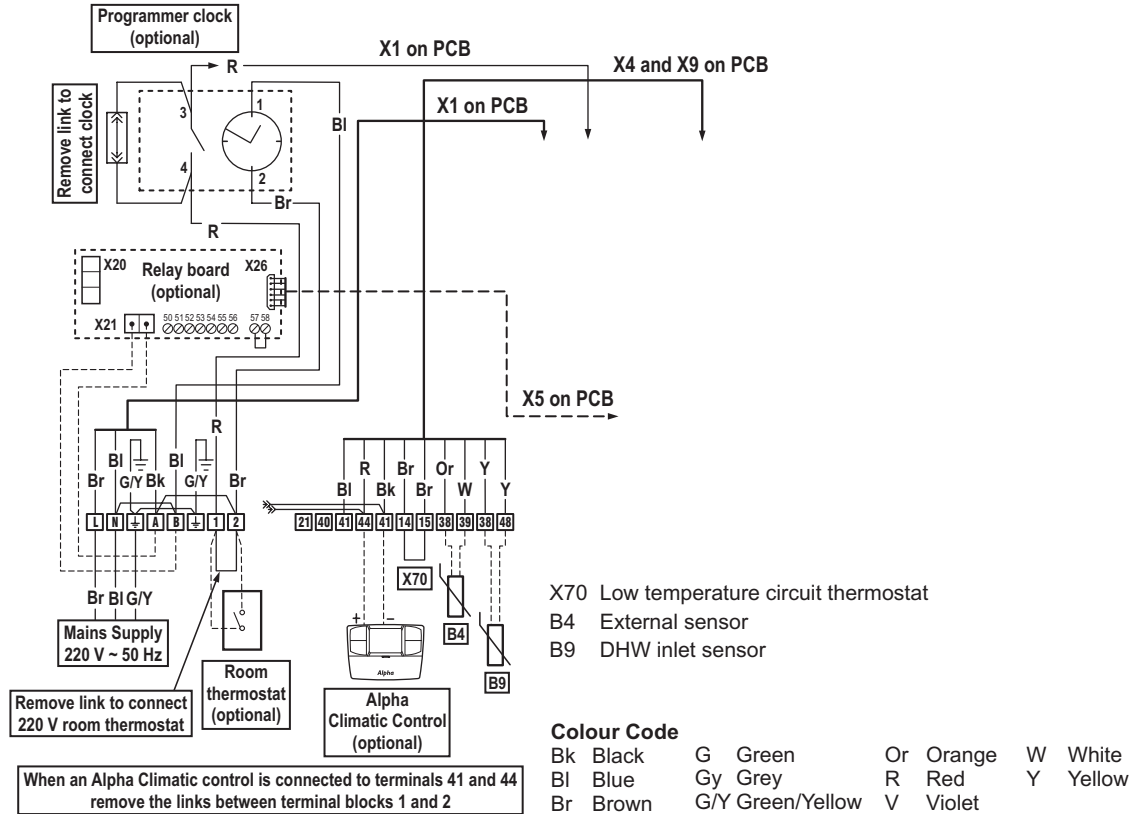


Fig. 2.3

2.6 DATA BADGE ANNOTATION

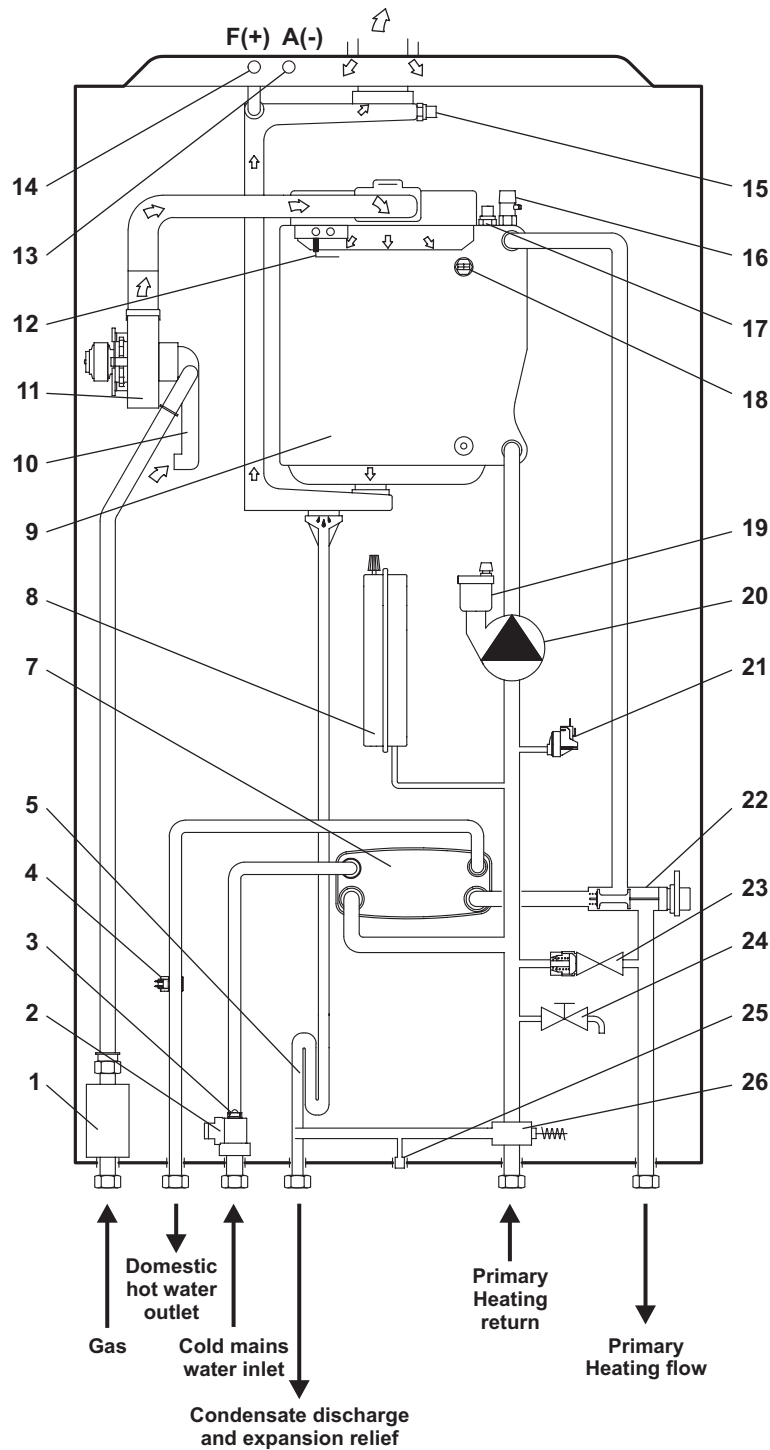
NOTE: Technical data is provided on the boiler data / wiring label and in Section 2.1.

| | | | |
|--------------------------------------|--------------------------------------|---------------------|---------------------|
| Md | | Cod. Md | |
| Sr N° | | Cod. PIN | |
| Type | | | |
| Q _{nw} /Q _n min. | Q _{nw} /Q _n max. | P _n min. | P _n max. |
| PMS | PMW | D | TM |
| NO _x Class | | | |
| | | | CONDENSING |

Md.....Model
 Cod. MdModel code
 Sr N°Serial number
 CHK.....Check
 Cod. PINPIN code
 Type.....Type of installation (ref. CEN TR 1749)
 Q_{nw} min.DHW minimum heat input
 Q_n min.CH minimum heat input
 Q_{nw} max.DHW maximum heat input
 Q_n max.CH maximum heat input

P_n min.Minimum heat output
 P_n max.....Maximum heat output
 PMS.....Maximum system pressure
 PMW.....Maximum DHW pressure
 D.....Specific flow rate
 TMMaximum operating temperature
 NO_x Class.....NO_x Class
 CONDENSINGCondensing boiler

2.7 BOILER SCHEMATIC



- | | | |
|--------------------------------|---|------------------------------|
| 1 - Gas valve | 10 - Air/gas mixer | 19 - Automatic air vent |
| 2 - DHW flow switch and filter | 11 - Fan | 20 - Pump |
| 3 - Flow regulator | 12 - Ignition/detection electrode | 21 - Primary pressure switch |
| 4 - DHW sensor | 13 - Air test point (pressure point -) | 22 - Diverter valve |
| 5 - Condensate trap | 14 - Flue test point (pressure point +) | 23 - Automatic bypass |
| 6 - N/A | 15 - Flue temperature sensor | 24 - Drain point |
| 7 - DHW heat exchanger | 16 - Manual air vent | 25 - Safety valve indicator |
| 8 - Expansion vessel | 17 - Primary temperature sensor | 26 - Safety valve |
| 9 - Primary heat exchanger | 18 - Overheat thermostat | |

Fig. 2.4

3 GENERAL BOILER INFORMATION

3.1 GAS SUPPLY

The meter and supply pipes must be capable of delivering the required quantity of gas in addition to the demand from any other appliances in the house.

Refer to Technical performance data in Section 2.1 and 2.2.

The complete installation, including the meter, must be tested for gas tightness and purged as described in BS 6891.

3.2 ELECTRICAL SUPPLY

The boiler requires a 230/240 V ~ 50 Hz mains supply, fused at 3 A

The boiler must be earthed.

There must only be one common isolator, providing complete electrical isolation, for the boiler and any external controls.

This boiler has been fitted with a supply cable, however, if it is necessary to fit a cable use PVC insulated cable not less than 0.75 mm² (24 x 0.2 mm) to BS 6500 Table 16. The boiler should be connected to a fused three pin plug and unswitched shuttered socket outlet (both complying with BS 1363), or a fused double pole switch with a contact separation of at least 3 mm in both poles.

Wiring external to the boiler must be in accordance with the current IEE Wiring Regulations (BS 7671).

Note: If a room thermostat is fitted, it must be suitable for 230/240 V switching.

3.3 AIR SUPPLY

The boiler does not require any air vents for cooling in the room in which it is installed or when installed in a cupboard or compartment. The minimum clearances for servicing must always be maintained.

Note: A cupboard or compartment used to enclose the boiler must be designed and constructed specifically for the purpose, i.e. comply with the Building Regulations.

3.4 FLUE SYSTEM - Fig. 3

The flue system must be installed in accordance with BS 5440:1.

When using the horizontal flue kit supplied ensure that the flue outer duct is installed horizontally (please note that the flue inner duct already has a pre-determined slope towards the boiler for condensate to run back towards the boiler).

When additional flue extensions are used, ensure the flue slopes downwards towards the boiler by a minimum of 25 - 30 mm per metre of flue.

Horizontal and vertical flue assemblies should be supported approximately every 1.5 m with access provided to the joints.

Flue components are available as follows:-

CD 750 mm flue extension - Part No. 6.2000750.

CD 1000 mm flue extension - Part No. 6.2001050.

CD 100 mm flue support brackets (pack of 5) - Part No. 6.1000355.

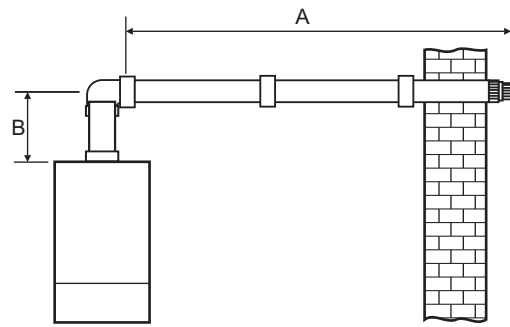
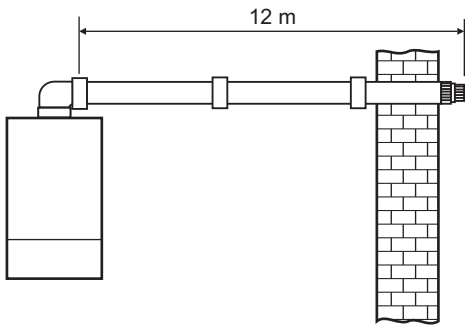
CD 90° bend - Part No. 6.2000590.

CD 45° bend - Part No. 6.2000545.

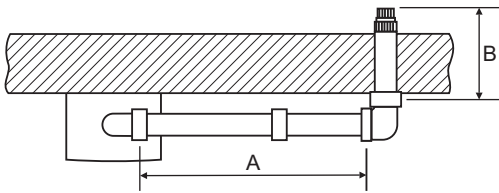
CD Vertical flue terminal kit - Part No. 6.2000520. Refer to the separate installation instructions supplied with the kit.

- Note:**
1. If an extra 90° bend is used, this reduces the maximum flue length by 1.3 m. Each 45° bend used reduces the maximum flue length by 0.9 m.
 2. For flue lengths over 4.5 m the 'F0' parameter should be changed - See Section 5.4.
 3. Under no circumstances must the flue length (including allowances for extra bends) exceed 12 metres horizontally and only 14 metres vertically.
 4. Failure to use Alpha flue components with the boiler will invalidate the boilers CE approval, guarantee and may be unsafe.

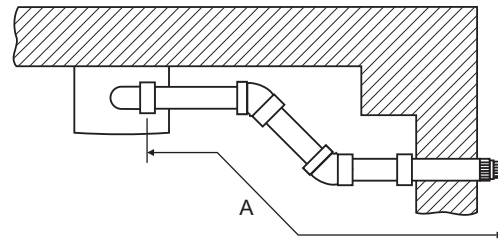
HORIZONTAL FLUE OPTIONS - Lmax - 12 metres



$L = A + B = 12\text{m max.}$



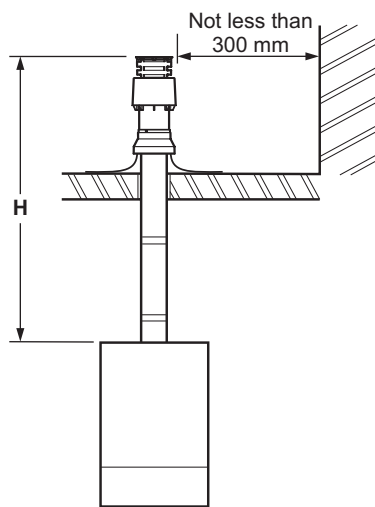
$L = A + B + (90^\circ \text{ bend} = 1.3 \text{ metre})$



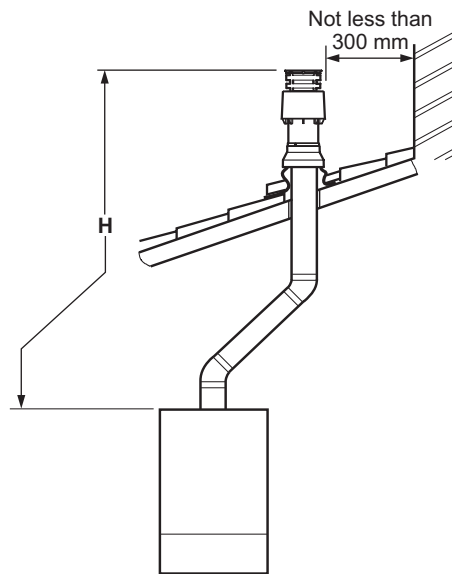
$L = A + (2 \times 45^\circ \text{ bends} = 1.8 \text{ metre})$

Fig. 3.1

VERTICAL FLUE OPTIONS



$H_{\text{max}} = 14 \text{ m}$



$H_{\text{max}} = 12.2 \text{ m (14 m - 1.8 m)}$

Fig. 3.2

3.5 FLUE TERMINAL LOCATION - Figs. 3.3 and 3.4

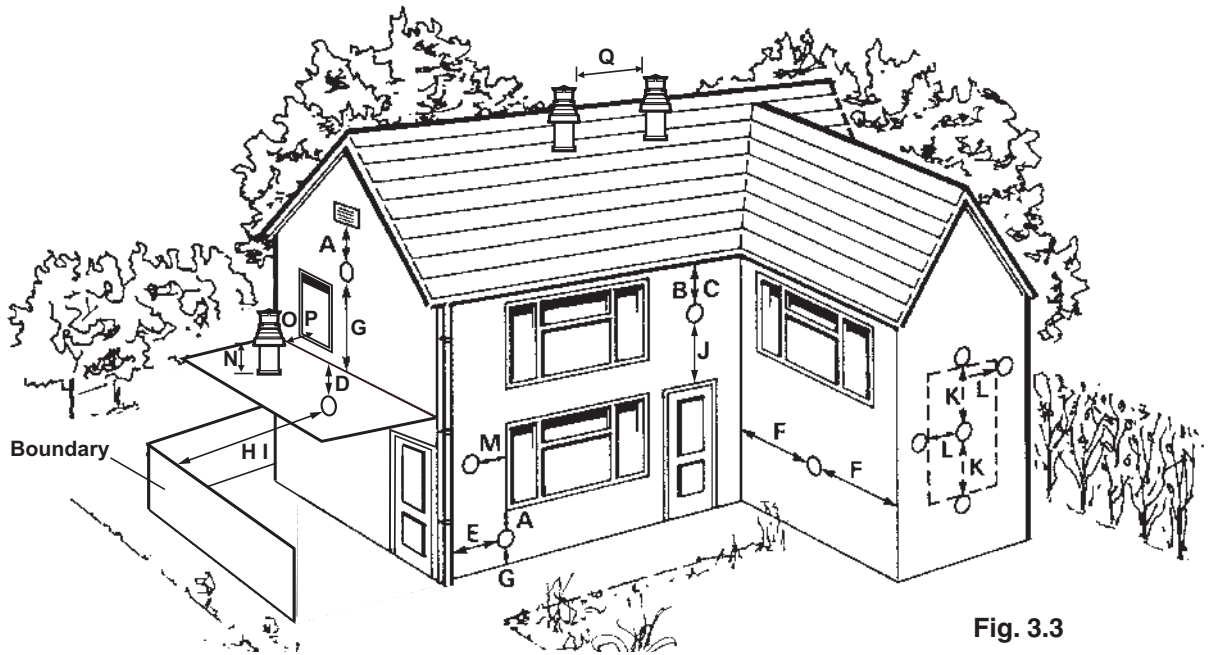


Fig. 3.3

| Terminal position | Min. distance (mm) |
|--|---------------------|
| A Directly below an opening, air brick, windows, etc. | 300 (See Note 1) |
| B Below gutters, soil pipes or drain pipes | 75 (See Note 3) |
| C Below eaves | 200 (See Note 3) |
| D Below balconies | 200 (See Note 3) |
| E From a vertical drain pipe or soil pipe | 150 (See Note 3) |
| F From an internal or external corner | 300 (See Note 2) |
| G Above ground, roof or balcony level | 300 |
| H From a surface or boundary facing the terminal | 600 (See Note 4) |
| I From a terminal facing the terminal | 1200 mm |
| J Above an opening, air brick, window etc. | 300 (See Note 1) |
| K Vertically from a terminal on the same wall | 1500 mm |
| L Horizontally from a terminal on the same wall | 300 mm |
| M Horizontally from an opening, air brick, window etc. | 300 mm (See Note 1) |
| N Minimum protrusion through a roof | 300 mm |
| O From a vertical obstruction | 300 mm |
| P From an openable window | 600 mm |
| Q From an adjacent vertical terminal | 600 mm |

Notes:

- In addition, the terminal should not be nearer than 150 mm to the framework of an opening into the building, i.e. a window surround or door surround.
- This clearance may be reduced to 25 mm without effecting the performance of the boiler. However, to ensure the condensate plume does not affect adjacent surfaces a clearance of 300 mm is preferable.
- These clearances may be reduced to 25 mm without effecting the performance of the boiler. However, to ensure the condensate plume does not affect adjacent surfaces the terminal can be extended beyond gutters, pipes, eaves, balconies etc. by upto 500 mm. If the flue is extended more than 500 mm outside, it should be boxed and insulated.
- To reduce the possibility of nuisance to neighbouring buildings etc. it is recommended the terminal should not be less than 2500 mm from car parking spaces, building boundary walls, fences etc.
- A terminal must not be sited under a car port roof.
- In certain weather conditions the terminal will emit a plume of steam. If possible avoid positioning the terminal where this may cause a nuisance, i.e. positions A, D, G, H, J or M.
- The flue terminal must be exposed to the external air and the position must allow the free passage of air across it at all times.
- A terminal must not be sited below 2 m where people have access to, such as public footpaths, access routes, patios etc. However, If the terminal is fitted less than 2 m above a surface where there is no public access, the terminal must be protected by a terminal guard. A suitable guard is available from Alpha Therm Ltd.

Proximity of flue duct outlets to boundaries

The flue duct shall be sited so that it is at least 600 mm (see Fig. 3.4) from the boundary line when facing it and at least 300 mm from the boundary line when running parallel to it.

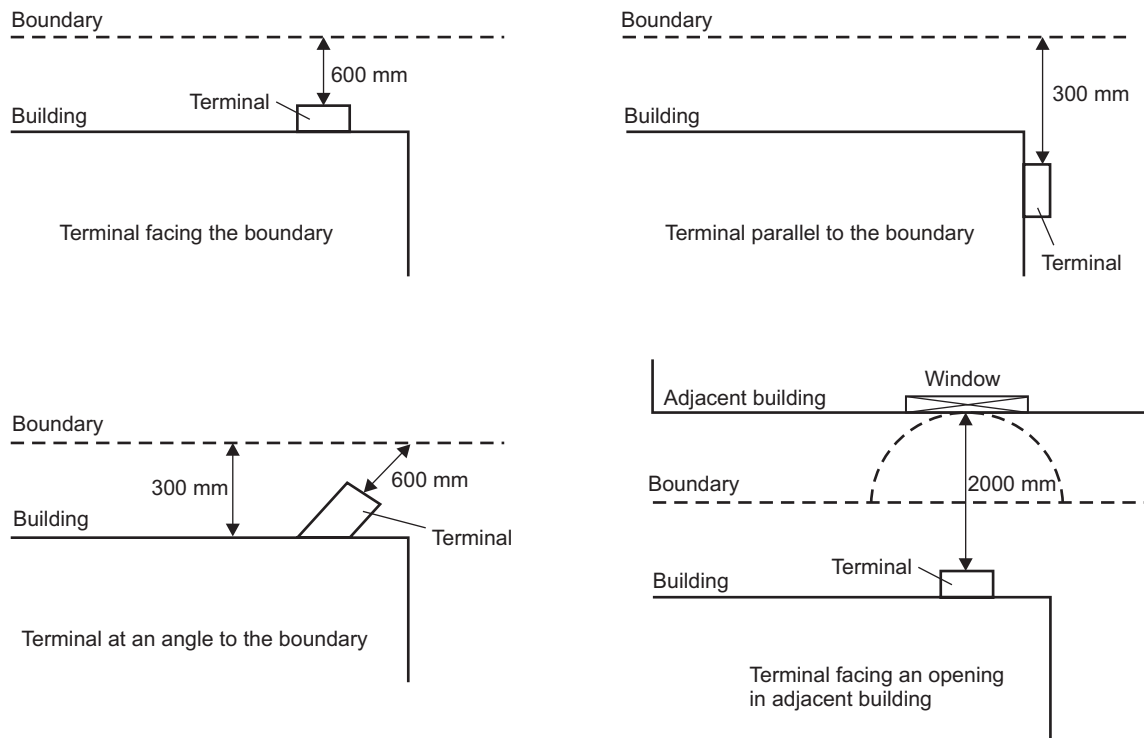


Fig. 3.4

3.6 BOILER LOCATION

The boiler is not suitable for external installation unless it is installed within a purpose designed weatherproof building.

The boiler must be installed on a flat vertical wall which is capable of supporting the weight of the boiler. The boiler can be fitted to or adjacent to a wall comprising of a combustible material without the need for a special thermal insulation barrier.

If the boiler is to be fitted in a timber framed building, it should be fitted in accordance with the Institute of Gas Engineers 'Guide for Gas Installations in Timber Frame Housing', reference IGE/UP/7.

The boiler may be installed in any room or internal space, although particular attention is drawn to the requirements of the current IEE Wiring (BS 7671) Regulations, and in Scotland, the electrical provisions of the Building Regulations applicable in Scotland, with respect to the installation of the boiler in a room or internal space containing a bath or shower. Where a room-sealed boiler is installed in a room containing a bath or shower, it must not be possible for a person using the bath or shower to touch any electrical switch or boiler control utilising mains electricity.

The boiler may be installed in a cupboard or compartment, provided it is correctly designed for that purpose, i.e. complies with the Building Regulations and the requirements of BS 6798.

3.7 CENTRAL HEATING SYSTEM - Fig. 3.5

The boiler is designed for use in a sealed central heating system in accordance with the requirements of BS EN 12828 and BS 6798. The system should be designed to operate with flow temperatures of up to 90°C. When designing the system, the pump head, expansion vessel size, mean radiator temperature, etc. must all be taken into account. Refer to the pump performance table for guidelines.

System volume - The expansion vessel incorporated into the boiler is suitable for a sealed heating system with a maximum water content of 80 litres (18 gal). Above 80 litres, consideration should be given to fitting an additional expansion vessel fitted in the position shown in Fig. 32.5. To check correct operation of the expansion vessel(s) the system pressure should not be more than 2.5 bar when the system is at maximum operating temperature (for further guidance refer to BS 7074:1).

The boiler is supplied with the following components built in:-

Pressure gauge - To indicate the system pressure to be maintained.

Expansion vessel - Conforming to BS 4814 with a capacity of 8 litres and pre-charged to a pressure of 1.0 bar.

By-pass - The boiler incorporates an automatic by-pass, therefore an automatic by-pass is not required for the system.

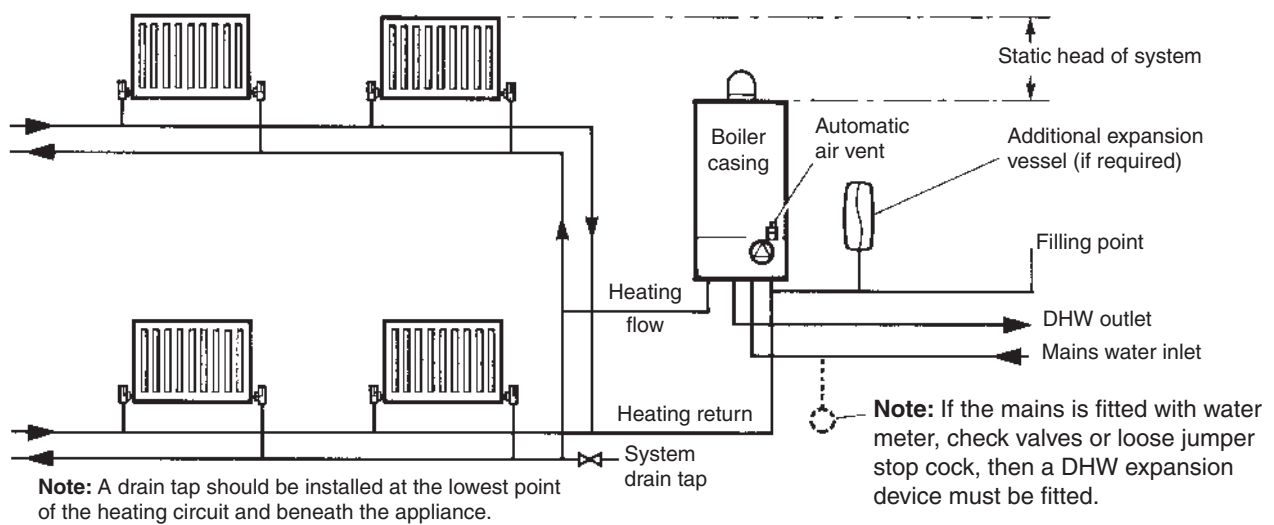


Fig. 3.5

3.8 FILLING THE CENTRAL HEATING SYSTEM - Fig. 3.6

The system design pressure (cold) should be set to 1.0 bar. This pressure is equivalent to a static head (see Fig. 3.5) of 10.2 metres of water.

Provision must be made for filling the system. This is done by the use of a filling loop. See Fig. 3.6. A filling loop is not supplied with this boiler.

Filling of the system must be carried out in a manner approved by the local Water Undertaking. Where allowed, the system may be filled via a temporary connection as shown in Fig. 3.6. After filling, always disconnect the flexible hose of the filling loop.

All fittings used in the system must be able to withstand pressures up to 3 bar.

Drain taps (to BS 2879) must be used to allow the system to be completely drained.

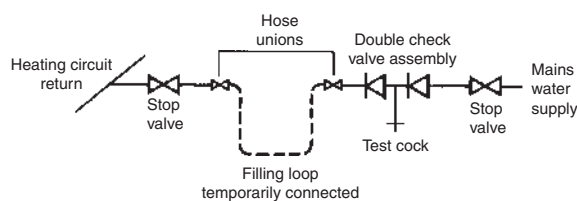


Fig. 3.6

3.9 FLUSHING THE HEATING SYSTEM

It is essential that the central heating system is thoroughly cleaned and flushed when fitting an Alpha boiler. Failure to do so will invalidate the warranty.

The primary condensing heat exchanger is constructed in aluminium and therefore is compatible with most materials used in a heating system.

Cleaning agents and inhibitors must be applied in accordance with their manufacturers instructions. Suitably approved products for cleaning and treatment must be used.

The system should be flushed in accordance with BS 7593 and BS EN 14336. The following procedures are recommended:

1. Installing onto a new system:-
 - a. Fill the system, vent at high points, at pump, primary heat exchanger and radiators.
 - b. Check for leaks.
 - c. Drain the system.
 - d. Chemically clean the system as instructed by the recommended cleaner manufacturer.
Note: Ensure that the system is flushed to remove any remains of the cleaner.
 - e. If chemical cleaner is not used to clean the system:-
 - i) Refill the system.
 - ii) Switch on the boiler and allow the system to heat up to the normal operating temperature.
 - iii) Switch off the boiler and drain the system while the water is still hot.
 - iv) Refill the system and check for leaks.
 - f. Add the inhibitor to the system as instructed by the inhibitor manufacturer instructions.
2. Installing onto an existing system, clean the system before fitting the new boiler:-
 - a. If the old boiler is still working:-
 - i) Switch on the boiler and allow the system to heat up to the normal operating temperature.
 - ii) Switch off the boiler and drain the system while the water is still hot.
 - iii) Refill and chemically clean the system as instructed by the cleaner manufacturer instructions.
 - iv) Ensure the system is flushed to remove any remains of the cleaner.
 - v) Fit the new boiler.
 - b. If the old boiler is not working:-
 - i) Drain the system.
 - ii) Remove the old boiler.
 - iii) Flush the system through.
 - iv) Fit the new boiler.
 - v) Refill and chemically clean the system as instructed by the cleaner manufacturer instructions.
 - vi) Ensure the system is flushed to remove any remains of the cleaner and check for leaks.
 - c. Add the inhibitor to the system as instructed by the inhibitor manufacturer instructions.

The system inhibitor level must be maintained at the correct concentration. The PH of the system water must be between 6.5 and 8.5 or the appliance guarantee will be invalidated.

The system must not be filled with softened water.

3.10 DISPOSAL OF CONDENSATE

Provision must be made for the safe disposal of condensate produced by the flue gases of the Alpha boilers and reference should be made to BS 6798 for the requirements on the disposal of condensate.

The boilers incorporate a condensate trap which has a seal of greater than 75 mm, therefore no additional trap is required.

The condensate should ideally be discharged internally into an internal waste pipe (washing machine/sink waste) or soil pipe to avoid the possible risk of freezing. The pipework must be in 22 mm pipe (minimum).

External pipe runs should be avoided, but if it is necessary, the pipework should be protected from the risk of freezing with waterproof insulation and the length should be kept to a maximum of 3 m and the condensate pipework should be increased to a minimum of 32 mm diameter. Termination should be into an external gulley or soakaway as shown in Figs. 3.7 and 3.8.

Note: All pipework must have a continuous fall (see Figs. 3.7 and 3.8) from the boiler and must be of an acid resistant material such as plastic waste pipe. (copper or steel is not suitable).

The condensate pipe is combined with the expansion relief discharge. The flexible condensate hose supplied meets the requirements for use with both condensate and expansion relief. This should be connected to a suitable waste pipe and fittings with approval for hot and cold water, i.e. BS EN1451-1PP Waste piping, BS EN1455-1 ABS piping or BS EN 1566-1 MUPVC piping.

The condensate and discharge should be connected to a drain for sewage and foul waste or a dedicated soak away with neutraliser added.

It should be noted that the connection of a condensate pipe to a drain may be subject to local building control requirements.

Optional Condensate Trace Heating Kit

An optional Alpha trace heating kit is also available to prevent the condensate from freezing.

The control of this kit works with a unique patented design using the boiler PCB to control the trace heating. The outside weather probe measures the external temperature, activating the trace heating cable only when the boiler is in operation and producing condensate. This feature together with the latest technology variable resistance heating cable ensures only a small amount of electrical energy is used.

If the external temperature drops below 2°C and the boiler is on, the relay PCB is operated and voltage is supplied to the trace heating wire causing it to heat up and prevent the condensate from freezing. When the outside temperature rises to 4°C or the boiler pump stops, the trace heater is switched off. The connection of the outside weather probe supplied with this kit also enables the weather compensation feature on the boiler.

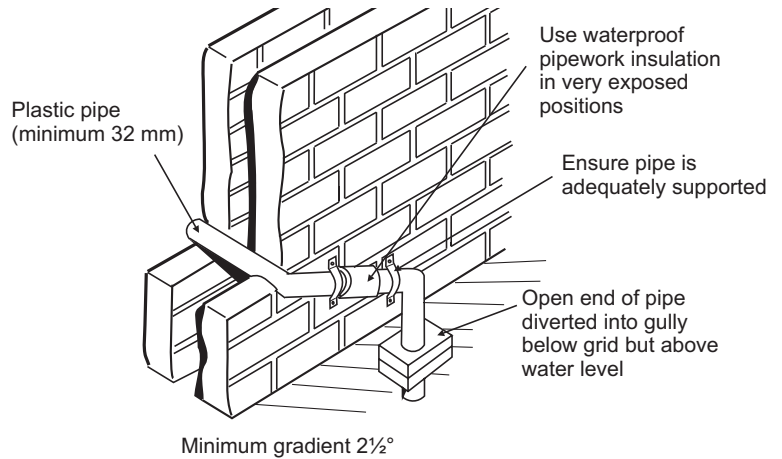


Fig. 3.7 - External gully

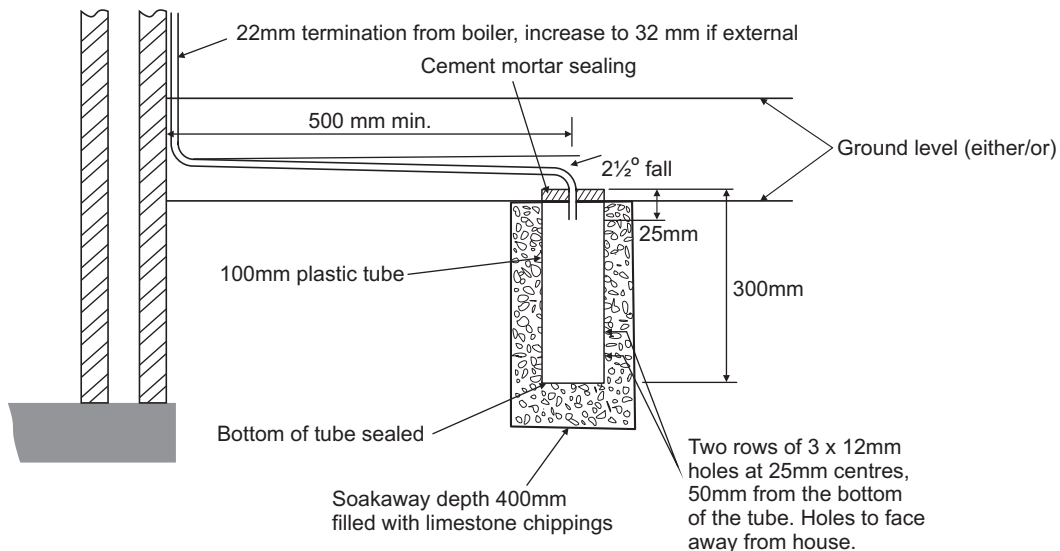


Fig. 3.8 - External soakaway

3.11 DOMESTIC HOT WATER SYSTEM

The minimum flow rate needed for the flow switch and burner to operate is 1.5 litres/min.

If the incoming mains water pressure is above 5 bar a pressure reducing valve must be fitted.

If the mains supply is fitted with a water meter, check valves or loose jumper stop cock, then a DHW expansion device must be fitted.

Following Part L Building Regulations, where the mains water hardness exceeds 200 parts per million, provision should be made to treat the feed water to the hot water circuit of combination boilers to reduce the rate of accumulation of limescale.

To ensure economic use, the pipe runs between the boiler and taps should be in 15 mm copper pipe and be as short as possible. Where possible the pipework should be insulated to reduce heat loss.

All taps and mixing valves used with the hot water system must be suitable for operating at a mains pressure of up to 8 bar.

Showers - A shower may be used with the boiler if required.

If a loose or flexible head type shower is used it may require the fitting of a double check valve, to comply with Water By Law 17.

Bidets - No anti-syphonage arrangements are necessary, provided the outlets are shrouded and it is not possible to attach a temporary hand held spray. A supply of direct mains fed hot and cold water is permitted provided the appliance is of the over-rim flushing type.

Before the mains water supply pipe is connected to the boiler, it should be thoroughly flushed out to avoid the danger of dirt or foreign matter entering the boiler.

4 INSTALLATION

4.1 UNPACKING

- The boiler carton also contains the following:-
 - Connection kit (union bends, washers and valves)
 - Mounting bracket plus screws and wall plugs
 - Condensate discharge pipe
 - Literature pack and Wall template

A suitable Alpha flue system must be selected to use with the boiler.

- Notes:**
- All flues must be suitable for Alpha condensing boilers.
 - CD 750 mm and 1000 mm flue extensions are available, if required.

- Unpack boiler and remove the loose items, packs and mounting bracket.

Note: The boiler can be stood in an upright position (only while the valves and union bends are not fitted).

It is recommended that two persons lift the boiler.

4.2 CLEARANCES REQUIRED - Fig. 4.1

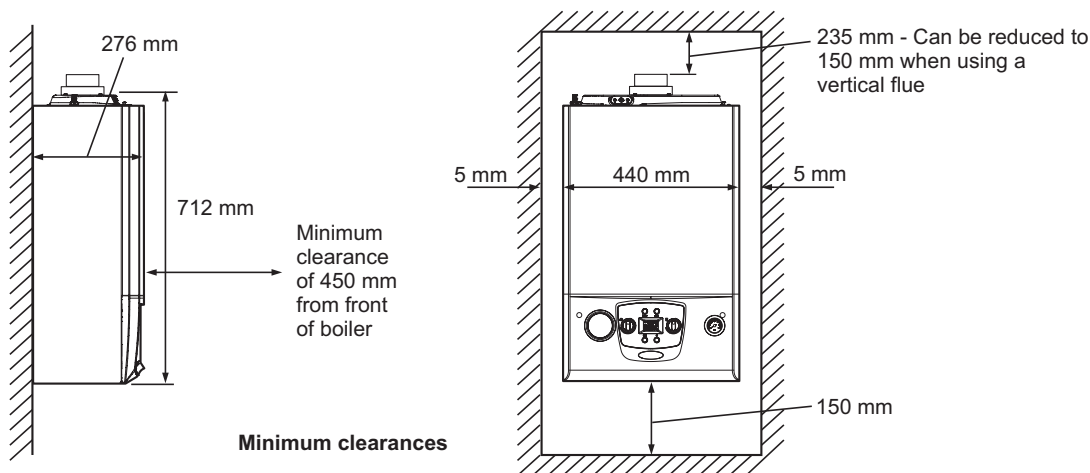


Fig. 4.1

4.3 PREPARE THE WALL - Fig. 4.2

- Decide upon the position of the boiler taking into account the clearances required for servicing and the flue terminal position.
- Tape the template to the wall (ensure it is level and the right way up) and mark the position of the holes for the boiler mounting bracket. If rear exit flue is used, mark the position of the hole for the flue.

- Side exit flue** - Continue the horizontal centre line of the flue across the wall to the side wall, then along the side wall 135 mm (ensure the lines are horizontal). This will give the position of the centre of the hole for the flue.

- Cut the 110 mm diameter hole (or use a 107 mm core drill) in the wall for the flue.

Notes: 1. Ensure the hole is horizontal.

- For internal fitting** of the flue, using the flue sealing collar supplied, cut a 130 mm dia. flue hole using a 127 mm core drill.

- Drill the fixing holes (10 mm dia.) to accept the No.10 plugs supplied. Using the screws supplied, fit the mounting bracket.

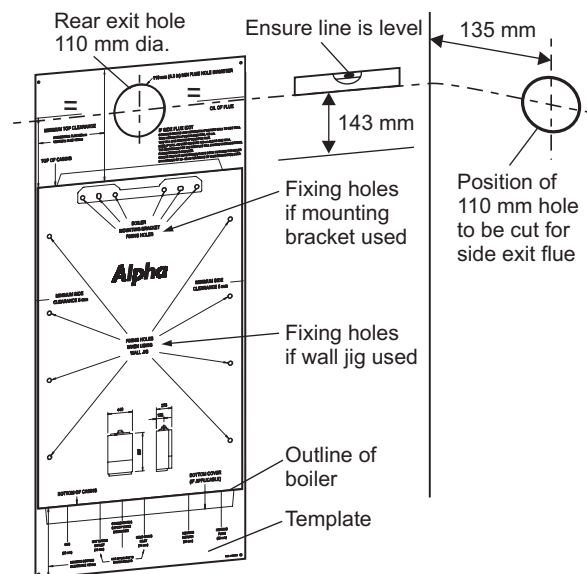


Fig. 4.2

4.4 FIT THE BOILER - Refer to Figs. 4.2 and 4.3

Lift the boiler and locate it on the mounting bracket - the boiler should be lifted by **two** persons.

Note: When handling or lifting always use safe techniques - keep your back straight, bend your knees, don't twist - move your feet, avoid bending forwards and sideways and keep the load as close to your body as possible. Where possible transport the boiler using a sack truck or other suitable trolley. Always grip the boiler firmly, and before lifting feel where the weight is concentrated to establish the centre of gravity, repositioning yourself as necessary.

4.5 CONNECT THE PIPEWORK - Fig. 4.4

1. Thoroughly flush out all the water pipework. Refer to Section 3.9.
2. Fit the valves to the boiler connections as shown in Fig. 4.4 - note the colours of the operating levers.
3. Connect the system pipework to the union fittings on the valves just fitted.

Note: When soldering bends, ensure they are not connected to the valves, otherwise the internal seals may be damaged.

One metre of copper pipe must be fitted to the boiler before connecting to any plastic pipework.

4. Connect the flexible condensate pipe to the rubber connector as shown in Fig. 4.4. Using the adaptor supplied, connect the flexible pipe to the condensate drain. Ensure that the condensate discharge pipe is as required in Section 3.10.
5. Ensure that all the valves are closed (operating lever at right angle to valve) and do not turn on the water or gas supplies at this stage.

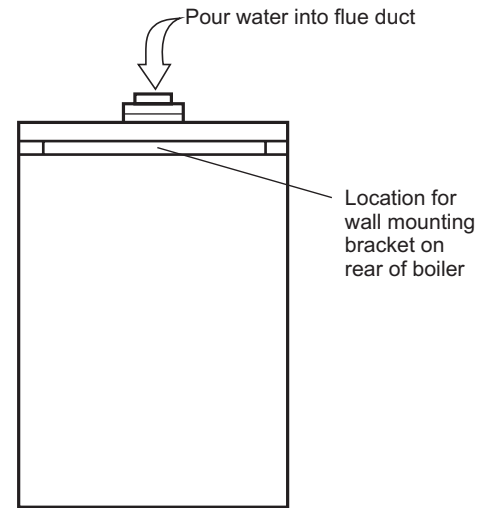
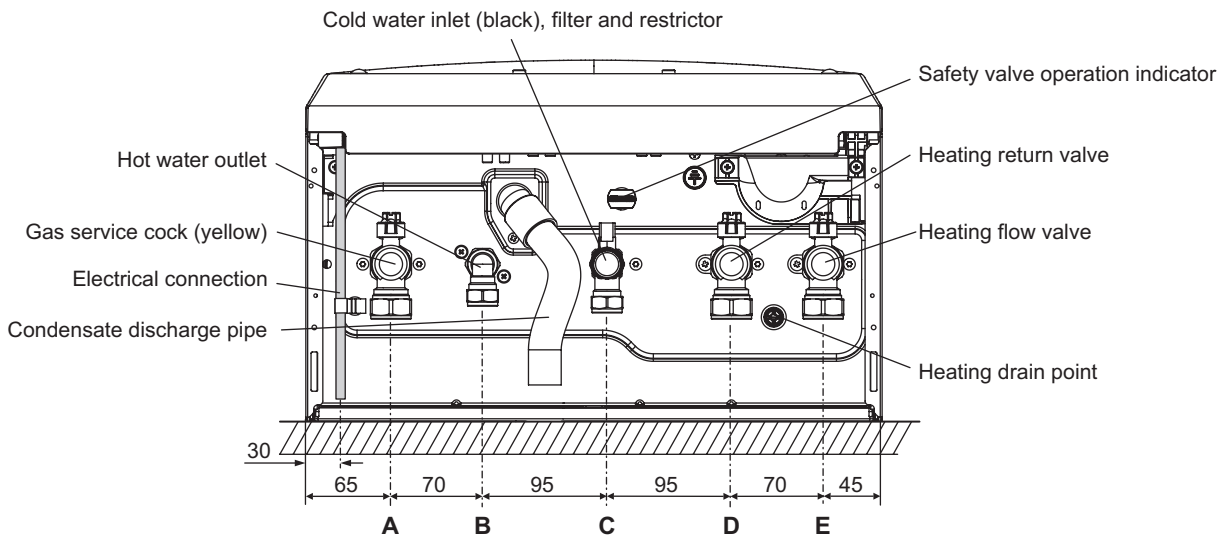


Fig. 4.3 - rear of boiler



- A - Gas inlet - Yellow (22 mm)
- B - DHW outlet elbow (15 mm)
- C - Cold water mains inlet - Black (15 mm)
- D - Heating return - (22 mm)
- E - Heating flow - (22 mm)

Fig. 4.4

4.6 FIT THE FLUE - Figs. 4.5 and 4.6

The following procedure applies to fitting an Alpha CD Easy-Flue to both rear or side exit flue - horizontally only.

- The CD Easy-Flues are suitable for use in the flue length ranges shown in the tables below.

Note: Where the length is less than the minimum or more than the maximum, refer to Section 4.7.

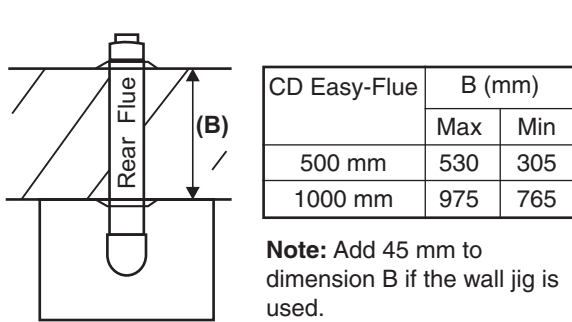


Fig. 4.5

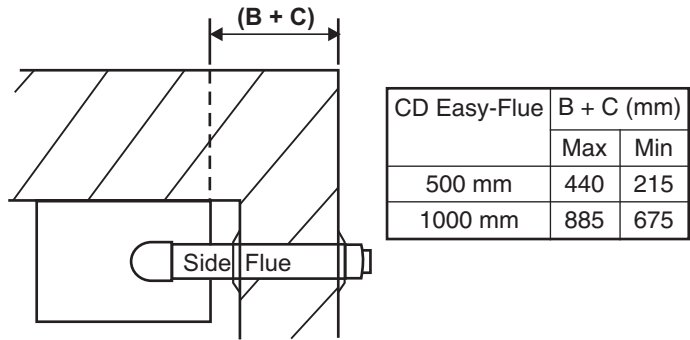


Fig. 4.6

- Determine the overall length (L) of flue required, (see Fig. 4.7) as follows:-

Rear flue $L = \text{wall thickness (B)} + 60 \text{ mm (105 mm if the wall jig is used)}$

Side flue $L = \text{wall thickness (B)} + \text{distance between boiler and wall (C)} + 145 \text{ mm}$

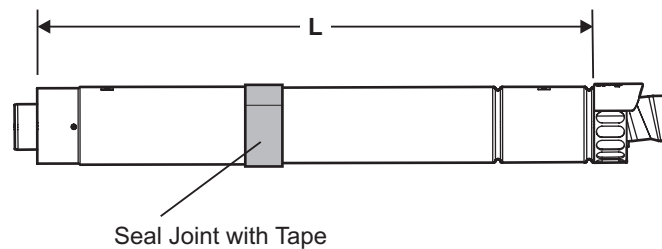


Fig. 4.7

- Adjust the telescopic section of the flue to the distance 'L', ensuring that the two labels marked 'TOP' are aligned, then seal and secure the joint between the ducts with the sealing tape supplied.

Note: Always ensure that there is a minimum overlap of 25 mm when fully extending the telescopic section.

- Pass the flue assembly through the wall (from inside or outside).

Note: Internal fitting - If there is no access to make good the outside wall, locate the outside (black) flue sealing collar onto the outer duct of the flue immediately before the terminal grille onto the location provided. Push the flue assembly through the 130 mm flue hole, so that the collar completely passes through the wall. Then pull the flue assembly back into the correct position. Visually check that the collar is sealing the outside wall and that it is not restricting any of the openings of the flue terminal.

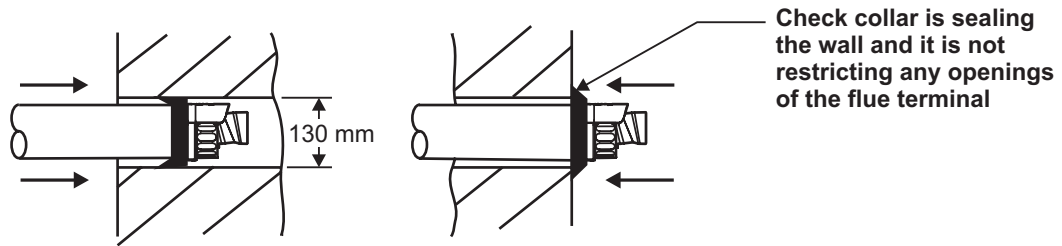


Fig. 4.8 - Fitting the flue from inside

5. Position the smaller Easy-Flue 40 mm clamp (with seal) supplied, over the bend. Fit the bend to the boiler and rotate to the correct position. Secure in position using the clamp. Ensure the clamp is located centrally over both the bend and boiler adaptor.
6. Fit the inside (white) flue sealing collar over the Easy-Flue. If it was not previously fitted, fit the outside (black) flue sealing collar onto the flue immediately before the terminal grille onto the location provided.
7. Slide the larger Easy-Flue 45 mm clamp over the outer duct and pull the flue assembly towards the bend, locating the inner duct into the seal joint on the bend. Ensure the labels marked 'TOP' are positioned at the top before securing the flue assembly to the bend with the clamp (three screws) located centrally over the joint.
Note: Check the flue terminal protrudes 120 mm out of the wall and the inner duct of the terminal is positioned correctly (see Fig. 4.9).
8. Make good the inside wall by pushing the inside flue sealing collar up to the wall.
 The hole around the flue can be made good using the flue sealing collars supplied or using a suitable sealant/cement if required.

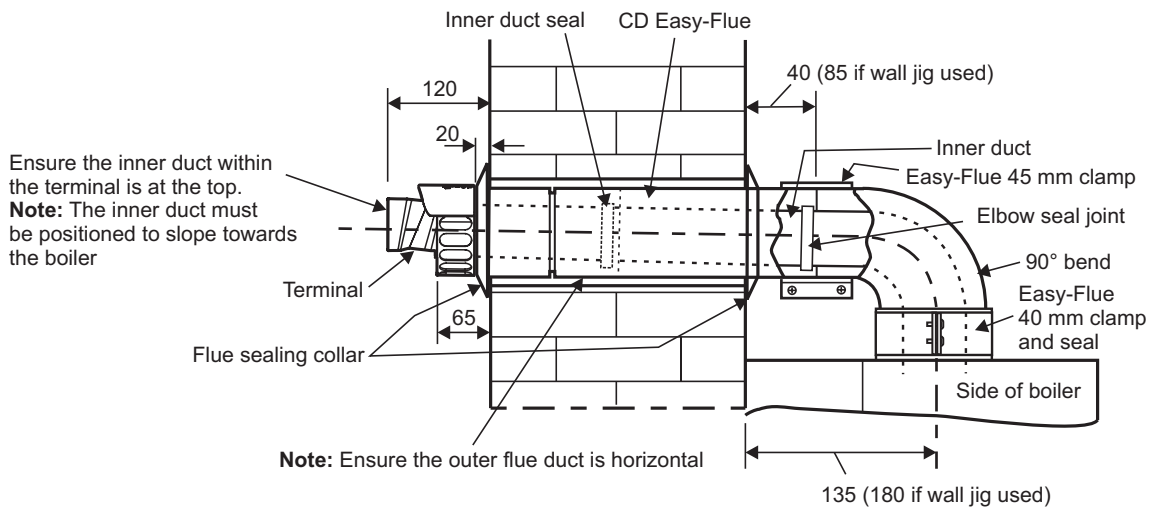


Fig. 4.9 - Rear flue

4.7 REDUCING THE FLUE - Fig. 19

When the flue length required is less than the minimum stated in Section 4.6, paragraph 1, refer to Fig. 4.10.

Discard the first telescopic section (**not** the section with the terminal) of the Easy-Flue 1000 mm or 500 mm and cut to the required length.

Note: Ensure that all cuts are square and free from burrs.

Once assembled with the components pushed home, the flue is fully sealed.

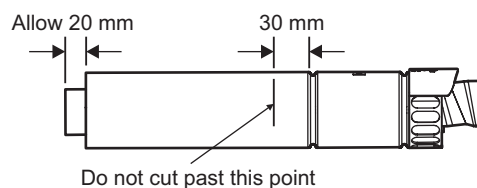


Fig. 4.10

4.8 EXTENDING THE FLUE - Fig. 4.11

Note: The flue assembly length must not exceed the maximum length stated, including the equivalent lengths of any extensions, bends etc. used for plume management components. **Eco² boilers must not exceed the maximum of an equivalent horizontal flue length of 12 m.**

- When the flue length required is more than the maximum stated in Section 4.6, paragraph 1, refer to the table below and Figs 4.5 and 4.6.

| Rear Flue length (B) | Side Flue length (B + C) | Comments |
|---|-----------------------------|---|
| Up to maximum:- 11.890 m (Subtract 45 mm if the wall jig is used) | Up to maximum:- 11.805 m | Alpha CD 750 mm flue extension (Part No. 6.2000750) or 1000 mm extension (Part No. 6.2001050) is required to extend the range of telescopic flue. Refer to Section 4.8 for instructions on how to extend the flue. Note: A 130 mm flue hole (127 mm core drill) may be required in the wall. This is when the extended flue is passed through the wall. |

Additional support brackets are required when extending the flue. These are available from Alpha, Part No. 6.1000355.

- Use the template (supplied with the boiler) to mark the required flue position, ensure the slope towards the boiler is correct.
 - Determine the overall flue length as described in Section 4.6, paragraph 2 to determine the number of Alpha CD 750 or 1000 mm flue extensions required.
 - Assemble the flue extensions together by locating the inner duct into the seal joint and secure each extension together with the extension clamps supplied (three screws). Ensure that the clamps are positioned centrally over the joints.
- Note:** If it is required to cut an extension, **DO NOT** cut the end of the inner duct that incorporates the seal joint. Ensure the inner duct end without the seal joint is cut so that it is 20 mm longer than the outer duct. Ensure that all cuts are square and free from burrs. Once assembled with the components pushed home, the flue is fully sealed.
- Adjust the telescopic section of the Easy-Flue to the required length and secure the Easy-Flue with the sealing tape supplied. Fit the Easy-Flue to the extensions by locating the inner duct into the seal joint and secure with the clamp (three screws), ensuring it is located centrally over the joint.
 - Mark the end of the flue assembly 'TOP' where it is connected to the boiler, so that the 'TOP' of the flue terminal is aligned with the 'TOP' at the boiler end of the flue assembly.
 - Pass the complete flue assembly through the wall.
 - Position the smaller Easy-Flue 40 mm clamp (with seal) supplied, over the bend. Fit the bend to the boiler and rotate to the correct position and secure in position. Ensure the seal is located centrally over both the bend and boiler adaptor. If the inside sealing collar (white) is being used to make good the inside wall, then it will need to be fitted before assembling the flue.
 - Slide the larger Easy-Flue 45 mm clamp (two screws) over the outer duct and pull the flue assembly towards the bend, locating the inner duct into the seal joint on the bend.

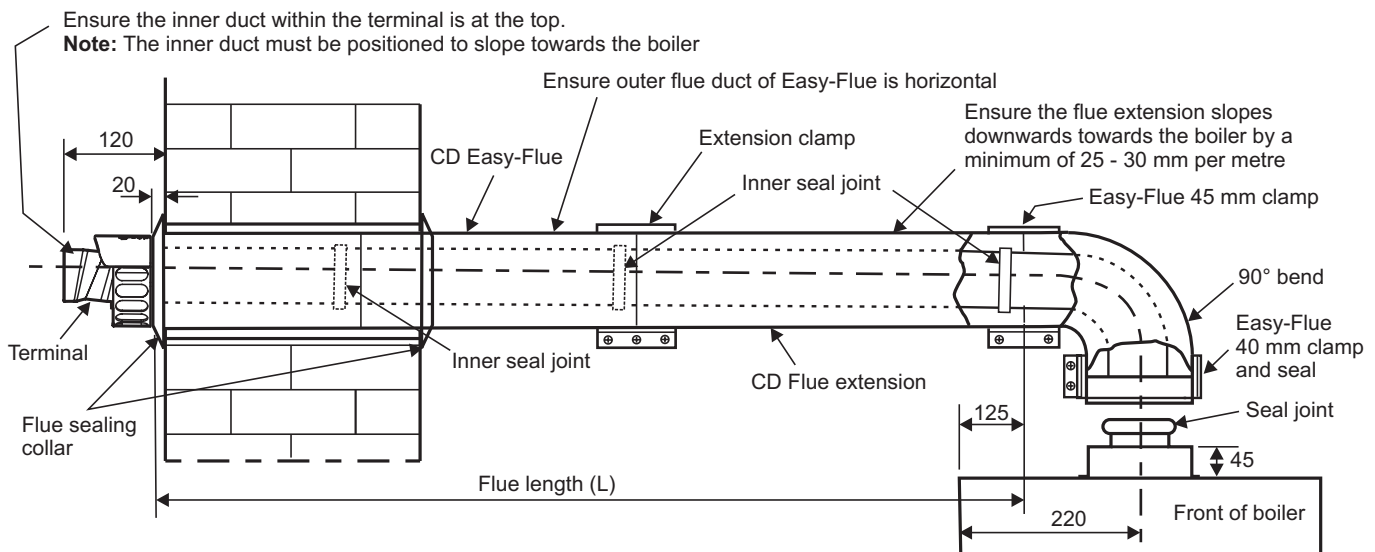


Fig. 4.11 - Side flue

10. Secure the flue assembly to the bend with the clamp ensuring it is positioned centrally over the joint, ensuring the 'TOP' marked on the outer duct is positioned at the top.
Note: Check the flue terminal protrudes 120 mm out of the wall and that the inner duct of the terminal is positioned correctly, i.e. the inner duct within the terminal is at the top. See Fig. 4.11.
11. Make good the outside wall by fitting the outside sealing collar (black) onto the location provided immediately behind the flue terminal grille. Make good the inside wall using the inside sealing collar (white) if required.

4.9. FIT PLUME MANAGEMENT COMPONENTS - (OPTIONAL)

The following procedures detail the options for management of the exhaust flue gas/plume emitted from the terminal.

- a. The terminal supplied with the Easy-Flue can be altered to divert exhaust flue gas/plume at an angle.
 This can be achieved by simply turning the end section of the terminal to the desired angle.
- b. The CD Easy-Flue can be converted to allow the inner flue duct to be extended so as to position the terminal in an area where the exhaust flue gas/plume will not cause a nuisance. This can be done before or after installation of the flue, providing there is access to the terminal from outside.
 - i. Remove the screws (1 in Fig. 4.12) securing the terminal and remove the terminal by pulling it from the flue assembly. Remove the screw (2 in Fig. 4.12) securing the terminal end section and remove the end section from the terminal.
 - ii. Locate a 93° Plume Management bend into the flue assembly and rotate it to the direction required.
 - iii. Connect to the 93° bend the required Plume Management components as detailed and refer to Fig. 4.13.

Notes:

1. The wall support brackets must be used to secure the Plume Management pipework to the wall and prevent disconnection of the 93° bend from the flue assembly or any other component.
2. Each joint must be secured with one of the screws provided to prevent accidental disconnection.
3. Ensure there is always a slight slope towards the flue assembly fitted in the wall and there is no part of the plume management pipework where condensate/rain will collect and cause a blockage or any restriction.
- iv. Terminate the Plume Management pipework by fitting the terminal end section (push-fit) previously removed. Refer to Fig. 4.13.
- v. The Plume Management components available for extending the inner flue duct are as follows:-
 Plume Management 93° bend 60 mm dia. (each 93° bend equivalent to 1.3 m flue length)
 Plume Management 45° bend 60 mm dia. (each 45° bend equivalent to 0.9 m flue length)
 Plume Management 1000 mm extension 60 mm dia. (equivalent to 1 m flue length)
 60 mm dia. wall bracket

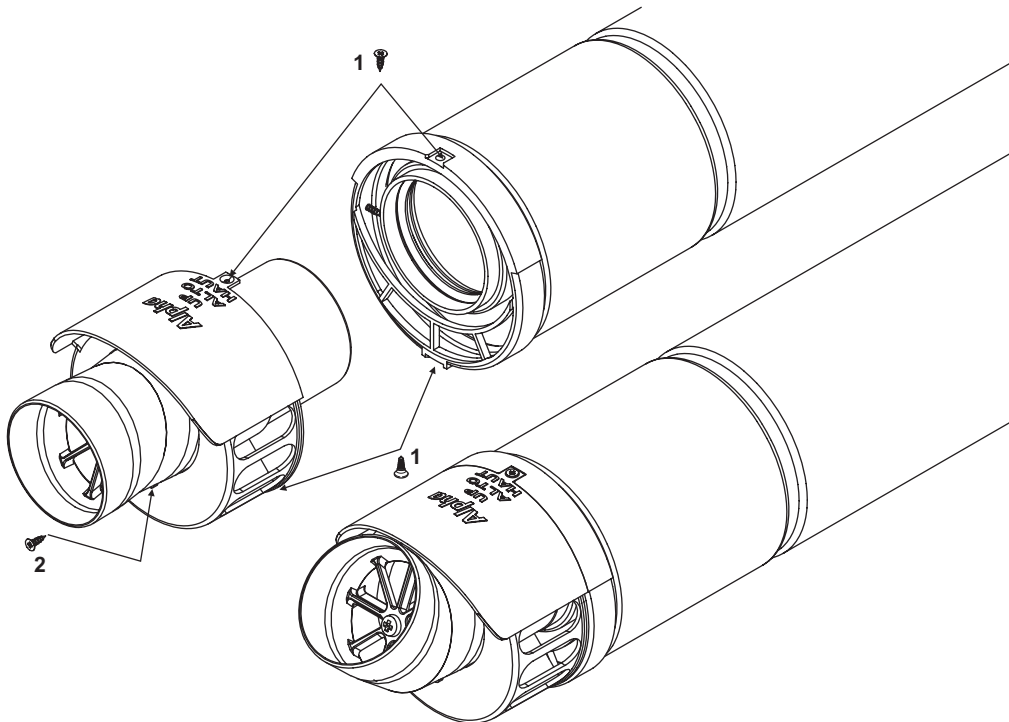


Fig. 4.12

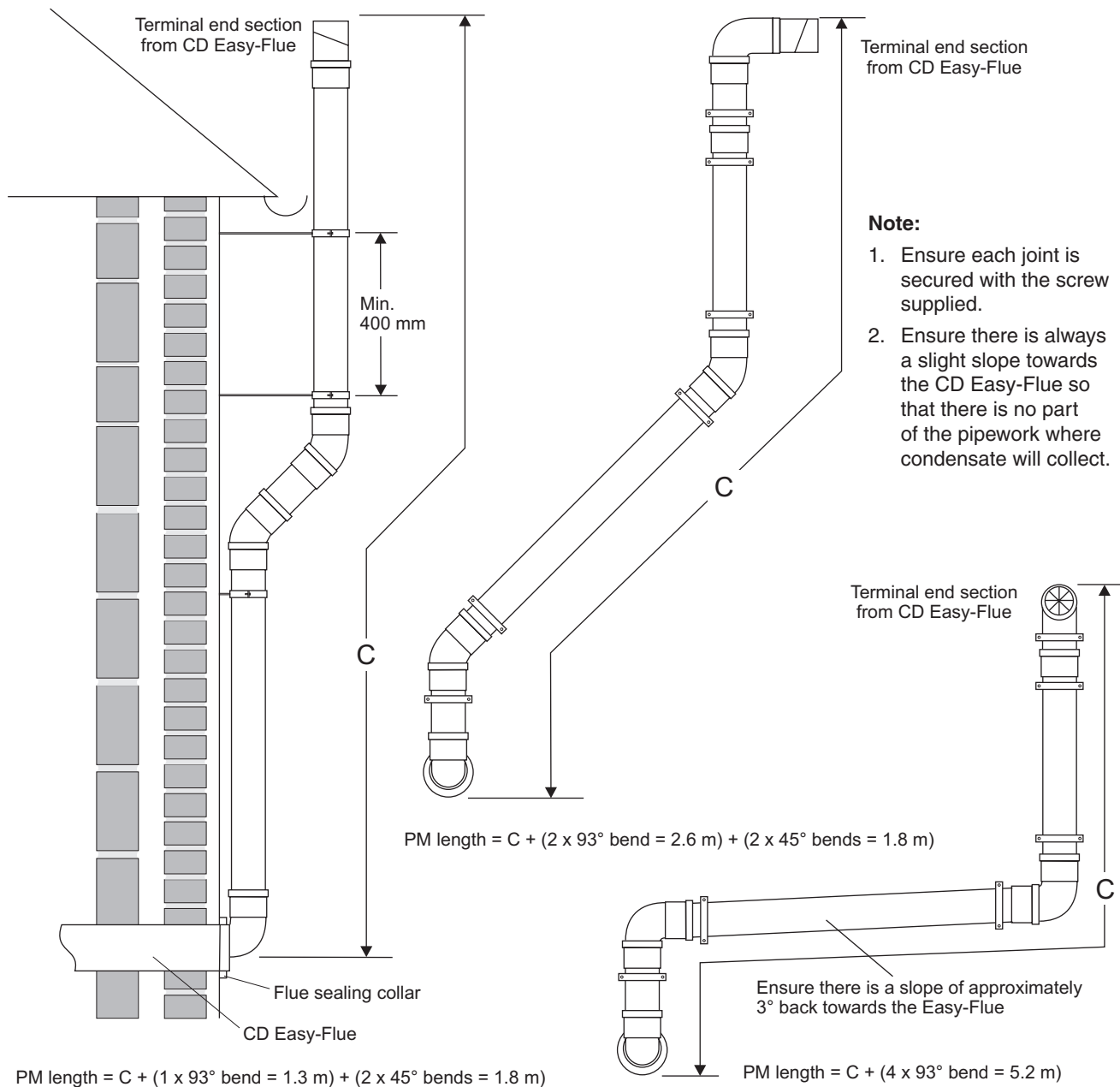


Fig. 4.13

Note: The equivalent horizontal flue assembly length + the equivalent plume management length (PM length) must not exceed the maximum flue length stated for each boiler, i.e.

Alpha InTec² boiler maximum equivalent flue length must not exceed 12 metres.

4.10 CONNECT THE MAINS SUPPLY - Figs. 4.14 and 4.15

Gain access to the boiler terminal block 'D' as follows:-

Remove the control panel cover, refer to Section 6.1.

Remove the wiring cover 'B'.

1. Remove the two screws 'A' in Fig. 4.14.
2. Depress the two clips on the wiring cover and remove the cover 'B' from the control panel 'C'.
3. Remove the cover 'B' from the control panel 'C'.

Refer to Technical Data, Section 2.5 for connection details.

Note: This boiler has been fitted with a mains supply cable. However, if it is necessary to fit an alternative supply cable, ensure the cable clamp that has been fitted is removed and connect as follows:-

Pass the mains supply cable through the cable clamp and connect as follows:- Brown to L, Blue to N and Green/Yellow to \perp . Ensure correct polarity.

Note: Ensure that the length of the earth wire is such that if the supply cable is pulled out of its clamp the live and neutral wires become taut before the earth wire.

Do not switch on the electrical supply at this stage.

If an external control, i.e. room thermostat or external clock is to be fitted, remove the link between terminals 1 and 2. Pass the cable through the cable clamp and connect it to terminals 1 and 2. (Refer to Section 2.5).

Leave the control panel open until commissioning procedures have been completed.

Carry out electrical system checks - Short circuit, Polarity, Earth continuity and Resistance to earth with a suitable multimeter.

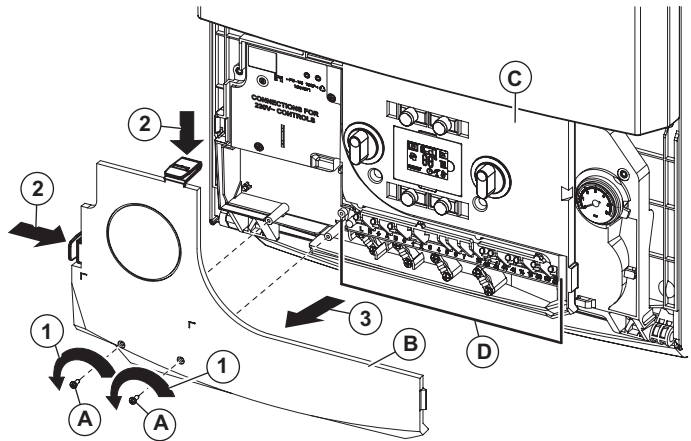


Fig. 4.14

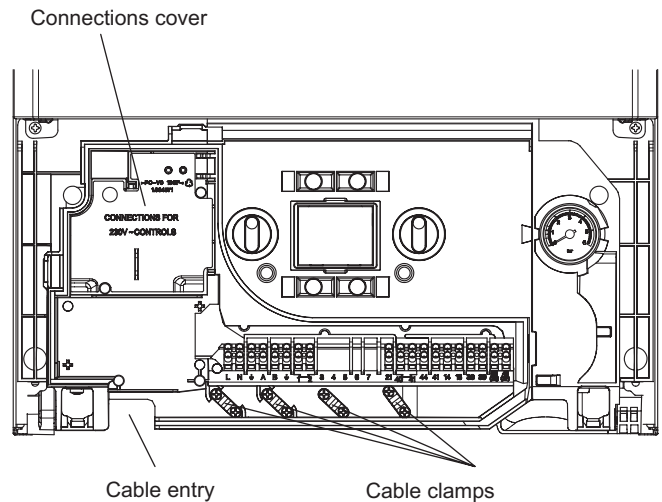


Fig. 4.15

4.11 FITTING BOILER CONTROLS

It is recommended that Alpha controls are used with the boiler to maintain efficient and correct operation of the boiler.

Please note that using controls that are not supplied or recommended by Alpha may invalidate the boiler warranty and may not control the boiler correctly.

Alpha offer a number of controls options from simple in-built mechanical timers to remote wireless programmable controllers.

The Alpha Climatic Programmable Modulating Boiler Energy Manager is a two-channel time and temperature programmer with integrated thermostat and 'BUS' system to transfer data between the boiler and controller, enabling full remote control of the boiler functions and display of information. With enhanced boiler control, the unit further increases boiler and system efficiency. Alternatively standard programmable room thermostats or mechanical and digital boiler clocks are available.

Note: Only use a Climatic or suitable single channel Alpha controller. Do not fit a two channel controller.

Connecting Controls

Remove the wiring cover as described in Section 4.10, if it has not already been removed.

Note: Do not remove the 230 V controls connection cover, see Fig. 4.15

Climatic RF receiver installation

1. Plug the connecting wire onto the Climatic receiver PCB supplied with the controller.
2. Using the two screws provided, fix the receiver PCB into position.
3. Route the wire along the groove in the control panel to terminal block connections 44 and 41 (the wires can be connected either way round).
4. Replace the control panel cover in reverse order.

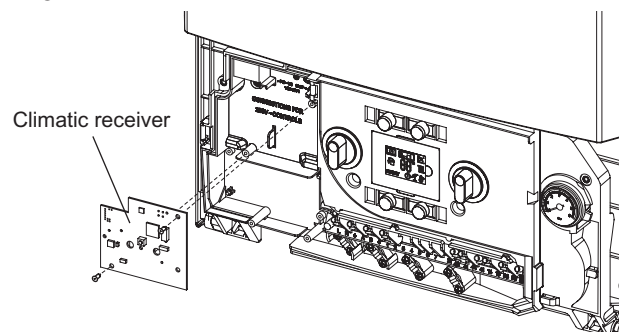


Fig. 4.16

Comfort or Easy-Stat RF receiver and Digital or Mechanical Clock installation

1. Remove the screw securing the connections cover labelled 'connections for 230 V controls' to expose the receiver/clock connections. See Fig. 4.15.
2. Remove the link between the red wires 3 and 4 and plug all wires on to their corresponding numbers on the receiver or clock.
3. Locate the receiver or clock onto the two pins and using the two screws provided fix into position.
4. Remove the round blanking panel from the wiring cover and re-fit the control panel cover in reverse order.

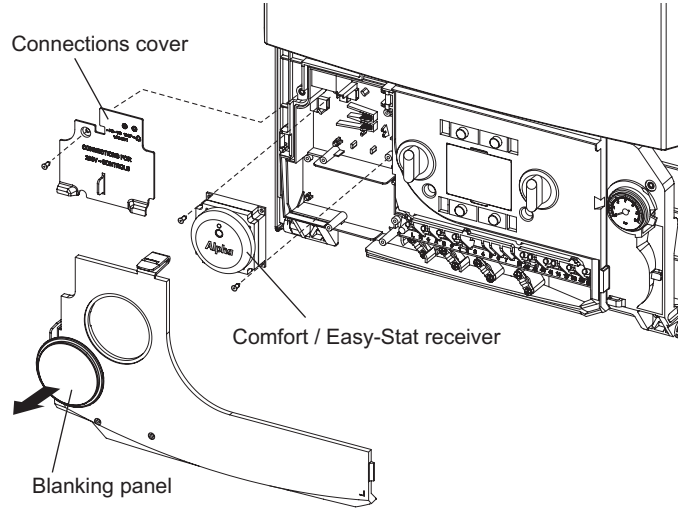


Fig. 4.17

External Sensor – Weather compensation feature

The Alpha Eco² boilers have a built in weather compensation feature which is automatically activated when the external sensor is fitted – Part No 3.022383. When fitted the weather compensation sensor allows the boiler to control the maximum primary flow temperature to the heating circuit according to the outside temperature, heating the property more effectively and efficiently.

Operation

During a central heating on period the sensor monitors the external temperature and modulates the boiler heating output to give the correct flow temperature to maintain the required room temperature. If the external temperature drops then the flow temperature will increase, if the external temperature increases then the flow temperature will decrease. This reduces the amount of wasted energy and reduces gas consumption.

When an external weather sensor is fitted the CH temperature control dial will no longer adjust the flow temperature in °C, instead the display will show a scale of 1 to 9. Each number corresponds to a line on the graph in Fig. 4.18 e.g. line 6 will give a flow temperature of 60°C when the external temperature is 10°C.

Note: The temperature of the radiators will vary depending on the outside temperature; the required room temperature will still be maintained by the room thermostat.

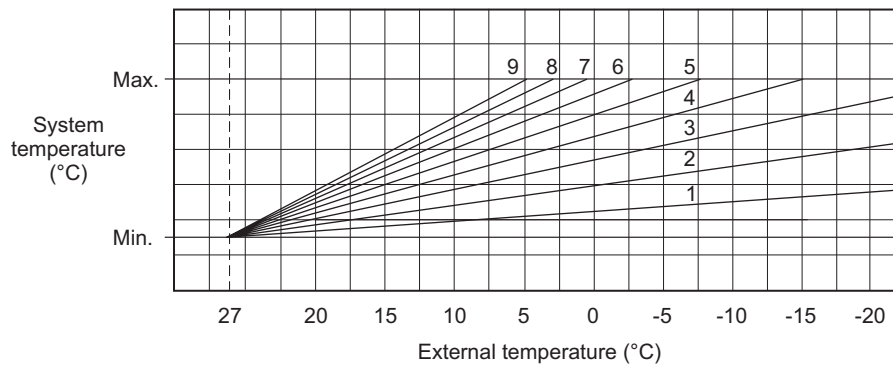


Fig. 4.18

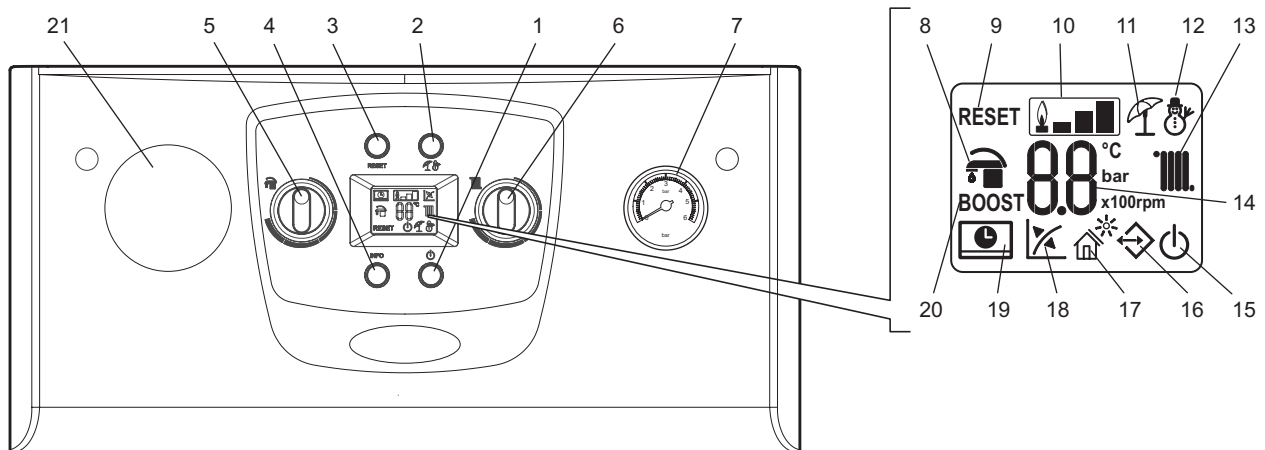
5 COMMISSIONING

When commissioning the boiler, ensure the **Benchmark Checklist** at the back of these instructions is completed.

5.1 FILL THE SYSTEM

1. The boiler is fitted with an automatic air vent positioned on the pump (see Fig. 6.7), ensure that the vent is always open.
2. Open the central heating flow and return valves (operating lever in-line with valve) (see Fig. 4.4).
3. Open the fill point valves on the filling loop until water is heard to flow.
4. To remove the air - Vent each radiator in turn, starting with the lowest in the system.
5. Vent air from the primary heat exchanger via the manual vent at the top right hand side (see Fig. 6.7).
6. It is important that the pump is properly vented to avoid it running dry and damaging its bearings. Unscrew and remove the cap from the centre of the pump. Using a suitable screwdriver rotate the exposed spindle about half a turn, then replace the cap.
7. Check the operation of the safety valve (see Fig. 6.7) by turning the head anti-clockwise until it clicks. The click is the valve lifting off its seat allowing water to escape from the system - check that this is actually happening.
8. Continue to fill the system until the pressure gauge indicates 1.0 bar. Close the fill point valve and check the system for water soundness. Disconnect the filling loop from the mains supply.
Water may be released from the system by manually opening the drain point (see Fig. 6.7) until the system design pressure is obtained. The system design pressure (cold) should be between 0.75 and 1.25 bar.
Refer to Sections 3.8 and 3.9. Filling and Flushing the system.
9. Open the cold water mains inlet valve (see Fig. 4.4). Turn on all hot water taps and allow water to flow until no air is present. Turn off taps.
10. Ensure that the condensate trap has been filled with water.
The condensate trap will be filled automatically when venting the heat exchanger in paragraph 5 above.

5.2 BOILER CONTROLS - Fig. 5.1



- | | | |
|---|---|--|
| 1 On-Off/Standby button | 9 Boiler locked, requires reset via 'RESET' button | 16 Presence of external connected devices |
| 2 Summer/Winter button | 10 Flame present symbol and relative power scale | 17 Solar function active |
| 3 Reset button | 11 Operating in summer mode | 18 Functioning with external temperature probe active (optional) |
| 4 Information button | 12 Operating in winter mode | 19 Boiler connected to remote control (optional) |
| 5 Domestic hot water temperature selector switch | 13 Central heating mode active | 20 Not used on this model |
| 6 Central heating water temperature selector switch | 14 Temperature indicator, boiler info and error codes | 21 Optional boiler controls (if fitted) |
| 7 Heating system pressure gauge | 15 Boiler in Stand-by mode | |
| 8 DHW mode active | | |

Fig. 5.1

5.3 TEST FOR GAS TIGHTNESS AND PURGE THE SUPPLY

1. With the boiler connected, pressure test the gas supply and inlet pipework connected to the boiler for tightness in accordance with BS 6891.
2. Loosen the gas inlet pressure test point screw on the gas valve (see Fig. 5.2) and purge in accordance with BS 6891.
3. Retighten the test point screw and test for gas tightness. Close the boiler gas service cock.

5.4 CHECK THE AIR FLOW THROUGH THE HEAT EXCHANGER

The following air flow check must be carried out and the reading logged in the box provided in the table below. This figure is then used as a reference during future servicing of the boiler to determine if the heat exchanger needs to be cleaned.

This check must be carried out with the front case fitted.

Before carrying out this check the flue must be fully installed and the condensate trap filled with water.

1. Remove the pressure test point caps at the top of the boiler and connect a digital differential pressure gauge across the positive (F+) and negative (A-) pressure connections, see Fig. 5.3.
2. Set the boiler to stand by and press and hold the reset and stand by buttons simultaneously for 15 seconds. The summer/winter symbol (☀️ ❄️) and the number 55 will flash on the display indicating that the fan is running at a fixed speed of 5500 rpm.

Note: The boiler does not fire during this operation.

3. Observe the pressure differential reading and compare it to the tables below and record the figure in the box at the bottom of the table to be used as a reference for future servicing.

If on a future service the pressure reading has reduced by 40% or more then the heat exchanger must be cleaned. Refer to Section 6.5.

i.e. If the measured value is less than 0.6 x the original reference value, the heat exchanger should be inspected and cleaned.

| 'F0' parameter setting | Pressure (mbar) | Indicative flue length (m) |
|----------------------------------|-----------------|----------------------------|
| 0 | 0 to 1.68 | From 0 to 4.5 |
| 1 | 1.68 to 2.02 | From 4.5 to 9.0 |
| 2 | 2.02 to 2.40 | From 9.0 to 13.0 |
| Recorded pressure reading | | |

4. If during first commissioning the readings are not within those stated in the tables above then the flue must be checked for integrity and length. If the flue length exceeds 5 m then the 'F0' parameter should be changed to suit, see parameter settings in Section 5.14.

Note: If the 'F0' parameter has been changed then a fast calibration is required see Section 5.13. This is indicated by the code E72 shown on the display.

The air flow check function will operate for 15 minutes, alternatively disconnect the boiler electrical supply or press the standby button (⏻) for 8 seconds to exit the function early.

5.5 INITIAL LIGHTING - Refer to Fig. 5.1

1. Before turning on the gas and electrical supplies check the heating system is filled to the correct pressure. Refer to Section 5.1 Fill the System. The pressure gauge on the right of the control panel indicates the heating system pressure. When the boiler is cold the needle should be within the green band.
2. With the gas and electrical supplies to the boiler off, ensure that the mains water inlet valve and the central heating flow and return valves are open.
3. Turn on the gas and electrical supplies to the boiler.

When the electricity supply is turned on, the boiler will automatically go through a system purging cycle for 8 minutes counting down from 96 on the display. This can be interrupted by pressing the RESET button (item 3 in Fig. 5.1). It is recommended that this cycle is allowed to complete when first lighting the boiler to help remove air from the system. After this the boiler will be in either Standby or On mode, the On-Off/Standby button (item 1 in Fig. 5.1) is used to scroll between these modes or press and hold it in to turn the boiler off.

Note: This **does not** isolate the electricity supply to the boiler.

4. Ensure all external controls are calling for heat.
If the optional controls are fitted, refer to the instructions supplied, and ensure they are in an 'on' mode.
5. Press the Summer/Winter button (item 2 in Fig. 5.1) to select either summer (☀) or winter (❄) mode.

Summer (☀): In this mode the boiler will only fire when hot water is requested through opening a hot water outlet tap and the heating will not function even if requested by any controls. The desired hot water temperature can be set using the hot water selector switch (item 5 in Fig. 5.1) on the control panel, when the tap is open the display will indicate the actual primary flow temperature (item 14 in Fig. 5.1).

Winter (❄): In this mode the boiler will function in heating and hot water depending on the request from any controls fitted. The boiler will always prioritise hot water when any hot outlet tap is opened. The heating will activate depending on the request from any external controls fitted. The domestic hot water (item 5 in Fig. 5.1) and central heating (item 6 in Fig. 5.1) selector switches on the control panel can then be turned to the required set temperatures shown on the display. The primary flow temperature will be displayed (item 14 in Fig. 5.1) when operating in heating or hot water.

Note: If a weather compensation sensor is fitted a gradient value of 1 to 9 is displayed (see Fig. 5.1) when adjusting the central heating temperature selector switch. This is because the boiler output is modulated according to outside temperature. Refer to external sensor instructions for further information on this feature and Section 4.11.

6. From this moment the boiler functions automatically. With no demand for heat (central heating or domestic hot water production) the boiler goes to "standby" function.

Each time the burner ignites, the flame present symbol (item 10 in Fig. 5.1) is displayed together with the relative strength of the flame (output power).

For any controls fitted please refer to the instructions supplied with the controls for connection and operation details and Section 4.11.

5.6 BOILER OPERATION

Domestic hot water supply always takes priority over central heating. If a demand for hot water is required during a central heating period, the boiler will automatically switch to the hot water mode until the demand is satisfied. This interruption in the central heating is only when the demand for hot water is present and should not be noticed by the User.

Central heating mode

If there is a call for heat, the pump will start to circulate the central heating water. The fan will run and the premix burner will light. The burner output then automatically adjusts to suit the system demand; as the temperature of the water in the boiler approaches that set by the adjustable temperature thermostat, the burner output is reduced. When the set temperature is reached, the burner is turned off. The fan continues to run for 30 seconds and the pump continues to run for three minutes, after which the burner can relight if required. If the primary sensor has not registered the preset temperature but the room thermostat is satisfied the burner is turned off. The fan continues to run for 30 seconds and the pump continues to run for 10 seconds. In this instance there is no delay before the burner will relight.

If there is a demand for DHW during the burner delay, the boiler will operate to provide DHW until the tap is closed; the boiler will then revert to provide CH if there is a demand.

Note: If the system pressure is very low, the primary pressure switch will prevent the boiler from operating.

Domestic hot water mode

When a demand for hot water (by opening a hot tap, etc.) is sensed by the flow switch, the pump starts and the burner lights, increasing immediately to its maximum output. Water in the boiler is then diverted from the central heating system to the domestic hot water heat exchanger, heating the incoming mains water. The burner output is varied to maintain the temperature of the hot water as that set by the adjustable temperature selector. When the flow switch senses that hot water is no longer required the burner is turned off and the boiler returns to the central heating mode.

If the boiler is set for hot water only - The burner is turned off, the fan will continue to run for 30 seconds and the pump will stop immediately.

In both modes the fan modulates according to the output required.

Frost Thermostat

The boiler incorporates a built in frost thermostat which automatically turns on the boiler if the water in the boiler falls below 4°C, providing the electrical supply is on and the boiler is in standby mode. The boiler will operate until the water temperature in the boiler reaches 42°C.

Any other pipework outside of the boiler must be protected from the risk of freezing and insulated. Additional protection from an external frost thermostat and pipe thermostats should be considered.

Pump Cycle

If the electrical supply is on and the boiler has not operated for 24 hours in heating or hot water, the pump will operate automatically for thirty seconds every 24 hours.

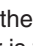
5.7 CHECKING THE COMBUSTION - CHIMNEY SWEEP MODE


As part of the Benchmark Checklist procedure the combustion levels of the boiler when the installation is completed must be measured and recorded.

The air gas ratio of the boiler has been factory-set and should not require adjusting during commissioning. If adjustment is recommended or required the engineer must be competent to carry out this work.

If the boiler requires adjusting or setting to operate on LPG, further guidance on the full calibration setup procedure is detailed in Section 5.12.

Standard Combustion Check Procedure - This check must be carried out with the front case fitted.

Without any CH or DHW demand, press and hold the reset button for eight seconds and the boiler will fire at a fixed output depending on the position of the central heating thermostat knob. The parasol and snowman () will flash at the same time to indicate this mode, if a Climatic controller is fitted it will display ERR>07 code on the controller (this is not a fault). The boiler output can then be manually controlled by turning the Central Heating control knob from the minimum CH output to the maximum CH output. The display will display the percentage of the CH heat output (values from 00 minimum, to 99 maximum). This mode will remain active for fifteen minutes or can be cancelled by turning the boiler off.

Set the CH knob to minimum to check the minimum CO₂ reading, wait for the boiler to carry out a self-diagnosis test, indicated by the () symbol flashing. When the symbol stops flashing, check the combustion and record the reading. Set the CH knob to maximum to check the maximum heating CO₂, again allow the burner to stabilise as described above and record the reading.

Set the CH knob until the display shows 56 and check the CO₂ at the medium level (ignition). Again allow the burner to stabilise as described above and check the reading.

Note: Comparing the chimney sweep function and full calibration, the medium heat output percentage at ignition is a different value because the first one refers to the maximum CH output, while the second one refers to the maximum DHW output.

If the flow temperatures are getting up to maximum operating temperature during the procedure it is possible to open a hot tap to lose some heat.

Note: With the tap open the boiler still remains at the output set by the CH knob position, i.e. between minimum and maximum CH output.

If the CO₂ readings are not within the stated tolerance (refer to Section 2.1) then check the installation including the complete flue assembly and repeat the above process.

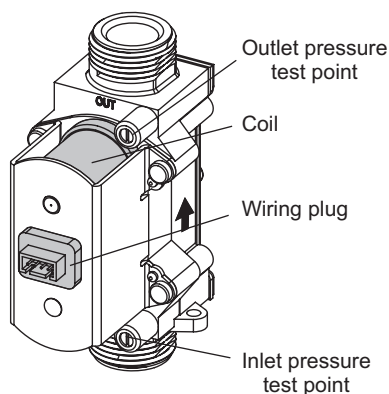


Fig. 5.2

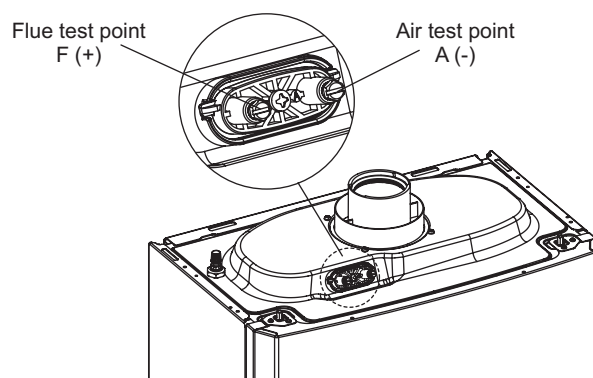


Fig. 5.3

5.8 FINAL COMMISSIONING

1. Allow the heating system to heat up, then balance the system to achieve the necessary temperature difference across the heating flow and return pipes at the boiler and check the system volume and pressure. (Refer to Section 2.1).
2. Turn off the boiler.
3. Thoroughly flush out the water pipework (refer to Section 3.9). Clean the mains water inlet filter (see Fig. 4.4).
4. Refill and re-pressurise the system as described in Section 5.1.
5. Add the correct level of inhibitor to the system as detailed in the instructions supplied with the inhibitor.

5.9 FINAL ASSEMBLY

1. Raise the control panel and secure in position with the screws provided.
2. If the boiler is to be left in service with the User, set the controls, clock (if fitted, see User's Operating manual) and room thermostat (if fitted) to the User's requirements.
3. If the boiler is not to be handed over immediately, close the boiler gas service cock and switch off the electrical supply.
4. If there is any possibility of the boiler being left during frost conditions, then the boiler and system should be drained (refer to Section 7.2). It is recommended that a label is attached to the boiler drawing attention to the fact that the system has been drained.
5. Complete the details of the installation in the Benchmark Checklist at the back of these instructions.

5.10 USER INFORMATION

The User must be advised (and demonstrated if necessary) of the following important points:-

1. How to light and turn off the boiler and how to operate the system controls.
2. The importance of annual servicing of the boiler to ensure safe and efficient operation and maintain the boiler guarantee.
3. That any servicing or replacement of parts must only be carried out by a Gas Safe registered engineer.
4. Ensure that the boiler controls and room thermostat (if fitted) are set to the User's requirements.
5. Tell the User about the sealed system pressure.
6. Tell the User that if the electrical supply is on and the boiler has not operated for 24 hours for heating or hot water, the pump will automatically operate for 30 seconds.
7. Explain to the User that an internal frost thermostat is fitted in the boiler, and that the electrical supply to the boiler must be left on for the thermostat to operate, i.e. the boiler must be set to standby.
8. Explain to the User that in certain weather conditions the flue terminal will emit a plume of steam, i.e. water vapour. This is safe and quite normal.
9. Show the User the position of the condensate discharge pipes.
10. Leave the instructions with the User.
11. Ensure the Benchmark Checklist at the back of these instructions has been completed after the boiler has been installed and commissioned.
Note: It is a requirement that the installation is registered by the installer through the Gas Safe Gas Work Notification Scheme.
12. Leave these Installation and Servicing instructions with the User for use on future calls.

5.11 INFORMATION MENU

By pressing the info button (item 4 in Fig. 5.1) the information menu is accessed, this will then show the information according to the table below.

| Info Menu (d - prefix) | Information | Units Shown |
|---------------------------|--|----------------|
| d0 | Not used | |
| d1 | Flame signal | kOhm/10 |
| d2 | Central heating water temperature leaving the boiler | °C |
| d3 | Domestic hot water temperature leaving the boiler | °C |
| d4 | Central heating set point temperature | °C |
| d5 | Domestic hot water set point temperature | °C |
| d6 | External weather compensation probe temperature (value flashes if negative) | °C |
| d7 | Mains inlet temperature or FlowSmart cylinder temperature (if sensor fitted) | °C |
| d8 | Not used | |
| d9 | Fault history - by rotating the CH knob (item 6 in Fig. 5.1) in this menu the last five faults will be displayed | Error code |
| d10 | Fault history reset - when in this menu, pressing the reset button will clear the fault code history | |
| d11 | Overheat sensor reading | °C |
| d12 | Pump speed (0 = OFF, 1,2,3,4,5,6,7,8,9) | Speed level |
| d13 | Not used | |
| d14 | CH flow | l/h/100 |
| d15 | Fan speed during current operation | rpm/100 |
| d16 | Flue sensor reading | °C |

5.12 CONVERTING THE BOILER TO OPERATE ON LPG

All Eco² boilers are supplied from the factory set to run on Natural Gas (NG). The boiler can be installed and will operate on Liquid Petroleum Gas (LPG) without any modification however the gas type must be changed on the boiler parameters and a full calibration procedure conducted to ensure the boiler runs correctly and efficiently.

Following this conversion the new LPG gas data label supplied with the boiler accessory pack must be applied over the existing data label positioned on the underside of the boiler.

This process must be carried out by an approved Gas Safe registered engineer with the relevant certification for LPG.

Access the parameter menu by setting the DHW selector to 6 o'clock and the CH selector to 9 o'clock (see Fig. 5.4) then pressing the 'RESET' and 'Summer/Winter' buttons simultaneously for about 8 seconds.

Once the parameter menu is accessed there are five parameter groups (G, P, t, A, F) group G is required for the gas type selection. Group G is normally the first to be displayed, if not; press the 'Summer/Winter' button to scroll through to the required group. Now use the CH selector dial to change between gas types nG representing Natural Gas and LG for LPG. Once the required gas type is selected press the 'Reset' button to store '88' will appear on the screen to confirm the change has been made.

Exit the parameter menu by either pressing the 'RESET' and 'Summer/Winter' buttons simultaneously or waiting for 15 minutes to automatically exit.

The boiler will now display the code E62 indicating the gas type has been changed and that full calibration is now required. Follow the full calibration procedure in Section 5.13 to set the boiler combustion correctly.

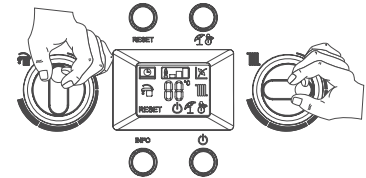


Fig. 5.4

5.13 CO₂ SET UP PROCEDURE

The air gas ratio of the boiler has been factory set and should not require adjusting during first commission. If adjustment is recommended or required the engineer must be competent to carry out this work.

Before starting this procedure please check the following:

- The front case is fitted.
- The flue system is not blocked or restricted and is to the correct specification.
- The gas supply working pressure is correct and the system has been purged.
- The condensate trap is pre-filled.

Full calibration procedure

Adjustment to the combustion is necessary when the following work is carried out;

- The boiler has been converted to operate with a different type of gas – see Section 5.12.
- A new PCB is fitted and the original PCB memory chip has not been retained. (**note:** the parameters may also require changing in this instance).
- A new burner is fitted.
- A new ignition/sensing electrode is fitted.

If changing parts in 3 and 4 above, full calibration is only required if the CO₂ values are incorrect following fast calibration and standard combustion check procedure.

To access the calibration mode, turn the DHW selector to 6 o'clock and the CH selector to 9 o'clock (see Fig. 5.4). Press the 'RESET' button for eight seconds until the parasol and snowman (☂ ☃) flash at the same time (chimney sweep mode), then press the 'Summer/Winter' (☀ ☁) button within three seconds to enter the setup menu. When in this setup menu the flue gas CO₂ levels can be adjusted at three different outputs levels, maximum DHW (99%), medium (45 to 61% pre-set) and minimum (00%) in order to fully calibrate the boiler.

At this stage the display shows flashing icons: 'summer', 'winter', 'standby' and the operating temperature alternating between the current heat output (99 = max. output). See Fig. 5.5.

The boiler will go through an initial lighting sequence and then stabilise at maximum output, then the border around the flame symbol will start to flash, (this process will take a few minutes).

With the border flashing press the reset button, a flashing ⚡ symbol will appear and the display will alternate between the operating temperature and the gas valve setting value. With a flue gas analyser connected to the correct sampling point, Press the 'Standby' button to increase the valve setting and decrease the CO₂, or press the 'INFO' button to decrease the valve setting and increase the CO₂. When the correct CO₂ level has been set, wait for the flame present symbol border to flash to confirm the adjustment and then press reset to store the setting.

Set the CO₂ values according to the values indicated in Section 2.1 for the correct boiler model.

To move to the medium CO₂ setting press the 'INFO' button and adjust (if required) using the same method as above. Press the 'INFO' button again to move on to the minimum setting and repeat the procedure.

If the flow temperatures are getting up to maximum operating temperature during the procedure it is possible to open a hot tap to lose the heat (combination boilers only). **Note:** Only open the hot tap after you have entered the calibration mode.

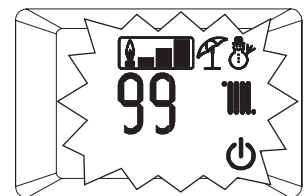


Fig. 5.5

When the settings have been correctly adjusted at the three output levels press the 'Summer/Winter' (☀️❄️) button to save and exit the calibration setup menu.

To exit the calibration menu without saving any new settings, press the 'RESET' button for 8 seconds or disconnect the boiler power supply.

Fast calibration

Fast calibration is a self-adjusting process carried out by the boiler if the following are relevant;

1. A new gas valve fitted.
2. A new fan fitted.
3. Long flue length (accompanied by f0 parameter adjustment).

To access the fast calibration mode, turn the DHW selector to 6 o'clock and the CH selector to 9 o'clock (see Fig. 5.4). Press the 'RESET' button for eight seconds until the parasol and snowman (☔️❄️) flash at the same time (chimney sweep mode), then press the 'INFO' button within three seconds. Once the function is active, the boiler sequentially carries out the procedure require to calibrate the appliance to the maximum, medium and minimum heat output values.

At this stage the display icons flash, 'summer', 'winter', 'stand-by', 'external sensor', 'solar sensor' and the operating temperature is displayed, alternating with the current operating heat output. See Fig. 5.6.

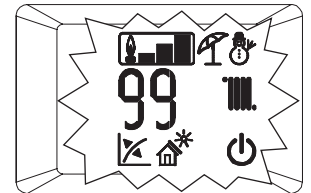


Fig. 5.6

The boiler will now operate for approximately five minutes at different output settings (max. med. min) automatically adjusting the gas valve to give the correct CO₂ settings. No intervention is required and the boiler will exit this function automatically when completed. If for any reason you wish to cancel this procedure and not store the settings, hold the 'RESET' button for eight seconds to exit the menu or switch off the power to the boiler.

If the flow temperatures are getting up to maximum operating temperature during the procedure it is possible to open a hot tap to lose the heat (combination boilers only).

5.14 PROGRAMMING THE PCB

The PCB defines the output and operating mode and the boiler. The correct operation and output of the appliance is defined according to the setting of parameters in menus 'n' and 'F'.

For this reason it is recommended not to alter the parameters of these menus in order not to compromise the correct operation of the boiler.

To activate the parameter menus the DHW selector must be set to 6 o'clock and the CH selector set to 9 o'clock positions (see Fig. 5.4), then press the 'RESET' and 'Summer/Winter' (☀️❄️) buttons simultaneously for 8 seconds. The screen will now display the parameter group and parameter number followed by the parameter value.

Once the programming mode has been accessed, scroll through the five groups (G, P, t, A, F) by pressing the 'Summer/Winter' button for 1 second.

Menu G is for the air-gas control settings with two sub-menus (n and S), relating to fan and gas valve control settings. Every time these parameters are altered, the full calibration procedure must be carried out. In order to access sub-menus 'n' and 'S' press the 'RESET' button sequentially. In order to exit this part of the menu and access other parameters press the 'Summer/Winter' button.

Once the parameter group is selected you can rotate the DHW selector to select the parameter that needs to be adjusted. To adjust the selected parameter value, rotate the CH selector until the required value is obtained, this will be indicated by a fast flashing of the new value. To confirm the new value press the (reset) until "88" is shown on the screen for 2 seconds followed by the parameter number and new setting flashing alternately on the screen. Once the new parameter values have been entered press the 'RESET' and 'Summer/Winter' buttons simultaneously for 4 seconds to exit the parameter menu or wait for 15 minutes.

| | |
|--------------------|--|
| Parameter G | Description – See section 5.12 for converting the gas type procedure |
| NG | Defines operation with Natural Gas |
| LG | Defines operation with LPG |

Note: When changed 'E62' will be displayed and full calibration is required.

| | |
|--|--|
| Parameter G , Sub-menu n | Description |
| 14 | Defines the boiler boiler as Eco ² Plus |

Note: Only use the parameter relating to the boiler installed. When changed 'E62' will be displayed and full calibration is required.

| | | | |
|---|---|------------------|------------------|
| Parameter G Sub-menu s | Fan Speed set values according to boiler model and 'F' parameter (flue setting) | | |
| | F parameter setting | | |
| | F = 0 | F = 1 | F = 2 |
| S0 (min. fan speed) | 14 (1400 rpm) | 14 (1425 rpm) | 14 (1450 rpm) |
| S1 (max. fan speed) | 61 (6100 rpm) | 63 (6350 rpm) | 64 (6400 rpm) |
| S2 (ignition fan speed) | 37 (3700 rpm) | 37 (3700 rpm) | 37 (3700 rpm) |

Note: These must be set to the correct values relating to the boiler installed. When changed 'E62' will be displayed and full calibration is required. See Section 5.13.

| Parameter | Feature | Description | Range | Default |
|-----------|----------------------------|--|----------|----------------------|
| P0 | DHW max. | The maximum output of the boiler during DHW production as a percentage of the maximum available output | 0 - 99 % | 99 % |
| P1 | Min. output DHW and CH | The minimum heat output of the boiler during DHW and CH production as a percentage of the available heat output | 0 - P2 | 0 % |
| P2 | Heating max. | The maximum output of the boiler during CH production as a percentage of the maximum available output | 0 - 99 % | 85 % (LPG) - 81 % |
| P3 | Relay 1 (optional) | Boiler functions/configurations when optional relay PCB is fitted 0 = Off 1 = Main zone control (with Climatic controller) 2 = General alarm 3 = CH phase active (external pump) 4 = External gas valve power supply 5 = Flow Smart enabled 6 = Diverter valve enabled 7 = When boiler pump active | 0 - 7 | 1 |
| P4 | Relay 2 (optional) | Boiler functions/configurations when optional relay PCB is fitted 0 = Off 1 = General alarm 2 = CH phase active (external pump) 3 = External gas valve power supply 4 = Secondary zone control (volt free switching across 57 & 58 on relay PCB contacts) 5 = Heat pump function with dedicated controls 6 = Alpha Trace heating cable enabled 7 = When boiler pump active | 0 - 7 | 6 |
| P5 | Relay 3 (optional) | Boiler functions/configurations when optional relay PCB is fitted 0 = Off 1 = Chiller remote activation (with Climatic controller) 2 = General alarm 3 = CH phase active (external pump) 4 = External gas valve power supply 5 = Heat pump function with dedicated controls 6 = Activation of storage tank pump 7 = Main zone control (with Climatic controller) 8 = Alpha Trace heating cable enabled 9 = When boiler pump active | 0 - 9 | 0 |
| P6 | Pump functioning | The pump can function in two ways. 0 Intermittent - In Winter mode the pump is managed by the room thermostat or by the remote control 1 Continuous - In Winter mode the pump is always on | 0 - 1 | 0 |
| P7 | External sensor correction | If the reading of the external sensor is incorrect it is possible to offset the reading. (Over the value of +9 the display shows 'CE', for external control connection only used with system supervisor connection) | -9 +9 °C | 0 |
| P8 | - | Not used on this boiler model | - | - |

| Parameter | Feature | Description | Range | Default |
|-----------|---|--|-----------------------------------|------------------|
| T0 | CH set point min. temperature | Defines the minimum flow temperature set point | 20 - 50 °C | 20 |
| T1 | CH set point max. temperature | Defines the maximum flow temperature set point | (t0 + 5) + 85 °C | 85 |
| T2 | DHW thermostat | Establishes the switch-off method in DHW mode at flow rates below the minimum modulation level 1 and 3 correlated - The boiler switches off according to the temperature set (this will cause cycling at low flow rate conditions) 0 and 2 fixed - The switch-off temperature is fixed at the maximum (65 °C) value regardless of the value set on the control panel | 0 - 3 | 2 |
| T3 | Solar delay timing | The boiler is set to switch-on immediately with a request for DHW. If a solar or other renewable cylinder is connected to pre-feed the boiler, it is possible to delay firing the boiler in order to allow the pre-heated water to reach the boiler | 0 - 30 seconds | 0 |
| T4 | DHW priority timing | This sets a time delay for the boiler to switch back to CH mode after a hot tap is closed | 0 - 100 seconds (10 sec steps) | 2 (20 secs) |
| T5 | CH ignitions timer | Adjustable anti-cycling period | 0 - 600 seconds (10 sec steps) | 18 (180 secs) |
| T6 | CH ramp timer | Adjustable time period for the burner to ramp up to maximum output in CH mode | 0 - 840 seconds (10 sec steps) | 18 (180 secs) |
| T7 | CH ignition delay from controls request | Ignition response adjustment, ie underfloor type systems with slow acting actuator valves will need a delay to prevent boiler overheating occurring | 0 - 600 seconds (10 sec steps) | 0 |
| T8 | Display lighting | Establishes the display lighting mode 0 Automatic - The display lights up during use and dims after 15 secs of inactivity. In the event of an anomaly the display flashes. 1 Low - The display is always lit with low intensity 2 High - The display is always lit with high intensity | 0 - 2 | 0 |
| T9 | Display information | 'Summer' mode 0 - No information is displayed 1 - DHW active, the display shows the flow temperature 'Winter' mode 0 - The display shows the set value of the CH selector 1 - CH or DHW active, the display shows the flow temperature and when not active the display shows the set value of the CH selector | 0 - 1 | 1 |
| A0 | Hydraulic model | Defines the type of hydraulics in the boiler 0 = Boiler flow switch 1 = Flow meter (not used on this model) 2 = System boiler (not used on this model) 3 = Boost - pre-heat function 4 = Flow meter and boost function | 0 - 4 | 0 |
| A1 | - | Not used on this boiler model | - | - |
| A2 | Pump model | Defines the type of pump in the boiler | Set 2 | 2 |
| A3 | Max. pump speed | Max. pump speed proportional to heat output | 1 - 9 | 9* |
| A4 | Min. pump speed | Min. speed setting *Should not be below 5 | 1 - A3 | 5* |
| A5 | Pump speed control | Defines the pump speed control mode | Set 0 | 0 |
| F0 | Equivalent flue length | Defines the length of the flue 0 = < 4.5 m 1 = 4.5 - 9.0 m 2 = > 9.0 m In the event of an alteration, anomaly 'E72' will be displayed and fast calibration is required. See Section 5.13. | 0 - 2 | 0 |
| F1 | - | Not used on this boiler model | - | - |

6 ROUTINE SERVICING

To ensure efficient operation of the boiler it is recommended that it is checked and serviced as necessary at regular intervals. The frequency of servicing will depend upon the particular installation conditions and usage, but in general once per year is required as a minimum.

It is the law that any service work must be carried out by a competent person, i.e. Gas Safe registered engineer.

Warning: Before servicing the boiler, isolate the electrical supply and close the boiler gas service cock. Allow the boiler to cool. Always test for gas tightness after servicing any gas carrying components.

Always carry out electrical system checks i.e. Earth Continuity, Resistance to Earth, Short Circuit and Polarity with a suitable meter before and after servicing.

General

Please Note: During routine servicing, and after any maintenance or change of part of the combustion circuit, the following must be checked:

1. The integrity of the flue system and the flue seals, as described in Section 4.6 and 4.7.
2. The integrity of the boiler combustion circuit and relevant seals.
3. The operational (working) gas inlet pressure at maximum rate, as described in Section 5.7.
4. The combustion performance, as described below and in Section 5.7.
5. The air flow through the heat exchanger as described in Section 5.4.

Competence to carry out the check of combustion performance

Please Note: BS 6798:2009 Specification for installation and maintenance of gas-fired boilers of rated input not exceeding 70 kW net advises that:

1. The person carrying out a combustion measurement should have been assessed as competent in the use of a flue analyser and the interpretation of the results.
2. The flue gas analyser used should be one meeting the requirements of BS 7927 or BS-EN 50379-3 and be calibrated in accordance with the analyser manufacturers' requirements.
3. Competence can be demonstrated by satisfactory completion of the CPA1ACS assessment, which covers the use of electronic portable combustion gas analysers in accordance with BS 7967, Parts 1 to 4.

Combustion check

Connect the flue gas analyser to the flue gas sampling point as shown in Fig. 5.3.

Notes: 1. Prior to servicing, it is recommended that a flue gas analyser is used to measure the performance of the boiler (refer to Fig. 5.3 for the position of the flue sampling point). Refer to Section 5.7 Checking combustion. If the CO/CO₂ ratio measured is greater than 0.003 **or** when other checks or comments from the customer have indicated that there may be problems, check the following:

Any flue gas recirculation in the flue system or boiler casing.

Any restrictions or blockages in the flue system.

The gas supply pressure and gas rate are correct.

If these are correct then cleaning of the burner and checking the electrode will be necessary. All Sections 6.1, 6.2, 6.3 and 6.4 **must** be carried out. After reassembling the boiler carry out a full calibration procedure (refer to Section 5.13). Repeat the flue gas analyser test and check that the CO/CO₂ ratio is less than 0.003.

If the CO/CO₂ ratio reading is still above 0.003, check again for flue gas recirculation, flue restrictions or blockage and insufficient gas supply pressure. If correct, repeat the procedure above (including full calibration) until you obtain a ratio reading of below 0.003.

If the combustion reading is greater than the acceptable value AND the integrity of the complete flue system and combustion circuit seals have been verified and the inlet gas pressure (and gas rate) have been verified. Please call our Technical Helpline.

2. If the CO/CO₂ ratio measured is less than 0.003 and other checks and comments from the customer suggest there are no problems then only Section 6.1 and Section 6.3 paragraphs 1, 2 and 3 need to be carried out to allow a visual check of the components within the room sealed chamber.

6.1 IMPORTANT NOTES PRIOR TO SERVICING

1. Check the entire flue length and joints including the flue terminal outside. Ensure that all of the flue assembly has been installed correctly and there are no blockages.
2. Run the boiler and check the operation of its controls.
3. Ensure that all system connections and fittings are sound. Remake any joints and check the tightness of any fittings that may be leaking.

- Refill, vent and re-pressurise the system as necessary. (Refer to Commissioning, Section 5.1).
If the system pressure exceeds 2.5 bar when operating at maximum temperature, the heating expansion vessel should be checked and re-pressurised, if necessary.

Note: 1. Check the expansion vessel charge only when the system pressure is zero.

2. The expansion vessel pressure test point is accessible from on top at the top left side.

- Check that the condensate trap drain pipe is connected and all joints are sound.
- Check the air flow through the heat exchanger as described in Section 5.4.
- Record details of the service in the Service Record at the back of these instructions.

6.2 CASING REMOVAL - Figs. 6.1, 6.2, 6.3 and 6.4

To facilitate boiler servicing and maintenance the casing can be completely removed as follows:

Control panel cover - Fig. 6.1

- Remove the two screw cover plugs 'A' and remove the screws 'B'.
- Pull the front panel 'C' towards you and release it from its lower fixing.

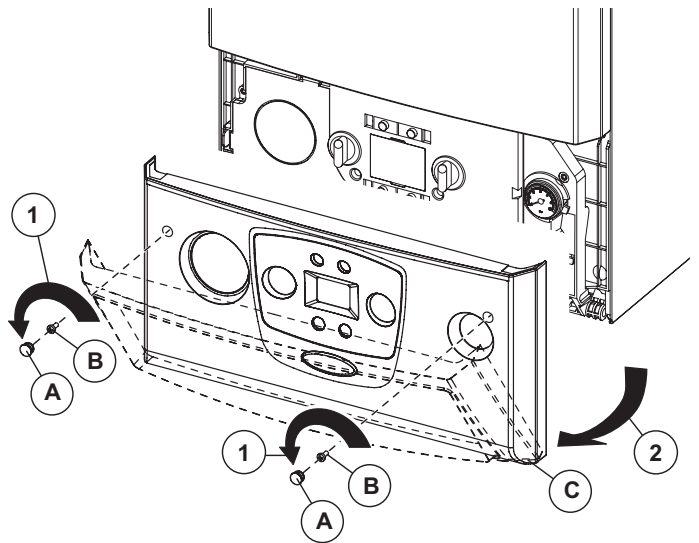


Fig. 6.1

Case front panel - Fig. 6.2

- Loosen the two screws 'D'.
- Pull the front panel 'E' slightly towards you.
- Release front 'E' from pins 'F' pulling it towards you while pushing it upwards at the same time.

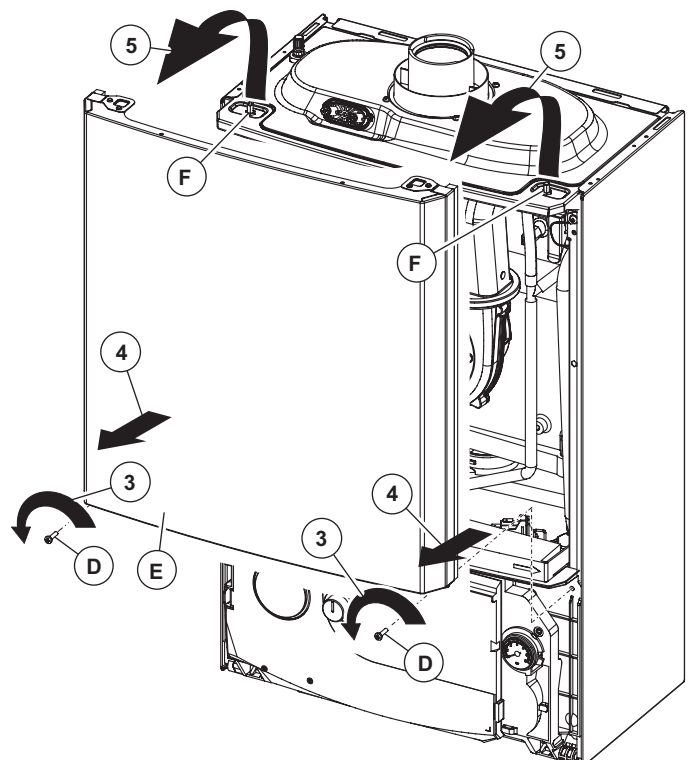


Fig. 6.2

Control panel - Fig. 6.3

6. Press the hooks on the side of the control panel (G).
7. Tilt the control panel (G) towards you.

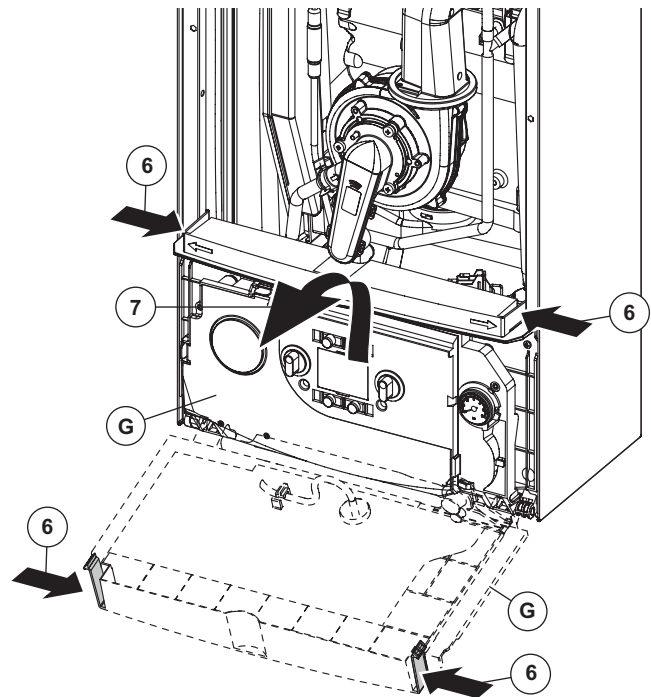


Fig. 6.3

Side panels - Fig. 6.4

8. Remove the screws 'H' securing the side panel 'I'. Lift the side panel and pull it forwards unhooking it from the rear panel (view 'A' in Fig. 6.4) Lower the panel out and away from the top cover.

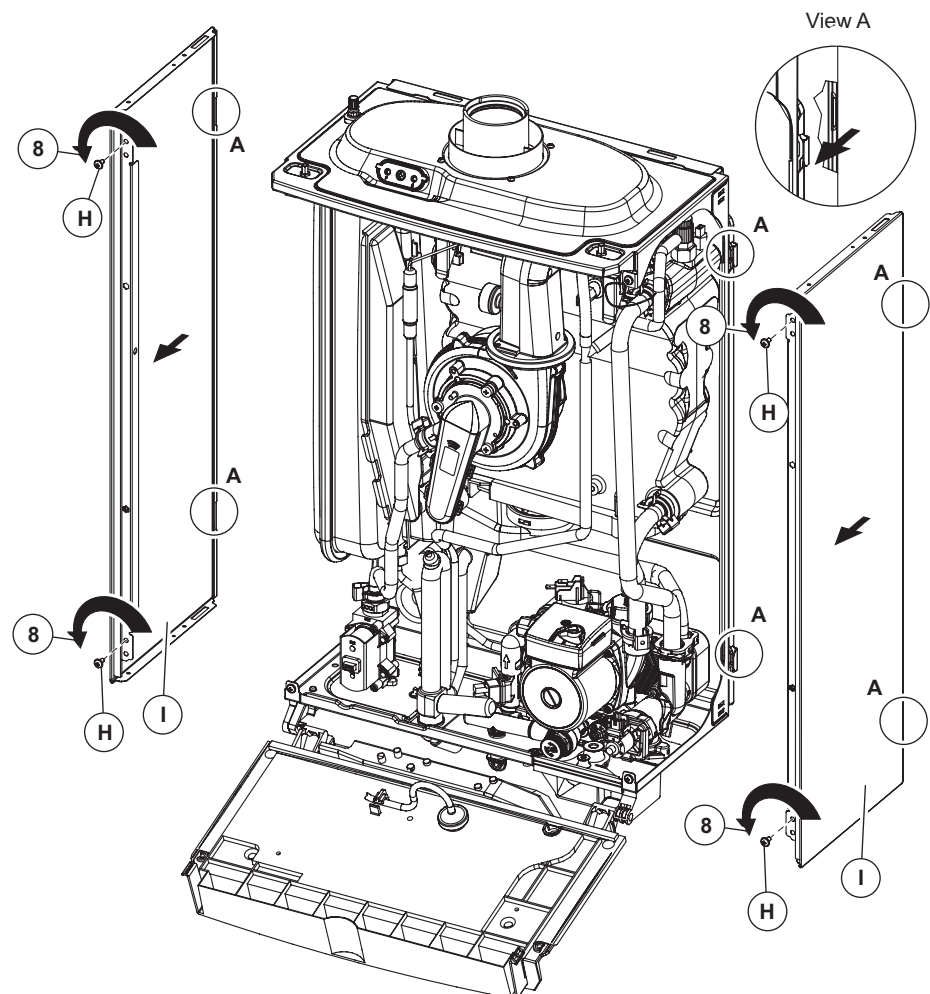


Fig. 6.4

6.3 PREPARE FOR SERVICING - Fig. 6.5

1. Ensure the electrical supply is isolated and the gas supply is off.
2. Gain access by removing the control panel cover, case front panel and lowering the control panel as described in Section 6.2.
3. Remove the condensate trap assembly as described in Section 7.1.1.
4. Remove the electrode as described in Section 7.3 and check its condition.
5. Remove the three screws securing the fan air/gas manifold and remove the two spring clips at either end of the gas pipe, removing the pipe and manifold together.
6. Unscrew the flue sampling point cap and remove the complete fitting from the top of the case.
7. Disconnect the flue sensor wires and remove the lower retaining screw on the flue manifold assembly.
8. Pull down the flue manifold assembly and withdraw the complete assembly.
9. Disconnect the fan wire.
10. Unlatch the two clips 'A' in Fig. 6.5 securing the fan and burner cover and remove the complete assembly.
11. Disconnect the earth wire from the burner and lift the burner out of the heat exchanger.

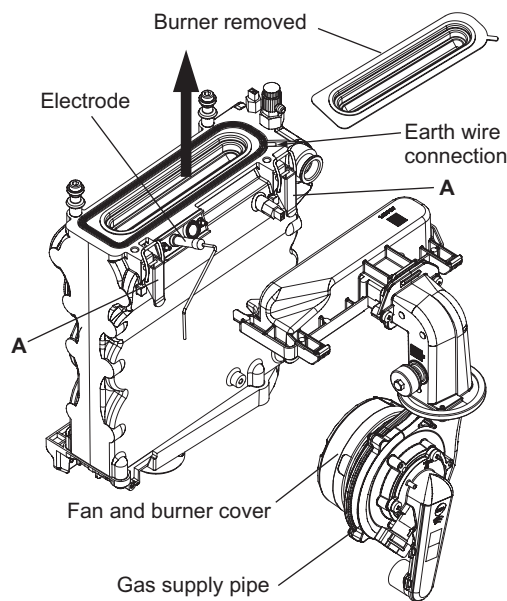


Fig. 6.5

6.4 CLEANING THE ELECTRODE AND BURNER

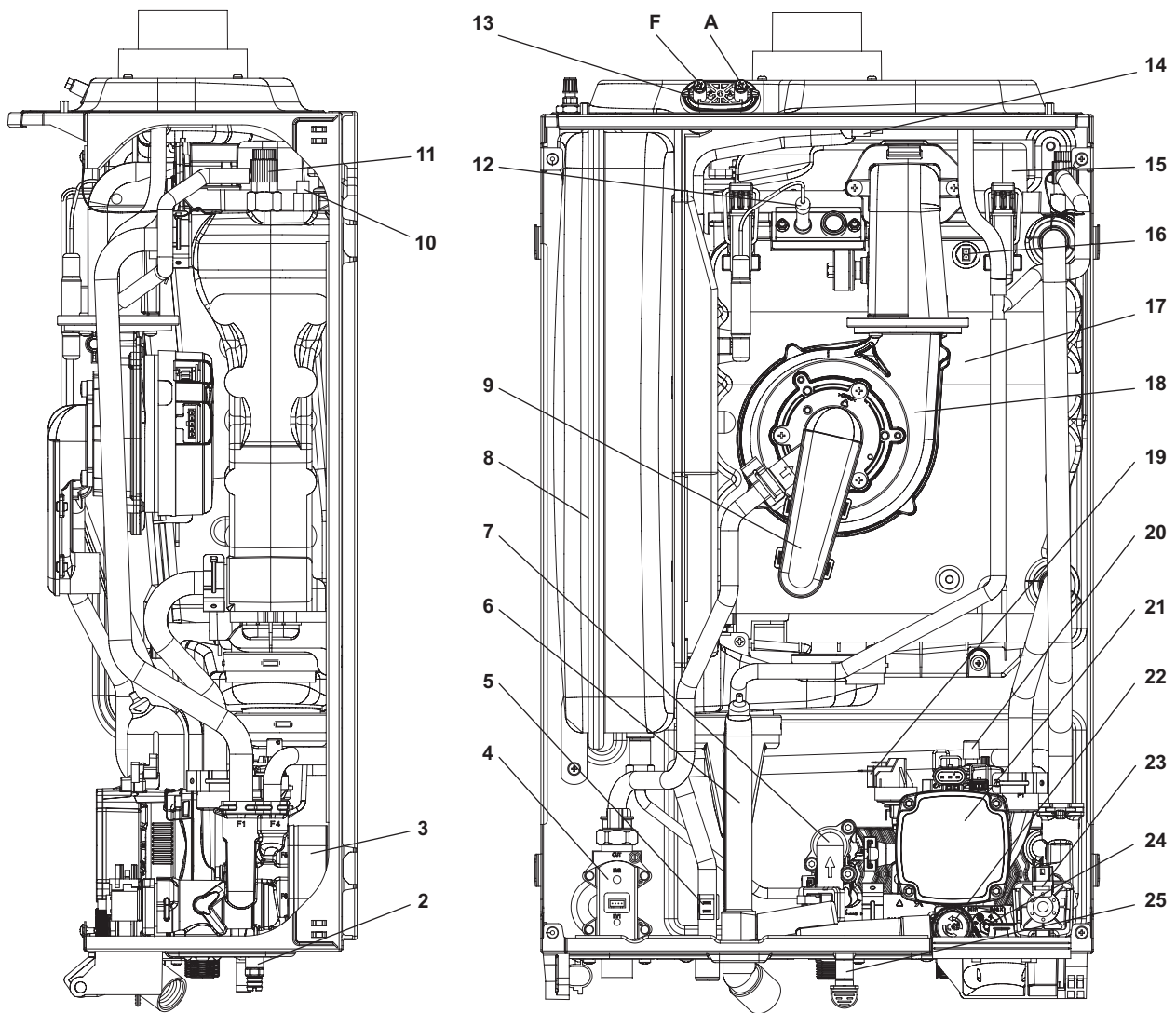
1. Check the condition of the burner, using vacuum carefully clean the side not exposed to the flame (do not use compressed air or a brush). Do not clean the side exposed to the flame, it can easily be damaged.
2. Remove the electrode and check its condition.
If it is in good condition, remove any oxide deposits using a fine abrasive paper. Replace it in the heat exchanger using a new gasket.
If it is necessary to replace the electrode ensure a new gasket is used and connect the lead to the PCB through the grommet in the rear of the control panel.

6.5 CLEANING THE HEAT EXCHANGER

Cleaning the heat exchanger is only necessary if the air flow test pressure has reduced by more than 40% as described in Section 5.4.

Gain access and drain the boiler heating circuit as described in Sections 7.1 and 7.2.

1. Remove the condensate trap assembly as described in Section 7.1.1.
2. Remove the electrode as described in Section 7.3 and check its condition.
3. Remove the three screws securing the fan air/gas manifold and remove the two spring clips at either end of the gas pipe, removing the pipe and manifold together.
4. Unscrew the flue sampling point cap and remove the complete fitting from the top of the case.
5. Disconnect the flue sensor wires and remove the lower retaining screw on the flue manifold assembly.
6. Pull down the flue manifold assembly and withdraw the complete assembly.



- | | | | |
|----|--------------------------------|----|----------------------------------|
| 1 | N/A | 14 | Flue temperature sensor |
| 2 | Boiler drain point | 15 | Burner cover |
| 3 | DHW heat exchanger | 16 | Overheat thermostat |
| 4 | Gas valve | 17 | Primary heat exchanger |
| 5 | DHW temperature sensor | 18 | Fan |
| 6 | Condensate trap | 19 | Primary pressure switch |
| 7 | DHW flow switch | 20 | Automatic air vent |
| 8 | System expansion vessel | 21 | Boiler pump |
| 9 | Air / gas mixer | 22 | Safety valve (3 bar) |
| 10 | Primary temperature sensor | 23 | 3-way valve (motorised) |
| 11 | Manual air vent valve | 24 | By-pass |
| 12 | Ignition / sensing electrode | 25 | Safety valve operation indicator |
| 13 | Test points (air A) - (flue F) | | |

Fig. 6.6

7. Unplug the primary sensor and fan wires.
8. Unlatch the two clips 'A' in Fig. 6.5 securing the fan and burner cover and remove the complete assembly.
9. Disconnect the earth wire from the burner and lift the burner out of the heat exchanger.
10. Remove the retaining clips from the flow and return pipes at the heat exchanger and hydro block housing and remove the pipes.
11. Remove the two screws securing the bottom rear of the heat exchanger to the condensate sump.
12. Lift the heat exchanger up and forwards to release it from its fixing bracket and withdraw it from the boiler.
13. Remove the four screws securing the condensate sump to the heat exchanger and remove it.
14. With the correct cleaning tool, clean the heat exchanger, inserting the tool in the bottom of the heat exchanger between the pins in both directions to remove any deposits.
15. After cleaning, flush the heat exchanger from both sides with running water in order to remove any residue,
16. Reassemble in reverse order.

Note: The following items must be replaced with new ones:

 - Burner seal
 - Condensate tray seal
 - Heating flow and return pipes 'O' rings
 - Electrode gasket if removed
17. Check again the air flow through the heat exchanger as described in Section 5.4, recording the new pressure value and complete the service record at the back of these instructions,

6.6 RE-ASSEMBLE THE BOILER

1. Replace the burner seal ensuring it is located correctly around the burner edge.
2. Replace the burner ensuring it is located correctly in the heat exchanger and re-connect the earth wire.
3. Replace the burner cover and fan assembly securing with the two latches then re-connect the fan wire.
4. Replace the flue manifold assembly and secure to the condensate tray with the fixing screw. Re-connect the flue sensor wire.
5. Replace the flue sampling point connection to the boiler casing and flue manifold assembly using the foam seal previously removed. Replace the flue sampling point cap and secure it with the screw previously removed.
6. Replace the air/gas manifold to the fan (using the 'O' ring previously removed).
7. Replace the condensate trap and connection hoses. Partially fill the trap before replacing.
8. Check all the connections are sound and re-commission, Sections 5.3 and 5.8.
9. Raise the control panel and clip into place.
10. Place the front case panel in position and secure with the two screws previously removed.
11. Refit the control panel cover and secure in position with the two screws and cover plugs.
12. Carry out a full calibration procedure (refer to Section 5.13) if the burner and electrode have been cleaned or replaced.
13. Check the operation of the boiler. (Refer to Sections 5.5 and 5.6).
14. Return all controls to their original settings.

7 COMPONENT REPLACEMENT

To ensure correct and safe operation of the appliance, it is essential that any worn or failed components are replaced with only genuine Alpha spare parts. Use of non-genuine Alpha spares could invalidate your warranty and may pose a potential safety hazard.

It is the law that any service work must be carried out by a competent person, i.e. Gas Safe registered boiler engineer.

Warning: Before replacing any boiler components, isolate the electrical supply and close the boiler gas service cock. Allow the boiler to cool.

Always test for gas tightness before and after replacing any gas carrying components or disturbing any gas connections.

Always carry out electrical system checks i.e. Earth Continuity, Resistance to Earth, Short Circuit and Polarity with a suitable meter after servicing.

Check the operation of the boiler. (Refer to Sections 5.5 and 5.6).

Ensure that all the controls are returned to their original settings.

7.1 GENERAL ACCESS

Ensure the electrical supply is isolated and the gas supply is off.

Gain access by removing the control panel cover, case front panel and lowering the control panel as described in Section 6.2.

7.2 DRAINING THE BOILER - Figs. 2.2 and 4.4

Isolate the electricity supply and close the boiler gas service cock, see Fig. 4.4. Allow the boiler to cool.

Heating circuit

1. Close the central heating flow and return valves, see Fig. 4.4.
2. Connect a suitable pipe to the drain point, see Figs. 4.4 and 6.7 and route it to a suitable container. Open the drain point.

Hot water circuit

1. Close the mains water inlet valve, see Fig. 4.4.
2. Open all hot taps to allow as much draining of the boiler as possible.

Note: Some water will remain in the components and care must be taken when removing them.

7.3 IGNITION AND SENSING ELECTRODE - Fig. 6.7

Gain access as described in Section 7.1.

1. Unhook the ignition lead from the rear of the control panel, release the grommet and unplug the lead from the PCB.
2. Remove the two nuts securing the electrode to the front of the combustion chamber using an 8 mm socket and carefully withdraw the electrode.
3. Fit the new electrode with a new gasket and re-assemble in reverse order.
4. Test the boiler and carry out the full calibration as described in Section 5.13.

7.4 MAIN BURNER

1. Remove the burner as described in Routine Servicing, Section 6.3.
2. Re-assemble with a new burner as described in Routine Servicing, Section 6.5.
3. Test the boiler and carry out the full calibration as described in Section 5.13.

7.5 FAN - Fig. 6.7

Gain access as described in Section 7.1.

1. Remove the gas pipe to air/gas manifold retaining clip and unplug the fan wire from the fan.
2. Remove the fan inlet manifold to burner cover screws and lift the fan assembly upwards to unhook it from the gas pipe.
3. Remove the three venturi screws and transfer the venturi and seal to the new fan.
4. Remove the two fan inlet manifold screws and transfer the manifold and seal to the new fan.
5. Re-assemble in reverse order.
6. Test the boiler as described in Routine Servicing and carry out the fast calibration as described in Section 5.13.

7.6 FLUE TEMPERATURE SENSOR - Fig. 6.7

Gain access as described in Section 7.1.

1. Unplug the wire from the flue sensor.
2. Using a 13 mm spanner, unscrew the sensor from the flue outlet manifold.
3. Fit the new sensor and re-assemble in reverse order. Do not overtighten.

7.7 FUSE - Fig. 7.1

The fuse is located on the PCB.

1. Gain access to the PCB as described in Section 7.8.
2. Lift out and remove the fuse. Fit a 3.15 AF fuse as a replacement.
3. Re-assemble in reverse order.

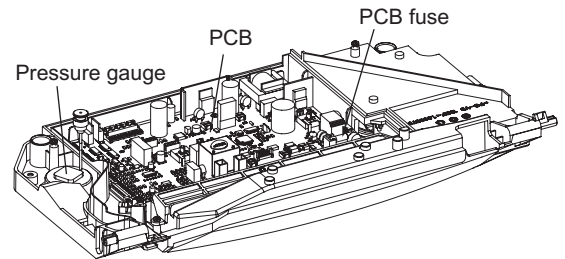


Fig. 7.1

7.8 PCB - Fig. 7.1

Note: The replacement of the gas valve or PCB must be carried out by a Gas Safe registered engineer with the use of a flue analyser.

Gain access as described in Section 7.1.

1. Unhook the ignition lead from the rear of the control panel, release the grommet and unplug the lead from the PCB.
2. Remove the three retaining screws in the PCB cover and remove cover. See Fig. 7.2.
3. Remove the PCB retaining screws.
4. Release the retaining clips, lift the PCB from the control panel and unplug the wire connections.
5. To maintain the boiler parameter setting, remove the memory chip from the removed PCB and insert into the new PCB.
6. Re-assemble in reverse order. Refer to the wiring diagram in Section 8.1 for connections. When replacing the cover, ensure no wires are trapped and all wiring is secured. Secure with three screws - do not over tighten.
7. Test the boiler and carry out the fast calibration as described in Section 5.13.

Note; If the original PCB memory chip is not used in the new PCB the boiler parameters will need to be set and full calibration procedure is required.

7.9 GAS VALVE – BURNER INJECTOR

Note: The replacement of the gas valve or PCB must be carried out by a Gas Safe registered engineer with the use of a flue analyser.

Isolate the boiler gas supply and gain access as described in Section 7.1.

1. Disconnect the electrical plug from the gas valve.
2. Remove the gas pipe retaining clip from the top of the gas valve and remove the pipe.
3. Disconnect the gas valve union beneath the boiler.
4. Remove the two screws from beneath the boiler and lift out the valve assembly.
5. Unscrew the injector from the top of the gas valve and transfer the injector to the new gas valve using a new washer.
6. Fit the new assembly and re-assemble in reverse order and test for gas tightness.
7. Light the boiler. (Refer to Commissioning, Section 5.4).
8. Test the boiler and carry out the fast calibration as described in Section 5.13.

7.10 DHW TEMPERATURE SENSOR - Fig. 7.2

Gain access as described in Section 7.1.

1. The DHW sensor is positioned in the hot water outlet pipe to the left of the flow switch, see Fig. 7.2. Unplug the two connections and unclip the sensor from the pipe.
2. Re-assemble in reverse order with a new sensor.

7.11 CONDENSATE TRAP - Figs. 6.7 and 7.2

Gain access as described in Section 7.1.

Note: Before removing the trap, ensure that the water from the trap can be contained to avoid spillage.

1. Pull the flue drain hose off the top of the condensate trap, cut the cable tie and pull the rubber condensate hose adapter out of the bottom of the boiler.
The cable tie is only to secure the adaptor during transit and installation, it is not required after removal.
2. Remove the trap fixing screw from the bottom of the boiler and turn the trap to the left to disconnect it from the expansion valve outlet pipe.
3. Rotate the trap in a slight backwards motion to disconnect it from the flue manifold, being careful not to spill any condensate water, remove the trap from the boiler.
4. It is important to clean the trap every time the trap is removed to flush out any deposits from the collection bowl.
Note: Partially fill the trap before replacing.

7.12 DHW FLOW SWITCH - Fig. 7.2

1. Gain access behind the front casing as described in Section 7.1.
2. Isolate the mains water supply and open all hot taps to drain any water from the boiler.
3. Disconnect the wires from the switch.
4. Undo the union nut and remove the fixing screw from the bottom of the switch.
5. Remove the two 4 mm cap head screws securing the top and lift out the switch.
6. Fit the new switch and re-assemble in reverse order.

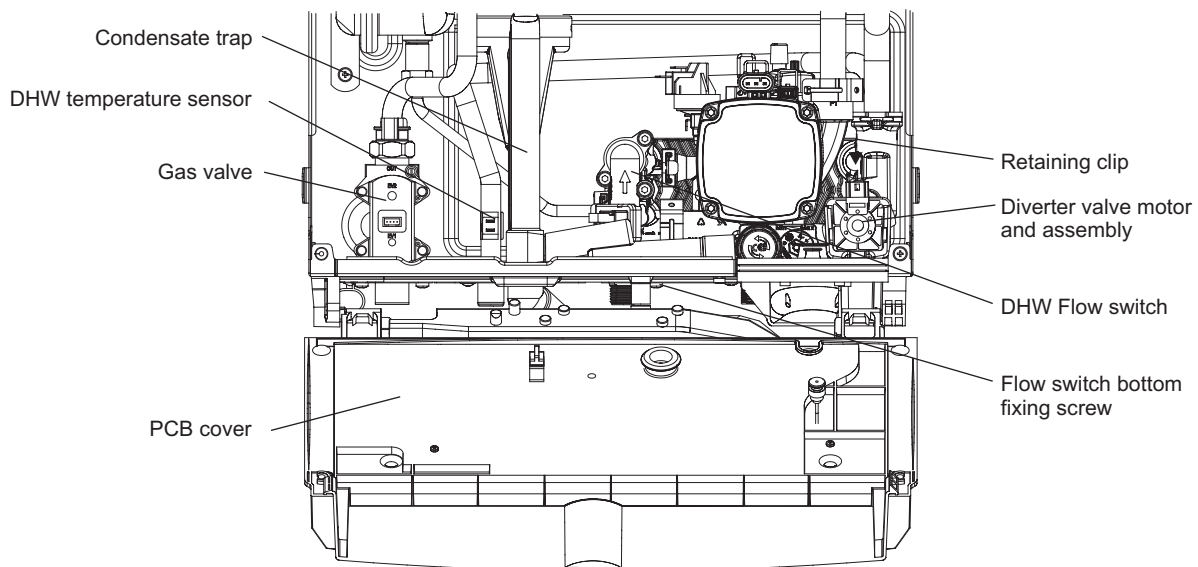


Fig. 7.2

7.13 PRIMARY HEAT EXCHANGER - Fig. 6.7

Gain access and drain the boiler heating circuit as described in Sections 7.1 and 7.2.

1. Remove the condensate trap assembly as described in Section 7.11.
2. Remove the electrode as described in Section 7.3 and check its condition.
3. Remove the three screws securing the fan air/gas manifold and remove the two spring clips at either end of the gas pipe, removing the pipe and manifold together.
4. Unscrew the flue sampling point cap and remove the complete fitting from the top of the case.
5. Disconnect the flue sensor wires and remove the lower retaining screw on the flue manifold assembly.
6. Pull down the flue manifold assembly and withdraw the complete assembly.
7. Disconnect the primary sensor and fan wires.
8. Unlatch the two clips 'A' in Fig. 6.5 securing the fan and burner cover and remove the complete assembly.
9. Disconnect the earth wire from the burner and lift the burner out of the heat exchanger.
10. Remove the retaining clips from the flow and return pipes at the heat exchanger and water manifold and remove the pipes.
11. Remove the two screws securing the bottom rear of the heat exchanger to the condensate sump.

12. Lift the heat exchanger up and forwards to release it from its fixing bracket and withdraw it from the boiler.
13. Transfer the condensate tray, the electrode previously removed, sensors, retaining latches ('A' in Fig. 6.5) to the new heat exchanger using new seals
14. Reassemble in reverse order.

Note: The following items must be replaced with new ones:

 - Burner seal
 - Condensate tray seal
 - Heating flow and return pipes 'O' rings
 - Electrode gasket

Check the condition of all other seals before reassembling.
15. Check again the air flow through the heat exchanger as described in Section 5.4, recording the new pressure value and complete the service record at the back of these instructions,

7.14 PRESSURE GAUGE - Fig. 7.1

Gain access to the boiler as described in Sections 7.1 and 7.2.

1. Withdraw the retaining clip securing the pressure gauge sensor (just to the left of the automatic air vent) and withdraw the sensor.
2. Remove the main cable grommet in the bottom panel and remove the sensor tube.
5. Depress the two lugs on the pressure gauge and pull it out of the control panel.
4. Fit the new gauge using a new 'O' ring on the connection if necessary.
5. Refill and pressurise the system. (Refer to Commissioning, Section 5.1).

7.15 PRIMARY TEMPERATURE SENSOR and OVERHEAT THERMOSTAT - Fig. 6.7

Gain access and drain the boiler heating circuit as described in Sections 7.1.

1. Unplug the wiring and unscrew the sensor. Re-assemble in reverse order with a new sensor. Do not overtighten.
2. Refill and pressurise the system. (Refer to Commissioning, Section 5.1).

7.16 AUTOMATIC AIR VENT - Fig. 6.7

Gain access and drain the boiler heating circuit as described in Sections 7.1 and 7.2.

1. Turn the automatic air vent anticlockwise and lift it out.
2. Insert the new air vent using a new washer and turn it clockwise to lock it in position.
3. Refill and pressurise the system. (Refer to Commissioning, Section 5.1).

7.17 PUMP HEAD - Fig. 6.7

Gain access and drain the boiler heating circuit as described in Sections 7.1 and 7.2.

1. Disconnect the two plugs from the pump.
2. Using a 4 mm Allen key remove the four socket head screws securing the pump head to the body.
3. Reassemble the new pump head in reverse order ensuring, re-connecting the two plugs.
4. Refill and pressurise the system. (Refer to Commissioning, Section 5.1).

7.18 PRIMARY PRESSURE SWITCH - Fig. 6.7

Gain access and drain the boiler heating circuit as described in Sections 7.1 and 7.2.

1. Disconnect the wiring from the pressure switch.
2. Withdraw the retaining clip on the left side of the switch and lift the switch upwards to remove.
3. Insert a new switch and re-assemble in reverse order.

When connecting the wiring to the new switch the polarity of the wires is not important.

7.19 SAFETY VALVE - Fig. 6.7

Gain access and drain the boiler heating circuit as described in Sections 7.1 and 7.2.

1. Disconnect the clear plastic tube from the pressure relief valve.
2. Remove the retaining clip securing the expansion relief valve and pull the valve forwards to remove.
3. Re-assemble in reverse order.
4. Refill and pressurise the system. (Refer to Commissioning, Section 5.1).

7.20 DHW HEAT EXCHANGER - Fig. 6.7

Gain access and drain the boiler heating and hot water circuits as described in Sections 7.1 and 7.2.

1. Remove condensate trap as in Section 7.11.
2. Remove diverter valve motor as in Section 7.21.
3. Using a 4 mm Allen key remove the two bolts securing the Plate heat exchanger to the hydro block assembly.
4. Slide the heat exchanger to the left hand corner of the boiler and rotate it forwards from its right hand side through the centre of the boiler to remove.
5. Remove and replace the seals in the back of the hydro block housing.
6. Replace in reverse order making sure that the printed writing on the heat exchanger is at the top.

7.21 DIVERTER VALVE MOTOR - Fig. 7.2

Switch the boiler to Standby (⏻).

Gain access as described in Sections 7.1.

2. Push the clip on the plug and pull the plug from the diverter motor.
3. Lift the motor upwards and forwards to remove from the valve body.
4. Re-assemble in reverse order with a new motor.

7.22 DIVERTER VALVE CARTRIDGE - Fig. 7.2

Gain access and drain the boiler heating circuit as described in Sections 7.1 and 7.2.

1. Remove the diverter valve motor as described in Section 7.21.
2. Using the supplied tool and a suitable spanner turn the diverter valve cartridge anticlockwise until its retaining lugs hit the stops.
3. Withdraw the cartridge taking care not to spill any water onto any electrical components.
4. Insert the new cartridge with the locating lug at the top and push firmly into place. Using the supplied tool and a suitable spanner turn the cartridge clockwise until the retaining lugs are locked into position.
5. Pull the diverter pin fully out into the CH position and connect the diverter motor as in Section 7.21.
6. Refill and pressurise the system. (Refer to Commissioning, Section 5.1).

7.23 EXPANSION VESSEL - Fig. 6.7

Note: Check that the pressure of the new vessel is 1 bar before it is installed.

Gain access and drain the boiler heating circuit as described in Sections 7.1 and 7.2.

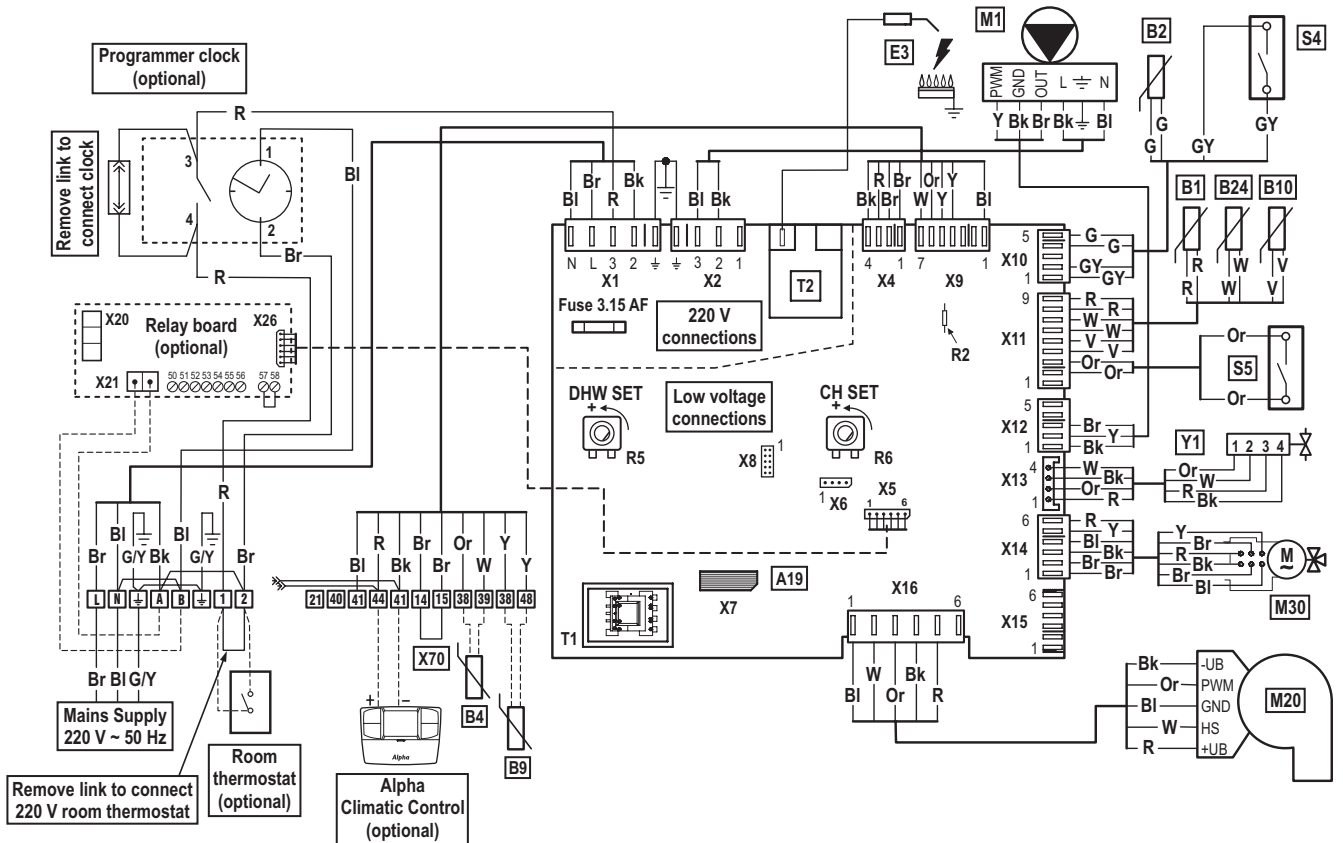
1. Remove the top side panel fixing screw.
2. Disconnect the copper pipe from the bottom of the vessel.
3. Remove the top fixing nut from the air valve.
4. Remove the bottom fixing screw and withdraw the vessel taking care not to spill any water into other boiler components.
5. Re-assemble in reverse order.
6. Refill and pressurise the system. (Refer to Commissioning, Section 5.1).

7.24 ALPHA CONTROLS (if fitted)

Refer to section 4.11 on the connection options for boiler controls.

8 WIRING DIAGRAM

8.1 ILLUSTRATED WIRING DIAGRAM



When an Alpha Climatic control is connected to terminals 41 and 44 remove the links between terminal blocks 1 and 2

Colour Code

- Bk Black
- Bl Blue
- Br Brown
- G Green
- Gy Grey
- G/Y Green/Yellow
- Or Orange
- R Red
- V Violet
- W White
- Y Yellow

Component identification

- A19 Removable memory
- B1 Flow sensor
- B2 DHW sensor
- B4 External sensor (optional)
- B9 DHW inlet sensor (optional)
- B10 Flue sensor
- B24 Flow safety sensor
- E3 Ignition and detection electrode
- M1 Boiler pump
- M20 Fan
- M30 3-way valve motor
- S4 DHW flow switch
- S5 System pressure switch
- T1 Transformer
- T2 Ignition unit
- X70 Safety thermostat low temperature jumper
- Y1 Gas valve

9 ERROR CODES AND FAULT FINDING

9.1 CARRY OUT INITIAL FAULT FINDING CHECKS

In the event of a suspected functional fault with the boiler, carry out initial fault finding checks to establish the cause.

1. Check the correct gas, electrical and water supplies are available at the boiler.
2. Check the boiler system pressure is in the green area of the boiler pressure gauge.
3. Check that any boiler controls fitted are working and in an 'ON' position.
4. Carry out electrical supply and connection checks and check all fuses.

Where an error code is displayed use the following tables to identify the fault and possible causes.

9.2 ERROR CODES AND FAULT FINDING

If any fault or anomaly persists, contact Alpha Heating Innovation Technical Helpline.

The history of errors can be viewed in the 'INFO' menu - d9

| Error code | Fault | Fault description | Possible causes |
|----------------|--|---|---|
| 01 | Ignition failure | Flame not detected during ignition sequence | Gas supply Check ignition/sensing electrode Ignition generator or lead Gas valve operation Check PCB and wire connections Flue restriction or blockage |
| 02 | Overheat boiler lock out | Overheat sensor has activated | Pump or restricted flow problem Blocked heat exchanger Air in heat exchanger |
| 03 | High flue temperature | Flue sensor intervention (flue temperature too high) | Blocked or restricted primary flow Heat exchanger air flow blocked Flue restriction Flue sensor fault Air in primary heat exchanger |
| 04 | Gas valve electrical connection fault | Gas valve wiring circuit fault detected | Gas valve lead connection fault Faulty gas valve Faulty PCB |
| 05 | CH flow sensor fault | Incorrect flow sensor resistance value | Flow sensor wire connections or sensor faulty |
| 06 | DHW sensor fault | DHW sensor resistance value is incorrect | DHW sensor wiring connection or sensor faulty |
| 08 | Max. number of resets | Maximum number of resets reached (5) | Refer to fault history codes (INFO menu d9) |
| 10 | Primary system pressure low | Primary pressure switch has operated | Check expansion vessel pressure (1 bar) Leak in system Expansion relief valve operated Primary pressure switch |
| 12 15 23 | Incorrect configuration | Incorrect hydraulic configuration There is an inconsistency between the settings and signals received from the PCB | Check the settings of the 'A' family parameters |
| 16 | Fan fault | Fan wiring fault or fan faulty | Check fan wiring connections Fan fault PCB fault |
| 20 | Flame sensing fault | False flame detection Flame detected but gas valve is not open | Check flame sensing electrode and lead Electrical short circuit on sensing wires PCB fault |
| 24 | Control panel button fault | Control panel button stuck in the on position | Check for jammed control panel buttons Check for jammed PCB buttons |
| 29 | Flue sensor fault | Flue sensor resistance out of range | Check sensor wiring and connections Check sensor resistance |
| 31 | Loss of communication with external control (Alpha Climatic) | Loss of connection between the boiler and Alpha Climatic control unit | Remote control or receiver connection wiring Distance or interference of RF signal Remote control or receiver fault (Check batteries if using RF controller) |

| Error code | Fault | Fault description | Possible causes |
|-------------------|--|---|---|
| 36 | BUS connection fault | Not used on this model | |
| 37 | Low supply voltage | Insufficient supply voltage to operate boiler | Check mains power supply Check for bad cable connections etc |
| 38 | Loss of flame rectification | Flame detected but signal lost. Ignition retries after fan purge | Check flame sensing electrode and lead Check for flue gas recirculation Check the gas valve Check flue system and termination Check gas supply/working pressure Check/adjust combustion settings |
| 43 | Loss of flame rectification | Repeated loss of flame signal during operation This fault can occur if the flue is exposed to high wind conditions (shown as E38 in the fault code history in the INFO menu) | Check as above for error code 38 |
| 44 | Safety lock out Low supply voltage | The boiler has attempted to fire repeatedly for the maximum time limit | Check external control (room thermostat) requests Rapid on/off tap requests |
| 46 | Optional external safety sensor intervention | No continuity on external sensor circuit Check link is present in external connections 14 and 15 or if fitted external safety device has activated | Check external sensor and cable are not damaged or wet Check continuity of external sensor and circuit Check connections 14 and 15 on connection panel |
| 47 | Reduced burner output | Flue thermostat has sensed high flue gas temperature (110°C) and reduced the burner output to prevent damage. If the temperature continues to rise the boiler will lock out and E03 will be displayed | Air in heat exchanger Restricted primary flow Heat exchanger air flow blocked Flue restriction Flue sensor fault Pump fault |
| 51 | Climatic RF communication fault | Error between communication of the Climatic transmitter and boiler receiver | Batteries require replacing |
| 59 | Mains supply voltage frequency block | The PCB detects an incorrect mains supply voltage frequency | Check mains power supply Faulty PCB |
| 60 | Pump fault | The pump is stuck or there is an electrical pump fault | Check the pump operation, it may be necessary to free the pump shaft (refer to Section 2.4) Check the pump wiring Replace the pump |
| 61 | Air in the pump | Restricted CH flow due to air or a circuit restriction | Check Flow and Return valves are open Check for correct system pressure Check the system is purged properly |
| 62 | Full boiler calibration required | This may occur when the PCB is replaced or if the parameters are altered in the air/gas section | Carry out full calibration process as described in Section 5.13 |
| 72 | Fast calibration required | The PCB detects that some parameters have been altered | Carry out fast calibration process as described in Section 5.13 |
| 73 | High flow NTC and safety NTC difference detected | The board detects an anomaly in the temperature readings difference between the flow NTC and safety NTC sensors | Faulty flow or safety NTC sensor Check resistance reading on the sensors Poor system circulation or blockage |
| 74 | Safety flow sensor anomaly | The PCB detects an anomaly on the safety NTC sensor | Faulty safety NTC sensor Check resistance reading on sensor Replace the safety NTC sensor |
| 77 78 79 | Anomaly on the gas valve control | An anomaly on the gas valve control is detected | Check the electrode condition, replace if necessary Check the inlet gas pressure is correct and carry out a full calibration process as described in Section 5.13 If the fault persists replace gas valve |

| Error code | Fault | Fault description | Possible causes |
|-------------------|---|--|---|
| 80 | Block - gas valve driver issue | A fault has occurred on the PCB function that controls the gas valve | Check gas valve electrical connection Check gas valve operation Replace gas valve and/or PCB |
| 84 | Combustion fault Boiler operating in reduced output mode | A low supply pressure is detected on the gas line. As a result the appliance output is limited and the error code is displayed | If normal conditions are restored the boiler restarts without having to be reset Check all gas isolation valves are fully open Is the gas supply working pressure is correct Check gas valve operation |
| 87 | Block - gas valve control | A malfunction of one of the components that control the gas valve has been detected | Check PCB and gas valve electrical connections Replace PCB |
| 88 | Block - gas valve control | A malfunction of one of the components that control the gas valve has been detected | Check as above for error code 87 |
| 89 | Flame signal unstable | A malfunction of one of the components of the air/gas circuit - the flame is unstable | Check the flue system is clear with no flue gas recirculation Check electrode condition, replace if necessary Check burner is clean and correctly earthed Carry out a full calibration process as described in Section 5.13 If fault persists replace gas valve and/or PCB |
| 90 | Flame signal beyond limit | The flame signal is beyond the adjustment range required for an extended period of time | Check as above for error code 89 |
| 91 | Block - flame signal lost during ignition | The flame signal is lost repeatedly during ignition | Carry out a full calibration process as described in Section 5.13 If fault persists replace gas valve and/or PCB |
| 92 | Fan speed max. correction | The system has reached the maximum possible correction limit | Check as above for error code 89 |
| 93 | Flame signal beyond limit | The flame signal is beyond the adjustment range required for a limited period of time | Check as above for error code 89 |
| 94 | Fan anomaly due to combustion issues | The anomaly is reported due to issues in the combustion circuit | Check the inlet gas pressure and gas rate are correct Check the flue system is clear with no flue gas recirculation Check electrode condition, replace if necessary Check burner is clean and correctly earthed Carry out a full calibration process as described in Section 5.13 If fault persists replace gas valve and/or PCB |
| 95 | Flame signal discontinuous | Discontinuity is detected in the flame signal due to one of the components of the air/gas circuit | Check the electrode condition and lead, replace if necessary Check the burner is clean and correctly earthed Carry out full calibration process as described in Section 5.13 If the fault persists replace the PCB |
| 96 | Blocked flue or restriction | This occurs in the event an obstruction is detected in the flue system | Check flue and air circuits are clear Check fan function |
| 98 | Block - max. number of software errors | The maximum number of software errors possible has been reached | Reset the boiler power supply Replace the PCB |
| 99 | General block | A boiler anomaly has been detected | Press the boiler 'RESET' button Reset the boiler power supply Replace the PCB |
| -- | Reading out of range | Sensor or parameter setting out of range | Check the flow and DHW sensor resistance is within range Check the parameters are correctly set for boiler model |

10 SHORT PARTS LIST

| Description | Alpha Pt. No. | Qty. |
|--|---------------|------|
| Diverter cartridge | 3.025230 | 1 |
| Pressure gauge | 1.034600 | 1 |
| Condensate trap with seals | 3.024821 | 1 |
| Bottom condensate trap connection | 1.023581 | 1 |
| Flue, primary and safety sensor | 1.033784 | 1 |
| DHW temperature sensor | 1.028395 | 1 |
| Electrode with seal | 3.026147 | 1 |
| Flue turret with seals | 3.025218 | 1 |
| DHW flow switch | 1.035365 | 1 |
| Pump head motor | 1.038162 | 1 |
| Primary heat exchanger assembly | 3.025194 | 1 |
| Burner with seal | 3.025189 | 1 |
| Diverter valve motor | 1.033918 | 1 |
| Pressure switch | 1.027277 | 1 |
| DHW heat exchanger with seals | 3.022783 | 1 |
| Main PCB | 3.026086 | 1 |
| Safety valve 3 bar | 1.028561 | 1 |
| Gas valve with washers | 3.025191 | 1 |
| Automatic air vent with 'O'-ring seal | 1.027110 | 1 |
| Flue manifold pipe assembly and seals | 3.025440 | 1 |
| Relief valve to condensate connecting pipe | 1.037890 | 1 |
| Expansion vessel | 1.034098 | 1 |
| Fan | 3.025195 | 1 |
| Burner seal | 1.031019 | 1 |
| Flue sampling point cap | 3.025820 | 1 |
| Primary heat exchanger vent | 1.025730 | 1 |
| Complete boiler seal kit | 3.025322 | 1 |
| Hydraulic circuit seal kit | 3.025323 | 1 |
| Complete heat exchanger seal kit | 3.025326 | 1 |
| Air/Gas intake seal kit | 3.025324 | 1 |
| Flue circuit seal kit | 3.025325 | 1 |
| Bottom heat exchanger sump assembly | 3.025435 | 1 |
| Air/Gas mixer manifold | 1.035806 | 1 |
| Gas pipe to fan manifold | 1.037823 | 1 |
| Gas pipe 'O' ring | 1.037816 | 1 |
| Clip - Flow/return pipe to heat exchanger | 1.026763 | 1 |
| Clip - Gas pipe connections | 1.020393 | 1 |
| Boiler wall bracket | 2.015350 | 1 |
| Boiler connection kit | 3.025142 | 1 |
| Boiler accessory box complete | 3.025141 | 1 |
| Wall template | 1.035155 | 1 |

11 ENERGY CLASSIFICATION

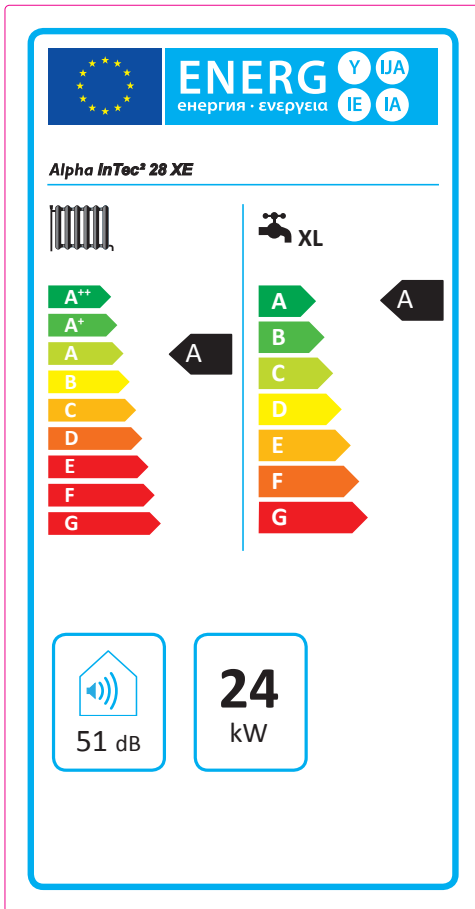
11.1 TECHNICAL PARAMETERS FOR MIXED BOILERS (IN COMPLIANCE WITH REGULATION 813/2013)

The values in the following table refer to the maximum heating output.

| | | | | | | | | |
|---|---------------|--|-----------|--|------------|-------------|---------------------------------------|----|
| Model(s): | | | | Eco ² Plus | | | | |
| Condensing boiler: | | | | YES | | | | |
| Low-temperature boiler: | | | | NO | | | | |
| B1 boiler: | | | | NO | | | | |
| Cogeneration space heater: | | | | NO | | | Equipped with a supplementary heater: | NO |
| Combination heater: | | | | YES | | | | |
| Item | Symbol | Value | Unit | Item | Symbol | Value | Unit | |
| Rated heat output | P_n | 24 | kW | Seasonal space heating energy efficiency | η_s | 92 | % | |
| For boiler space heaters and boiler combination heaters: useful heat output | | | | For boiler space heaters and boiler combination heaters: Useful efficiency | | | | |
| At rated heat output and high temperature regime (*) | P_4 | 24.0 | kW | At rated heat output and high temperature regime (*) | η_4 | 87.7 | % | |
| At 30% of rated heat output and low temperature regime (**) | P_1 | 7.2 | kW | At 30% of rated heat output and low temperature regime (**) | η_1 | 97.4 | % | |
| Auxiliary electricity consumption | | | | Other items | | | | |
| At full load | $e_{l_{max}}$ | 0.037 | kW | Standby heat loss | P_{stby} | 0.072 | kW | |
| At part load | $e_{l_{min}}$ | 0.015 | kW | Ignition burner power consumption | P_{ign} | 0.000 | kW | |
| In standby mode | P_{SB} | 0.005 | kW | Emissions of nitrogen oxides | NO_x | 18 | mg / kWh | |
| For combination heaters: | | | | | | | | |
| Declared load profile | | | XL | Water heating energy efficiency | | η_{WH} | 86 % | |
| Daily electricity consumption | | Q_{elec} | 0.212 kWh | Daily fuel consumption | | Q_{fuel} | 22.544 kWh | |
| Contact details | | Alpha Therm Ltd., Nepicar House, Wrotham Heath, Kent. TN15 7RS | | | | | | |
| (*) High temperature regime means 60°C return temperature at heater inlet and 80°C feed temperature at heater outlet. | | | | | | | | |
| (**) Low temperature means for condensing boilers 30°C, for low-temperature boilers 37°C and for other heaters 50°C return temperature. | | | | | | | | |

11.2 PRODUCT DATA SHEET (IN COMPLIANCE WITH REGULATION 811/2013)

Eco² Plus



| Parameter | value |
|--|--------|
| Yearly energy consumption for the heating function (QHE) | 75 GJ |
| Yearly electricity consumption for the domestic hot water function (AEC) | 47 kWh |
| Yearly fuel consumption for the domestic hot water function (AFC) | 17 GJ |
| Seasonal room heating yield (η_s) | 92 % |
| Domestic hot water production yield (η_{wh}) | 86 % |

11.3 FACSIMILE FOR FILLING IN ROOM HEATING SYSTEM ASSEMBLY CHART

| | | | | | | | | | | | | | | | | | | | | | | | | | | | | | | | |
|--|---|--------------------------|--------------------------|--------------------------|--------------------------|--------------------------|--------------------------|--------------------------|--------------------------|--------------------------|--------------------------|----------|----------|----------|----------|----------|----------|----------|----------------------|-----------------------|------------------------|--------|--------|--------|--------|--------|--------|--------|--------|---------|---------|
| Seasonal space heating energy efficiency of boiler | ① <input type="text" value="'I'"/> % | | | | | | | | | | | | | | | | | | | | | | | | | | | | | | |
| Temperature control From fiche of temperature control | ② <input type="text" value="Class I = 1 %, Class II = 2 %, Class III = 1.5 %, Class IV = 2 %, Class V = 3 %, Class VI = 4 %, Class VII = 3.5 %, Class VIII = 5 %"/> + <input type="text" value=""/> % | | | | | | | | | | | | | | | | | | | | | | | | | | | | | | |
| Supplementary boiler From fiche of boiler | ③ $(\text{ - 'I' }) \times 0,1 = \pm \text{ } %$ | | | | | | | | | | | | | | | | | | | | | | | | | | | | | | |
| Solar contribution | | | | | | | | | | | | | | | | | | | | | | | | | | | | | | | |
| From fiche of solar device | ④ $(\text{ 'III' } \times \text{ } + \text{ 'IV' } \times \text{ }) \times (0,9 \times (\text{ } / 100) \times \text{ } = + \text{ } %$ | | | | | | | | | | | | | | | | | | | | | | | | | | | | | | |
| | <div style="border: 1px solid black; padding: 2px; display: inline-block;"> Collector size (in m²) Tank volume (in m³) Collector efficiency (in %) Tank rating A* = 0.95, A = 0.91 B = 0.86, C = 0.83 D-G = 0.81 </div> | | | | | | | | | | | | | | | | | | | | | | | | | | | | | | |
| Supplementary heat pump From fiche of heat pump | ⑤ $(\text{ - 'I' }) \times \text{ 'II' } = + \text{ } %$ | | | | | | | | | | | | | | | | | | | | | | | | | | | | | | |
| Solar contribution AND Supplementary heat pump | | | | | | | | | | | | | | | | | | | | | | | | | | | | | | | |
| Select smaller value | ⑥ $0,5 \times \text{ } \text{ O } 0,5 \times \text{ } = - \text{ } %$ | | | | | | | | | | | | | | | | | | | | | | | | | | | | | | |
| Seasonal space heating energy efficiency of package | ⑦ <input type="text" value=""/> % | | | | | | | | | | | | | | | | | | | | | | | | | | | | | | |
| Seasonal space heating energy efficiency class of package | | | | | | | | | | | | | | | | | | | | | | | | | | | | | | | |
| <div style="border: 1px solid black; padding: 5px; display: inline-block;"> <table style="border-collapse: collapse; text-align: center;"> <tr> <td><input type="checkbox"/></td><td><input type="checkbox"/></td><td><input type="checkbox"/></td><td><input type="checkbox"/></td><td><input type="checkbox"/></td><td><input type="checkbox"/></td><td><input type="checkbox"/></td><td><input type="checkbox"/></td><td><input type="checkbox"/></td><td><input type="checkbox"/></td> </tr> <tr> <td>G</td><td>F</td><td>E</td><td>D</td><td>C</td><td>B</td><td>A</td><td>A⁺</td><td>A⁺⁺</td><td>A⁺⁺⁺</td> </tr> <tr> <td>< 30 %</td><td>≥ 30 %</td><td>≥ 34 %</td><td>≥ 36 %</td><td>≥ 75 %</td><td>≥ 82 %</td><td>≥ 90 %</td><td>≥ 98 %</td><td>≥ 125 %</td><td>≥ 150 %</td> </tr> </table> </div> | | <input type="checkbox"/> | <input type="checkbox"/> | <input type="checkbox"/> | <input type="checkbox"/> | <input type="checkbox"/> | <input type="checkbox"/> | <input type="checkbox"/> | <input type="checkbox"/> | <input type="checkbox"/> | <input type="checkbox"/> | G | F | E | D | C | B | A | A⁺ | A⁺⁺ | A⁺⁺⁺ | < 30 % | ≥ 30 % | ≥ 34 % | ≥ 36 % | ≥ 75 % | ≥ 82 % | ≥ 90 % | ≥ 98 % | ≥ 125 % | ≥ 150 % |
| <input type="checkbox"/> | <input type="checkbox"/> | <input type="checkbox"/> | <input type="checkbox"/> | <input type="checkbox"/> | <input type="checkbox"/> | <input type="checkbox"/> | <input type="checkbox"/> | <input type="checkbox"/> | <input type="checkbox"/> | | | | | | | | | | | | | | | | | | | | | | |
| G | F | E | D | C | B | A | A⁺ | A⁺⁺ | A⁺⁺⁺ | | | | | | | | | | | | | | | | | | | | | | |
| < 30 % | ≥ 30 % | ≥ 34 % | ≥ 36 % | ≥ 75 % | ≥ 82 % | ≥ 90 % | ≥ 98 % | ≥ 125 % | ≥ 150 % | | | | | | | | | | | | | | | | | | | | | | |
| Boiler and supplementary heat pump installed with low temperature heat emitters at 35°C? | | | | | | | | | | | | | | | | | | | | | | | | | | | | | | | |
| From fiche of heat pump | ⑦ <input type="text" value=""/> + (50 x 'II') = <input type="text" value=""/> % | | | | | | | | | | | | | | | | | | | | | | | | | | | | | | |
| <p><i>The energy efficiency of the package of products provided for in this fiche may not correspond to its actual energy efficiency once installed in a building, as the efficiency is influenced by further factors such as heat loss in the distribution system and the dimensioning of the products in relation to building size and characteristics.</i></p> | | | | | | | | | | | | | | | | | | | | | | | | | | | | | | | |

11.4 ROOM HEATING SYSTEM ASSEMBLY CHART

Seasonal space heating energy efficiency of boiler 1 %

Temperature control
From fiche of temperature control 2 %

Class I = 1 %, Class II = 2 %,
 Class III = 1.5 %, Class IV = 2 %,
 Class V = 3 %, Class VI = 4 %,
 Class VII = 3.5 %, Class VIII = 5 %

Supplementary boiler
From fiche of boiler 3 %

Seasonal space heating energy efficiency (in %)

$$(\text{ } - \text{ }) \times 0,1 = \pm \text{ } \%$$

Solar contribution
From fiche of solar device 4 %

Collector size (in m²)

Tank volume (in m³)

Collector efficiency (in %)

Tank rating
 A* = 0.95, A = 0.91
 B = 0.86, C = 0.83
 D-G = 0.81

$$(\text{ } \times \text{ } + \text{ } \times \text{ }) \times (0,9 \times (\text{ } / 100) \times \text{ } = + \text{ } \%$$

Supplementary heat pump
From fiche of heat pump 5 %

Seasonal space heating energy efficiency (in %)

$$(\text{ } - \text{ }) \times \text{ } = + \text{ } \%$$

Solar contribution AND Supplementary heat pump
Select smaller value 6 %

$$0.5 \times \text{ } \text{ O } 0.5 \times \text{ } = - \text{ } \%$$

Seasonal space heating energy efficiency of package 7 %

Seasonal space heating energy efficiency class of package

| | | | | | | | | | |
|----------|----------|----------|----------|----------|----------|----------|----------------------|-----------------------|------------------------|
| | | | | | | | | | |
| G | F | E | D | C | B | A | A⁺ | A⁺⁺ | A⁺⁺⁺ |
| < 30 % | ≥ 30 % | ≥ 34 % | ≥ 36 % | ≥ 75 % | ≥ 82 % | ≥ 90 % | ≥ 98 % | ≥ 125 % | ≥ 150 % |

Boiler and supplementary heat pump installed with low temperature heat emitters at 35°C?

From fiche of heat pump 7 + (50 x) = %

The energy efficiency of the package of products provided for in this fiche may not correspond to its actual energy efficiency once installed in a building, as the efficiency is influenced by further factors such as heat loss in the distribution system and the dimensioning of the products in relation to building size and characteristics.

11.5 PARAMETERS FOR FILLING IN ASSEMBLY CHART

| Parameter | Eco ² Plus |
|-----------|-----------------------|
| 'I' | 92 |
| 'II' | * |
| 'III' | 1.12 |
| 'IV' | 0.44 |

* To be established by means of table 5 of Regulation 811/2013 in case of "assembly" including a heat pump to integrate the boiler. In this case the boiler must be considered as the main appliance of the assembly.



11.6 DOMESTIC HOT WATER PRODUCTION SYSTEM ASSEMBLY CHART

Water heating energy efficiency of combination heater ① %

Declared load profile:

Solar contribution
From fiche of solar device

Auxiliary electricity
↓

(1.1 x - 10 %) x - = + ② %

Water heating energy efficiency of package under average climate ③ %

Water heating energy efficiency class of package under average climate

| | | | | | | | | | | |
|-------------------------------------|--------------------------|--------------------------|--------------------------|--------------------------|--------------------------|--------------------------|--------------------------|--------------------------|--------------------------|--------------------------|
| | <input type="checkbox"/> | <input type="checkbox"/> | <input type="checkbox"/> | <input type="checkbox"/> | <input type="checkbox"/> | <input type="checkbox"/> | <input type="checkbox"/> | <input type="checkbox"/> | <input type="checkbox"/> | <input type="checkbox"/> |
| | G | F | E | D | C | B | A | A⁺ | A⁺⁺ | A⁺⁺⁺ |
| <input type="checkbox"/> M | < 27 % | ≥ 27 % | ≥ 30 % | ≥ 33 % | ≥ 36 % | ≥ 39 % | ≥ 65 % | ≥ 100 % | ≥ 130 % | ≥ 163 % |
| <input type="checkbox"/> L | < 27 % | ≥ 27 % | ≥ 30 % | ≥ 34 % | ≥ 37 % | ≥ 50 % | ≥ 75 % | ≥ 115 % | ≥ 150 % | ≥ 188 % |
| <input type="checkbox"/> XL | < 27 % | ≥ 27 % | ≥ 30 % | ≥ 35 % | ≥ 38 % | ≥ 55 % | ≥ 80 % | ≥ 123 % | ≥ 160 % | ≥ 200 % |
| <input type="checkbox"/> XXL | < 28 % | ≥ 28 % | ≥ 32 % | ≥ 36 % | ≥ 40 % | ≥ 60 % | ≥ 85 % | ≥ 131 % | ≥ 170 % | ≥ 213 % |

Water heating energy efficiency under colder and warmer climate conditions

Colder: ③ - 0.2 x ② = %

Warmer : ③ + 0.4 x ② = %

The energy efficiency of the package of products provided for in this fiche may not correspond to its actual energy efficiency once installed in a building, as the efficiency is influenced by further factors such as heat loss in the distribution system and the dimensioning of the products in relation to building size and characteristics.

11.7 PARAMETERS FOR FILLING IN DHW PACKAGE ASSEMBLY CHART

| Parameter | Eco ² Plus |
|-----------|-----------------------|
| 'I' | 86 |
| 'II' | * |
| 'III' | * |

* To be determined according to Regulation 811/2014 and transient calculation methods as per Notice of the European Community no. 207/2014.



11.8 FACSIMILE FOR FILLING IN DOMESTIC HOT WATER PRODUCTION SYSTEM ASSEMBLY CHART

Water heating energy efficiency of combination heater ① %

Declared load profile:

Solar contribution
From fiche of solar device

Auxiliary electricity
↓

(1.1 x 'I' - 10 %) x 'II' - 'III' - 'I' = + % ②

Water heating energy efficiency of package under average climate ③ %

Water heating energy efficiency class of package under average climate

| | | | | | | | | | | |
|--|--------------------------|--------------------------|--------------------------|--------------------------|--------------------------|--------------------------|--------------------------|--------------------------|--------------------------|--------------------------|
| | <input type="checkbox"/> | <input type="checkbox"/> | <input type="checkbox"/> | <input type="checkbox"/> | <input type="checkbox"/> | <input type="checkbox"/> | <input type="checkbox"/> | <input type="checkbox"/> | <input type="checkbox"/> | <input type="checkbox"/> |
| | G | F | E | D | C | B | A | A⁺ | A⁺⁺ | A⁺⁺⁺ |

| | | | | | | | | | | | |
|--------------------------|------------|----------|-------------|-------------|-------------|-------------|-------------|-------------|--------------|--------------|--------------|
| <input type="checkbox"/> | M | $< 27\%$ | $\geq 27\%$ | $\geq 30\%$ | $\geq 33\%$ | $\geq 36\%$ | $\geq 39\%$ | $\geq 65\%$ | $\geq 100\%$ | $\geq 130\%$ | $\geq 163\%$ |
| <input type="checkbox"/> | L | $< 27\%$ | $\geq 27\%$ | $\geq 30\%$ | $\geq 34\%$ | $\geq 37\%$ | $\geq 50\%$ | $\geq 75\%$ | $\geq 115\%$ | $\geq 150\%$ | $\geq 188\%$ |
| <input type="checkbox"/> | XL | $< 27\%$ | $\geq 27\%$ | $\geq 30\%$ | $\geq 35\%$ | $\geq 38\%$ | $\geq 55\%$ | $\geq 80\%$ | $\geq 123\%$ | $\geq 160\%$ | $\geq 200\%$ |
| <input type="checkbox"/> | XXL | $< 28\%$ | $\geq 28\%$ | $\geq 32\%$ | $\geq 36\%$ | $\geq 40\%$ | $\geq 60\%$ | $\geq 85\%$ | $\geq 131\%$ | $\geq 170\%$ | $\geq 213\%$ |

Water heating energy efficiency under colder and warmer climate conditions

Colder : ^③ - 0.2 x ^② = %

Warmer : ^③ + 0.4 x ^② = %

The energy efficiency of the package of products provided for in this fiche may not correspond to its actual energy efficiency once installed in a building, as the efficiency is influenced by further factors such as heat loss in the distribution system and the dimensioning of the products in relation to building size and characteristics.

GAS BOILER SYSTEM COMMISSIONING CHECKLIST

This Commissioning Checklist is to be completed in full by the competent person who commissioned the boiler as a means of demonstrating compliance with the appropriate Building Regulations and then handed to the customer to keep for future reference.

Failure to install and commission according to the manufacturer's instructions and complete this Benchmark Commissioning Checklist will invalidate the warranty. This does not affect the customer's statutory rights.

| | |
|---|---------------------------|
| Customer name: | Telephone number: |
| Address: | |
| Boiler make and model: | |
| Boiler serial number: | |
| Commissioned by (PRINT NAME): | Gas Safe register number: |
| Company name: | Telephone number: |
| Company address: | |
| Commissioning date: | |
| To be completed by the customer on receipt of a Building Regulations Compliance Certificate* | |
| Building Regulations Notification Number (if applicable): | |

| CONTROLS (tick the appropriate boxes) | | | |
|---|--|--|------------------------------|
| Time and temperature control to heating | Room thermostat and programmer/timer | | Programmable room thermostat |
| | Load/weather compensation | | Optimum start control |
| Time and temperature control to hot water | Cylinder thermostat and programmer/timer | | Combination Boiler |
| Heating zone valves | Fitted | | Not required |
| Hot water zone valves | Fitted | | Not required |
| Thermostatic radiator valves | Fitted | | Not required |
| Automatic bypass to system | Fitted | | Not required |
| Boiler interlock | | | Provided |

| ALL SYSTEMS | | | |
|--|----------|--|--------|
| The system has been flushed and cleaned in accordance with BS7593 and boiler manufacturer's instructions | Yes | | |
| What system cleaner was used? | | | |
| What inhibitor was used? | Quantity | | litres |
| Has a primary water system filter been installed? | Yes | | No |

| CENTRAL HEATING MODE measure and record: | | | |
|---|--------------------|-----------------------|---------------------|
| Gas rate | m ³ /hr | OR | ft ³ /hr |
| Burner operating pressure (if applicable) | mbar | OR Gas inlet pressure | mbar |
| Central heating flow temperature | | | °C |
| Central heating return temperature | | | °C |

| COMBINATION BOILERS ONLY | | | |
|---|-----|--|----|
| Is the installation in a hard water area (above 200ppm)? | Yes | | No |
| If yes, and if required by the manufacturer, has a water scale reducer been fitted? | Yes | | No |
| What type of scale reducer has been fitted? | | | |

| DOMESTIC HOT WATER MODE Measure and Record: | | | |
|---|--------------------|---------------------------------------|---------------------|
| Gas rate | m ³ /hr | OR | ft ³ /hr |
| Burner operating pressure (at maximum rate) | mbar | OR Gas inlet pressure at maximum rate | mbar |
| Cold water inlet temperature | | | °C |
| Hot water has been checked at all outlets | Yes | | Temperature °C |
| Water flow rate | | | l/min |

| CONDENSING BOILERS ONLY | | | |
|---|-----|--|--|
| The condensate drain has been installed in accordance with the manufacturer's instructions and/or BS5546/BS6798 | Yes | | |

| ALL INSTALLATIONS | | | | | |
|--|--------------------------------|----|-----|-----|--------------------------|
| Record the following: | At max. rate: | CO | ppm | AND | CO/CO ₂ Ratio |
| | At min. rate: (where possible) | CO | ppm | AND | CO/CO ₂ Ratio |
| The heating and hot water system complies with the appropriate Building Regulations | Yes | | | | |
| The boiler and associated products have been installed and commissioned in accordance with the manufacturer's instructions | Yes | | | | |
| The operation of the boiler and system controls have been demonstrated to and understood by the customer | Yes | | | | |
| The manufacturer's literature, including Benchmark Checklist and Service Record, has been explained and left with the customer | Yes | | | | |

| |
|--|
| Commissioning Engineer's Signature |
| Customer's Signature |
| (To confirm satisfactory demonstration and receipt of manufacturer's literature) |

*All installations in England and Wales must be notified to Local Authority Building Control (LABC) either directly or through a Competent Persons Scheme. A Building Regulations Compliance Certificate will then be issued to the customer.



SERVICE RECORD

It is recommended that your heating system is serviced regularly and that the appropriate Service Interval Record is completed.

Service Provider

Before completing the appropriate Service Record below, please ensure you have carried out the service as described in the manufacturer's instructions. Always use the manufacturer's specified spare part when replacing controls.

| | | | | | |
|-----------------------|--------------------------------|----|-----|------------|-------------------|
| SERVICE 01 | | | | | Date: |
| Engineer name: | | | | | |
| Company name: | | | | | |
| Telephone No: | | | | | |
| Gas safe register No: | | | | | |
| Record: | At max. rate: | CO | ppm | AND | CO ₂ % |
| | At min. rate: (Where Possible) | CO | ppm | AND | CO ₂ % |
| Comments: | | | | | |
| Signature | | | | | |

| | | | | | |
|-----------------------|--------------------------------|----|-----|------------|-------------------|
| SERVICE 02 | | | | | Date: |
| Engineer name: | | | | | |
| Company name: | | | | | |
| Telephone No: | | | | | |
| Gas safe register No: | | | | | |
| Record: | At max. rate: | CO | ppm | AND | CO ₂ % |
| | At min. rate: (Where Possible) | CO | ppm | AND | CO ₂ % |
| Comments: | | | | | |
| Signature | | | | | |

| | | | | | |
|-----------------------|--------------------------------|----|-----|------------|-------------------|
| SERVICE 03 | | | | | Date: |
| Engineer name: | | | | | |
| Company name: | | | | | |
| Telephone No: | | | | | |
| Gas safe register No: | | | | | |
| Record: | At max. rate: | CO | ppm | AND | CO ₂ % |
| | At min. rate: (Where Possible) | CO | ppm | AND | CO ₂ % |
| Comments: | | | | | |
| Signature | | | | | |

| | | | | | |
|-----------------------|--------------------------------|----|-----|------------|-------------------|
| SERVICE 04 | | | | | Date: |
| Engineer name: | | | | | |
| Company name: | | | | | |
| Telephone No: | | | | | |
| Gas safe register No: | | | | | |
| Record: | At max. rate: | CO | ppm | AND | CO ₂ % |
| | At min. rate: (Where Possible) | CO | ppm | AND | CO ₂ % |
| Comments: | | | | | |
| Signature | | | | | |

| | | | | | |
|-----------------------|--------------------------------|----|-----|------------|-------------------|
| SERVICE 05 | | | | | Date: |
| Engineer name: | | | | | |
| Company name: | | | | | |
| Telephone No: | | | | | |
| Gas safe register No: | | | | | |
| Record: | At max. rate: | CO | ppm | AND | CO ₂ % |
| | At min. rate: (Where Possible) | CO | ppm | AND | CO ₂ % |
| Comments: | | | | | |
| Signature | | | | | |

| | | | | | |
|-----------------------|--------------------------------|----|-----|------------|-------------------|
| SERVICE 06 | | | | | Date: |
| Engineer name: | | | | | |
| Company name: | | | | | |
| Telephone No: | | | | | |
| Gas safe register No: | | | | | |
| Record: | At max. rate: | CO | ppm | AND | CO ₂ % |
| | At min. rate: (Where Possible) | CO | ppm | AND | CO ₂ % |
| Comments: | | | | | |
| Signature | | | | | |

| | | | | | |
|-----------------------|--------------------------------|----|-----|------------|-------------------|
| SERVICE 07 | | | | | Date: |
| Engineer name: | | | | | |
| Company name: | | | | | |
| Telephone No: | | | | | |
| Gas safe register No: | | | | | |
| Record: | At max. rate: | CO | ppm | AND | CO ₂ % |
| | At min. rate: (Where Possible) | CO | ppm | AND | CO ₂ % |
| Comments: | | | | | |
| Signature | | | | | |

| | | | | | |
|-----------------------|--------------------------------|----|-----|------------|-------------------|
| SERVICE 08 | | | | | Date: |
| Engineer name: | | | | | |
| Company name: | | | | | |
| Telephone No: | | | | | |
| Gas safe register No: | | | | | |
| Record: | At max. rate: | CO | ppm | AND | CO ₂ % |
| | At min. rate: (Where Possible) | CO | ppm | AND | CO ₂ % |
| Comments: | | | | | |
| Signature | | | | | |

| | | | | | |
|-----------------------|--------------------------------|----|-----|------------|-------------------|
| SERVICE 09 | | | | | Date: |
| Engineer name: | | | | | |
| Company name: | | | | | |
| Telephone No: | | | | | |
| Gas safe register No: | | | | | |
| Record: | At max. rate: | CO | ppm | AND | CO ₂ % |
| | At min. rate: (Where Possible) | CO | ppm | AND | CO ₂ % |
| Comments: | | | | | |
| Signature | | | | | |

| | | | | | |
|-----------------------|--------------------------------|----|-----|------------|-------------------|
| SERVICE 10 | | | | | Date: |
| Engineer name: | | | | | |
| Company name: | | | | | |
| Telephone No: | | | | | |
| Gas safe register No: | | | | | |
| Record: | At max. rate: | CO | ppm | AND | CO ₂ % |
| | At min. rate: (Where Possible) | CO | ppm | AND | CO ₂ % |
| Comments: | | | | | |
| Signature | | | | | |

*All installations in England and Wales must be notified to Local Authority Building Control (LABC) either directly or through a Competent Persons Scheme. A Building Regulations Compliance Certificate will then be issued to the customer.



11 BENCHMARK COMMISSIONING and SERVICING

It is a requirement that the boiler is installed and commissioned to the manufacturers instructions and the data fields on the commissioning checklist completed in full.

To investigate the boiler guarantee the boiler needs to be registered with the manufacturer within one month of the installation.

To maintain the boiler guarantee it is essential that the boiler is serviced annually by a Gas Safe registered engineer who has been trained on the boiler installed. The service details should be recorded on the Benchmark Service Interval Record and left with the householder.

12 OPTIONAL BOILER CONTROLS (if fitted)

There is a range of controls available from Alpha to operate your boiler. In addition to the items listed below the Alpha InTec² boilers are compatible with most controls available on the market. However to get the most comfort and efficiency from your boiler we recommend the Alpha Climatic controls with enhanced remote boiler functions and efficiency control.

Please refer to the instructions provided with the controls for further information on their setting and use.

Available Alpha controls:

| | |
|--|--------------------|
| Alpha Easy-Stat wireless programmable room thermostat | Part No. 7.2000050 |
| 24hr mechanical heating clock (boiler mounted) | Part No. 6.1000201 |
| 7 day digital heating clock (boiler mounted) | Part No. 6.1000210 |
| Alpha Comfort 7 day wireless programmable room thermostat (boiler mounted receiver) | Part No. 3.022141 |
| Alpha Climatic wired programmable boiler energy manager | Part No. 3.022144 |
| Alpha Climatic wireless programmable boiler energy manager (boiler mounted receiver) | Part No. 3.022143 |
| External weather compensation probe | Part No. 3.022383 |
| Optional boiler controlled condensate trace heating kit | Part No. 6.5500000 |

10 GAS SAFETY REGULATIONS

Current Gas Safety (Installation and Use) Regulations:-
 It is the law that all gas appliances are installed and serviced by a competent person, i.e. Gas Safe registered personnel. Failure to install or service appliances correctly could lead to prosecution. It is in your interest and that of safety to ensure compliance with the law. The manufacturer's instructions must not be taken in any way as over-riding statutory obligations. The Benchmark Checklist must be fully completed by the installer on installation of the boiler. The Benchmark Checklist is shown in back of the Installation and Servicing instructions. All Gas Safe registered installers carry a Gas Safe ID card and have a registration number. Both should be recorded in the Checklist. You can check your installer is Gas Safe registered by calling Gas Safe on 0800 408 5500.

1. **BOILER LOCATION**
 Always ensure the following clearances are available around the casing of the boiler:-
Top: (horizontal flue) 235 mm, **Top:** (vertical flue) 150 mm, **Bottom:** 150 mm, **Bottom:** (with Jig) 250 mm,
Each side: 5 mm, **Front:** 450 mm
 Do not store any other articles in a cupboard containing the boiler and never place any clothing or combustible material on or near the boiler or flue pipe.
2. FLUE TERMINAL
 The terminal on the outside wall must not be allowed to be obstructed. If it is damaged, in any way, turn the boiler off and contact your Service Engineer.
Note: The Alpha InTec boilers are high efficiency condensing boilers and when operating vapour will be emitted from the terminal. This is safe and quite normal.
3. MAINS FAILURE
 In the event of an electrical supply failure the boiler will not operate. When the supply is restored, the boiler will return to normal operation. Remember to reset any controls, if fitted, when the supply is restored.
 If the mains water supply fails, there will be no hot water from the taps. The boiler will continue to provide central heating.
4. ADDITIONAL BATHROOM FITTINGS
 Any equipment such as mixing valves, showers, bidets etc. must be designed to operate at mains water pressure. Contact your plumbing merchant or installer for advice when considering purchasing such items.
5. CLEANING
 Use only a damp cloth and mild detergent to clean the boiler outer casing. Do not use abrasive cleaners.
6. SERVICING
 To maintain efficient and safe operation of your boiler, routine annual servicing is essential.
 For advice on servicing contact:- The Alpha Helpline: 0844 871 8764.
7. GAS LEAK
 If a fault or gas leak is suspected, turn off the gas supply. Do not touch any electrical switches, do not smoke and extinguish all naked flames. Contact the National Gas Emergency Service immediately on 0800 111 999.
8. ELECTRICAL SUPPLY
 The boiler requires a 230/240 V ~ 50 Hz supply, fused at 3 A. **To connect a plug:-**
 The colour of the wires in the mains lead of the boiler may not correspond with the coloured markings identifying the terminals in your plug. In this case proceed as follows:-
 The wire coloured green and yellow must be connected to the terminal in the plug that is marked with the letter **E**, or by the earth symbol \equiv , or coloured green or yellow.
 The blue wire must be connected to the terminal which is marked with either the letter **N** or coloured black.
 The brown wire must be connected to the terminal which is marked with the letter **L** or coloured red.
THE APPLIANCE MUST BE EARTHED.

9 IMPORTANT NOTES

| Error code | Fault | Fault description | Possible causes |
|------------|---|--|---|
| 80 | Block - gas valve driver issue | A fault has occurred on the PCB function that controls the gas valve | Check gas valve electrical connection Check gas valve operation Replace gas valve and/or PCB |
| 84 | Combustion fault Boiler operating in reduced output mode | A low supply pressure is detected on the gas line. As a result the appliance output is limited and the error code is displayed | If normal conditions are restored the boiler restarts without having to be reset Check all gas isolation valves are fully open Is the gas supply working pressure is correct Check gas valve operation |
| 87 | Block - gas valve control | A malfunction of one of the components that control the gas valve has been detected | Check PCB and gas valve electrical connections Replace PCB |
| 88 | Block - gas valve control | A malfunction of one of the components that control the gas valve has been detected | Check as above for error code 87 |
| 89 | Flame signal unstable | A malfunction of one of the components of the air/gas circuit - the flame is unstable | Check the flue system is clear with no flue gas recirculation Check electrode condition, replace if necessary Check burner is clean and correctly earthed Carry out a full calibration process as described in Section 5.13 If fault persists replace gas valve and/or PCB |
| 90 | Flame signal beyond limit | The flame signal is beyond the adjustment range required for an extended period of time | Check as above for error code 89 |
| 91 | Block - flame signal lost during ignition | The flame signal is lost repeatedly during ignition | Carry out a full calibration process as described in Section 5.13 If fault persists replace gas valve and/or PCB |
| 92 | Fan speed max. correction | The system has reached the maximum possible correction limit | Check as above for error code 89 |
| 93 | Flame signal beyond limit | The flame signal is beyond the adjustment range required for a limited period of time | Check as above for error code 89 |
| 94 | Fan anomaly due to combustion issues | The anomaly is reported due to issues in the combustion circuit | Check the inlet gas pressure and gas rate are correct Check the flue system is clear with no flue gas recirculation Check electrode condition, replace if necessary Check burner is clean and correctly earthed Carry out a full calibration process as described in Section 5.13 If fault persists replace gas valve and/or PCB |
| 95 | Flame signal discontinuous | Discontinuity is detected in the flame signal due to one of the components of the air/gas circuit | Check the electrode condition and lead, replace if necessary Check the burner is clean and correctly earthed Carry out full calibration process as described in Section 5.13 If the fault persists replace the PCB |
| 96 | Blocked flue or restriction | This occurs in the event an obstruction is detected in the flue system | Check flue and air circuits are clear Check fan function |
| 98 | Block - max. number of software errors | The maximum number of software errors possible has been reached | Reset the boiler power supply Replace the PCB |
| 99 | General block | A boiler anomaly has been detected | Press the boiler 'RESET' button Reset the boiler power supply Replace the PCB |
| - - | Reading out of range | Sensor or parameter setting out of range | Check the flow and DHW sensor resistance is within range Check the parameters are correctly set for boiler model |

| Error code | Fault | Fault description | Possible causes |
|----------------|--|---|---|
| 36 | BUS connection fault | Not used on this model | |
| 37 | Low supply voltage | Insufficient supply voltage to operate boiler | Check mains power supply Check for bad cable connections etc |
| 38 | Loss of flame recognition | Flame detected but signal lost. Ignition retries after fan purge | Check flame sensing electrode and lead Check the gas valve Check flue system and termination Check gas supply/working pressure Check/adjust combustion settings |
| 43 | Loss of flame recognition | Repeated loss of flame signal during operation This fault can occur if the flue is exposed to high wind conditions (shown as E38 in the fault code history in the INFC menu) | Check as above for error code 38 |
| 44 | Safety lock out Low supply voltage | The boiler has attempted to fire repeatedly for the maximum time limit | Check external control (room thermostat) requests Rapid on/off tap requests |
| 46 | Optional external safety sensor intervention | No continuity on external sensor circuit Check link is present in external connections 14 and 15 or if fitted external safety device has activated | Check external sensor and cable are not damaged or wet Check continuity of external sensor and circuit Check connections 14 and 15 on connection panel |
| 47 | Reduced burner output | Flue thermostat has sensed high flue gas temperature (110°C) and reduced the burner output to prevent damage. If the temperature continues to rise the boiler will lock out and E03 will be displayed | Air in heat exchanger Restricted primary flow Heat exchanger air flow blocked Flue restriction Flue sensor fault Pump fault |
| 51 | Climatic RF communication fault | Error between communication of the Climatic transmitter and boiler receiver | Batteries require replacing |
| 59 | Mains supply voltage frequency block | The PCB detects an incorrect mains supply voltage frequency | Check mains power supply Faulty PCB |
| 60 | Pump fault | The pump is stuck or there is an electrical pump fault | Check the pump operation, it may be necessary to free the pump shaft (refer to Section 2.4) Check the pump wiring Replace the pump |
| 61 | Air in the pump | Restricted CH flow due to air or a circuit restriction | Check Flow and Return valves are open Check for correct system pressure Check the system is purged properly |
| 62 | Full boiler calibration required | This may occur when the PCB is replaced or if the parameters are altered in the air/gas section | Carry out full calibration process as described in Section 5.13 |
| 72 | Fast calibration required | The PCB detects that some parameters have been altered | Carry out fast calibration process as described in Section 5.13 |
| 73 | High flow NTC and safety NTC difference detected | The board detects an anomaly in the temperature readings difference between the flow NTC and safety NTC sensors | Faulty flow or safety NTC sensor Check resistance reading on the sensors Poor system circulation or blockage |
| 74 | Safety flow sensor anomaly | The PCB detects an anomaly on the safety NTC sensor | Faulty safety NTC sensor Check resistance reading on sensor Replace the safety NTC sensor |
| 77 78 79 | Anomaly on the gas valve control | An anomaly on the gas valve control is detected | Check the electrode condition, replace if necessary Check the inlet gas pressure is correct and carry out a full calibration process as described in Section 5.13 If the fault persists replace gas valve |

8 OPERATIONAL FAULTS

The InTec range of boilers are fitted with a fault code display feature:

If a fault occurs a fault code will be displayed in the LCD display screen (item 14 in Fig. 1), indicated with an alternating flashing E followed by the fault code. A list of fault codes are given in the table below.

In the event of a fault occurring firstly check that the gas and electricity supplies are on and that any external controls fitted are set and working correctly.

Press the reset button (item 3 in Fig. 1) on the control panel to restart the boiler if the fault occurs again, make a note of the fault code and contact your installer or Alpha technical Helpline for further advice.

If any fault or anomaly persists, contact Alpha Heating Innovation Technical Helpline.

The history of errors can be viewed in the 'INFO' menu - d9

| Error code | Fault | Fault description | Possible causes |
|----------------|--|---|---|
| 01 | Ignition failure | Flame not detected during ignition sequence | Gas supply Check ignition/sensing electrode Ignition generator or lead Gas valve operation Check PCB and wire connections Flue restriction or blockage |
| 02 | Overheat boiler lock out | Overheat sensor has activated | Pump or restricted flow problem Blocked heat exchanger Air in heat exchanger |
| 03 | High flue temperature | Flue sensor intervention (flue temperature too high) | Blocked or restricted primary flow Heat exchanger air flow blocked Flue restriction Flue sensor fault Air in primary heat exchanger |
| 04 | Gas valve electrical connection fault | Gas valve wiring circuit fault detected | Gas valve lead connection fault Faulty gas valve Faulty PCB |
| 05 | CH flow sensor fault | Incorrect flow sensor resistance value | Flow sensor wire connections or sensor faulty |
| 06 | DHW sensor fault | DHW sensor resistance value is incorrect | DHW sensor wiring connection or sensor faulty |
| 08 | Max. number of resets | Maximum number of resets reached (5) | Refer to fault history codes (INFO menu d9) |
| 10 | Primary system pressure low | Primary pressure switch has operated | Check expansion vessel pressure (1 bar) Leak in system Expansion relief valve operated Primary pressure switch |
| 12 15 23 | Incorrect configuration | Incorrect hydraulic configuration There is an inconsistency between the settings and signals received from the PCB | Check the settings of the 'A' family parameters |
| 16 | Fan fault | Fan wiring fault or fan faulty | Check fan wiring connections Fan fault PCB fault |
| 20 | Flame sensing fault | False flame detection Flame detected but gas valve is not open | Check flame sensing electrode and lead Electrical short circuit on sensing wires PCB fault |
| 24 | Control panel button fault | Control panel button stuck in the on position | Check for jammed control panel buttons Check for jammed PCB buttons |
| 29 | Flue sensor fault | Flue sensor resistance out of range | Check sensor wiring and connections Check sensor resistance |
| 31 | Loss of communication with external control (Alpha Climatic) | Loss of connection between the boiler and Alpha Climatic control unit | Remote control or receiver fault Distance or interference of RF signal Remote control or receiver connection wiring (Check batteries if using RF controller) |

7 CONDENSATE DRAINAGE

High efficiency (condensing) boilers remove more useful heat from the combustion gases, resulting in additional water vapour which is collected within the boiler (as condensate) and run to a suitable drainage point via the condensate drainage pipe. Where possible the condensate drain should be connected internally to a waste pipe within the property to prevent the risk of freezing. If the condensate drain pipe runs outside it should be fitted with increased diameter pipe and be suitably lagged to reduce the risk from freezing. In situations where there are likely to be extremes of temperature or wind-chill the use of a proprietary trace-heating system for external condensate drainage pipework, incorporating an external frost thermostat, should be considered.

6 FROST PROTECTION

The boiler has a built in frost protection function to protect the boiler (only) from freezing. If water within the boiler falls below 4°C the boiler will fire in heating mode and raise the temperature of the heating water (in the boiler only) to 30°C. For this function to be active the gas and electricity supplies to the boiler must be turned on and the boiler be in either 'Standby' or 'On' mode. Further protection for the mains water supply and heating circuit must be provided separately. If Alpha external controls are fitted, a frost protection setting is incorporated into the room thermostat activating the central heating when the temperature falls below 5°C.

| Info Menu (d - prefix) | Information | Units Shown |
|---------------------------|--|----------------|
| d0 | Not used | |
| d1 | Flame signal | kOhm/10 |
| d2 | Central heating water temperature leaving the boiler | °C |
| d3 | Domestic hot water temperature leaving the boiler | °C |
| d4 | Central heating set point temperature | °C |
| d5 | Domestic hot water set point temperature | °C |
| d6 | External weather compensation probe temperature (value flashes if negative) | °C |
| d7 | Mains inlet temperature or FlowSmart cylinder temperature (if sensor fitted) | °C |
| d8 | Not used | |
| d9 | Fault history - by rotating the CH knob (item 6 in Fig. 5.1) in this menu the last five faults will be displayed | Error code |
| d10 | Fault history reset - when in this menu, pressing the reset button will clear the fault code history | |
| d11 | Overheat sensor reading | °C |
| d12 | Pump speed (0 = OFF, 1,2,3,4,5,6,7,8,9) | Speed level |
| d13 | Not used | |
| d14 | CH flow | l/h/100 |
| d15 | Fan speed during current operation | rpm/100 |
| d16 | Flue sensor reading | °C |

5 INFORMATION MENU

By pressing the info button (item 4 in Fig. 1) the information menu is accessed this will then show the information according to the table below.

Summer setting - The boiler will only provide hot water when a tap is turned on and the central heating will not activate even if requested by external controls (frost protection and pump cycle are still active).


Winter setting - The boiler will operate in both heating and hot water. The heating will activate depending on the time and temperature from any heating controls fitted. Hot water will always take priority over heating when a hot outlet tap is opened.

3 HEATING AND HOT WATER TEMPERATURE

The temperature of the hot water to the taps can be adjusted by turning the hot water selector switch (item 5 in Fig. 1) to the required value shown on the display in °C.

When a tap is opened the display will indicate the temperature of water in the boiler heating the tap water and not the actual water temperature to the tap.

The temperature of the central heating water can be adjusted by turning the central heating selector switch (item 6 in Fig. 1). When the heating is on the temperature of the water leaving the boiler to the radiators will be displayed.

If an external weather compensation probe is fitted, indicated by the  symbol (item 18 in Fig. 1) in the display, it will automatically vary the temperature of the water in the radiators and on a mild day the radiators will not feel as hot as on a cold day, this is normal and not a fault with the boiler or heating circuit. The room temperature will still be maintained as set by the room thermostat.

When an external weather probe is fitted, the central heating selector switch (item 6 in Fig. 1) will no longer adjust the flow temperature in °C, instead the display will show a scale of 1 to 9. Each number corresponds to a line on the graph in Fig 2 i.e. line 6 will give a flow temperature of 60°C when the external temperature is 10°C.

Note: This is the temperature of the water supplied to the radiators and not the desired room temperature. The time and temperature will still be maintained according to the setting of the room thermostat.

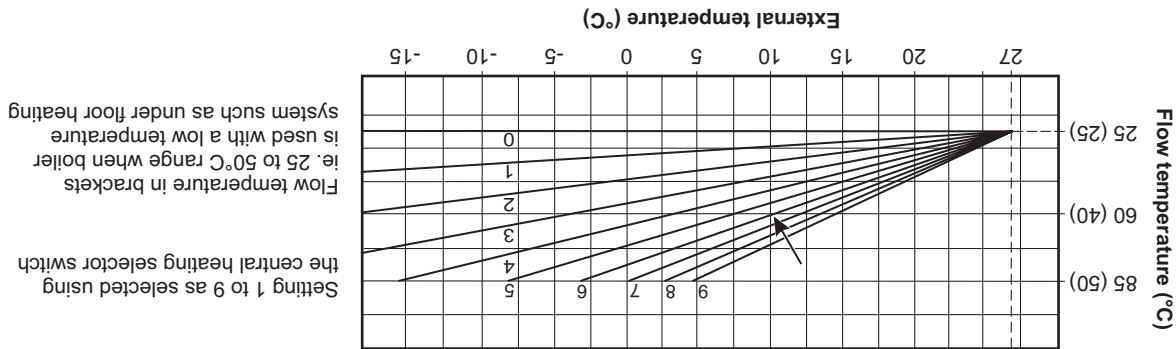


Fig. 2 - External weather compensation probe fitted

4 FILL AND PRESSURISE THE SYSTEM

Eco² models should have a filling loop fitted by the installer located in the pipework below the boiler. Do not attempt to fill or pressurise the system while the system is hot - wait for it to cool.

The filling loop will have a tap connection at either end. These taps should normally be in the closed position 90° to the tap housing.

To fill or pressurise the system open one tap fully by turning it 90° anticlockwise in line with the tap housing. The second tap should be opened a quarter of a turn and the water will start to refill the system (water should be heard filling the system). You should see the pressure gauge (item 7 in Fig. 1) rise back up into the green area on the pressure gauge between 1 bar and 1.5 bar pressure.

Once the pressure gauge is in the green area turn the taps back to the off position and the water will stop filling the system. If you happen to fill the system too much and the pressure gauge needle is over the green area, just bleed water from a radiator until the pressure on the gauge goes down into the green area.

It is normal for the pressure to be in the black area of the gauge when the boiler is operating

1 INTRODUCTION

The Alpha Eco² range of high efficiency condensing boilers incorporate the latest technology in boiler design. With improved burner efficiency and reduced electrical consumption together with high quality and reliability.

The boiler output will automatically adjust according to the requirements of the system.

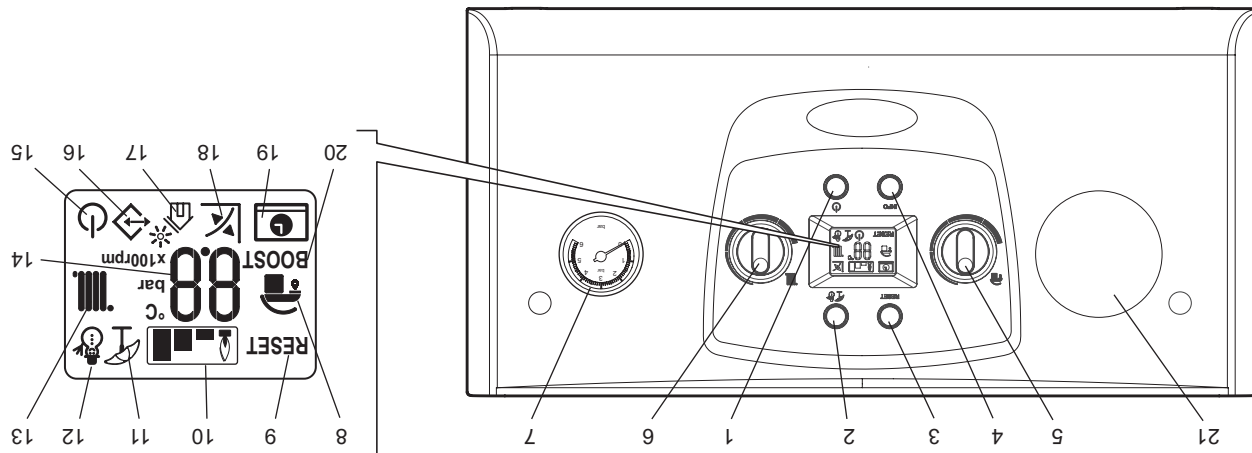
The Eco² range are designed to work with most central heating controls however we recommend the Alpha Comfort or Easy-Stat standard controls or the enhanced Alpha Climatic boiler energy manager further improving the system efficiency by varying the system temperature depending on the room temperature and heat losses.

In addition all Eco² models feature optional connections for an outside sensor to enable the boilers built in weather compensation feature.

The boilers will provide central heating when required during the on times as set according to the controls fitted. Hot water will always take priority over the central heating whenever a hot tap is opened.

2 OPERATING THE BOILER

The boiler controls are located on the control panel. Make sure the heating system is filled and the needle on the pressure gauge (item 7 in Fig. 1) is in the green band when cold. If incorrect refer to Section 4.



- | | | | |
|---|---|----|---|
| 1 | On-Off/Standby button | 9 | Boiler locked, requires reset via 'RESET' button |
| 2 | Summer/Winter button | 10 | Flame present symbol and relative power scale |
| 3 | Reset button | 11 | Operating in summer mode |
| 4 | Information button | 12 | Operating in winter mode (optional) |
| 5 | Domestic hot water temperature selector switch | 13 | Central heating mode active |
| 6 | Central heating water temperature selector switch | 14 | Temperature indicator, boiler info and error codes |
| 7 | Heating system pressure gauge | 15 | Boiler in Stand-by mode |
| 8 | DHW mode active | 16 | Presence of external connected devices |
| | | 17 | Solar function active |
| | | 18 | Functioning with external temperature probe active (optional) |
| | | 19 | Boiler connected to remote control (optional) |
| | | 20 | Not used on this model |
| | | 21 | Optional boiler controls (if fitted) |

Fig. 1

Switch the boiler on at the mains supply socket switch. The boiler will automatically go through a system purging operation for 8 minutes; this is indicated by a count down on the display starting from 96. During this operation the pump will turn on and off to help remove any air that may be trapped in the heating system. If the boiler has already been commissioned by the installer then this operation can be terminated by pressing the reset button (item 3 in Fig. 1).

Note: It is important to allow this purging operation to function when the boiler has been initially installed to remove all the air from the system.

After this purging operation the boiler will be in 'Standby' or 'On' mode.

By pressing the On-Off button (item 1 in Fig. 1) the Standby or On mode can be selected, or press and hold the On-Off button for eight seconds to turn the boiler off.

Standby - In this mode the boiler will not provide hot water or central heating, but frost protection and pump circulation features are still active.

Off - In this mode there is electrical power to the boiler but the boiler will not function in any condition.

On - In this mode the boiler can be switched between 'Summer' or 'Winter' settings by pressing the Summer/Winter button (item 2 in Fig. 1).

User

Instructions

Eco² Plus

Wall Mounted, Fan Assisted, Room Sealed,
Gas Fired, High Efficiency Condensing Combination Boiler

For Technical help or for Service call ...
ALPHA HELPLINE Tel: 0844 871 8764
website: www.alpha-innovation.co.uk

Alpha
HEATING INNOVATION

Nepicar House, London Road,
Wrotham Heath, Sevenoaks,
Kent TN15 7RS



Set for use with Natural Gas

Leave these instructions with the User